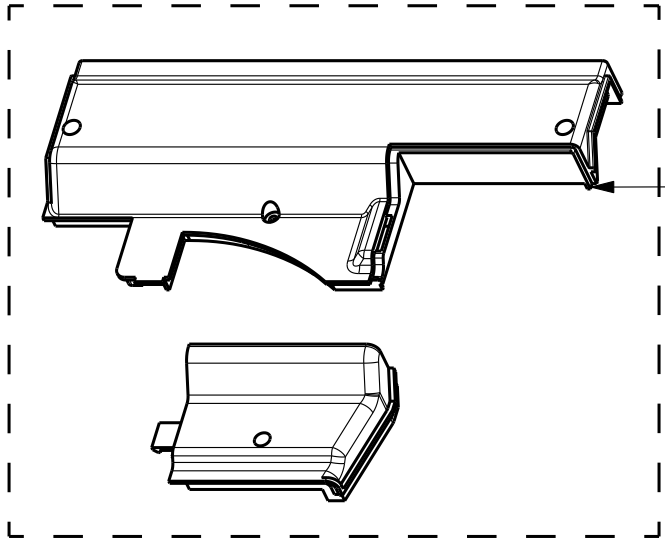


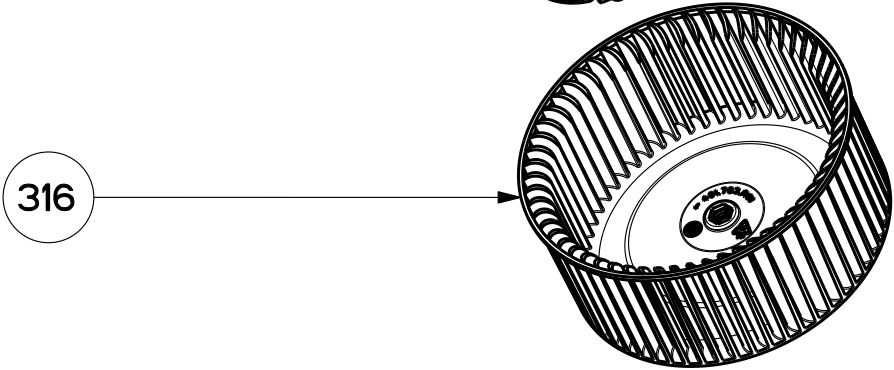
314



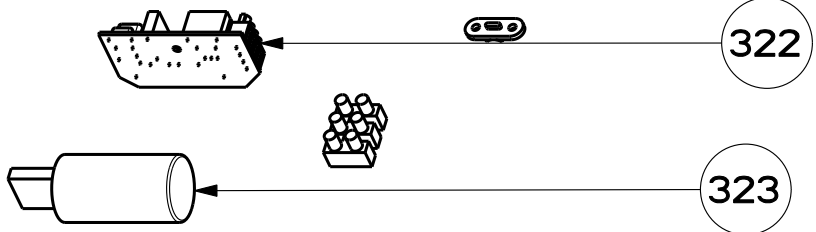
310



315

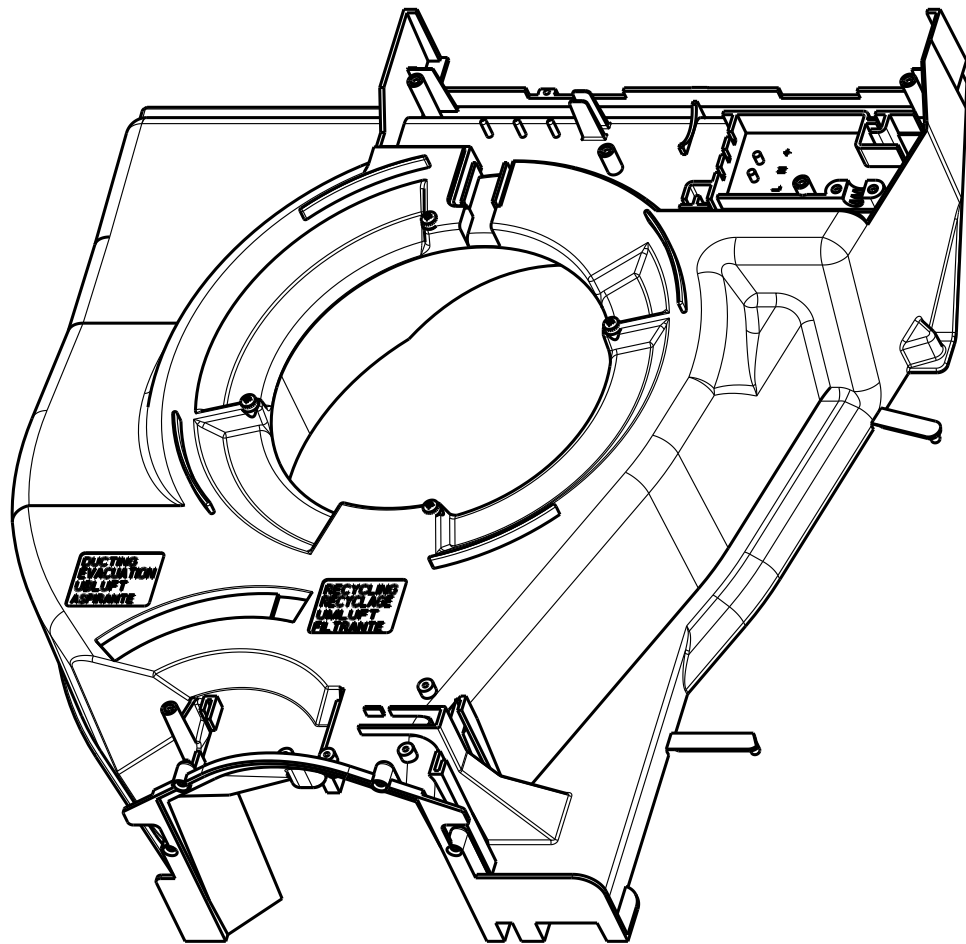


316

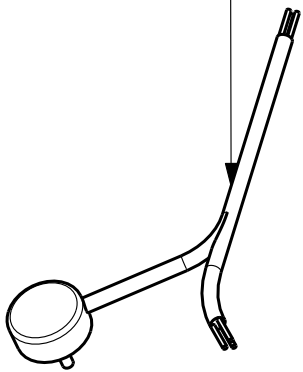


322

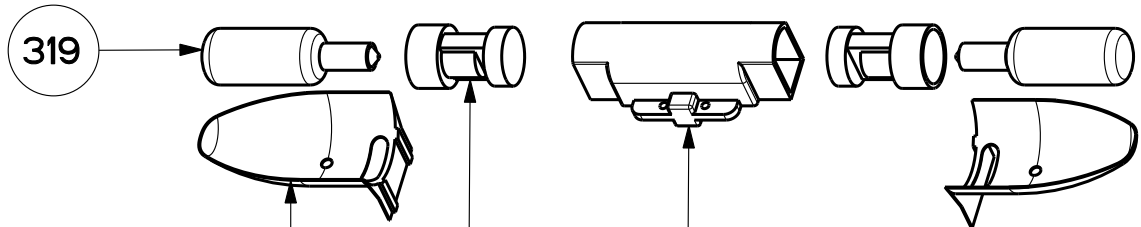
323



302



301



319

320

318

321

Created by <b>Solutions</b>	
Denomination <b>EXPLODED 1M M19 2L</b>	
Rif.	
Modif.by	
Approved by <b>Galassi, Raffaele</b>	
Approval date <b>31-Aug-2018</b>	
Doc. status <b>Released</b>	
Drawing N. <b>700_845</b>	Rev <b>01</b>