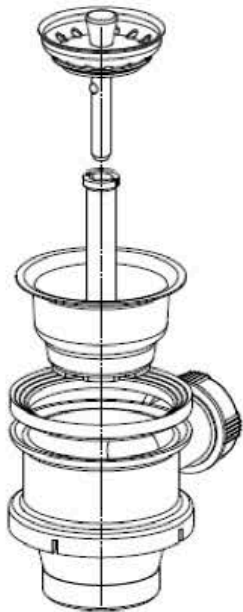


# Ablaufgarnitur MTK 651-100 **FRANKE**

133.0395.082

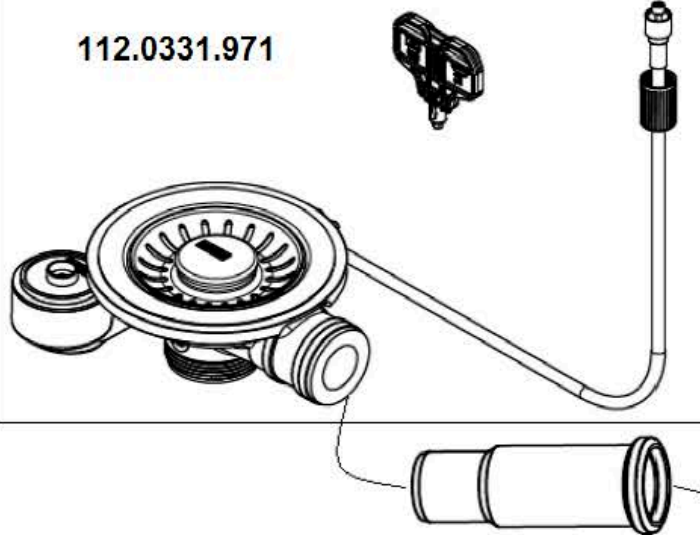


133.0391.835

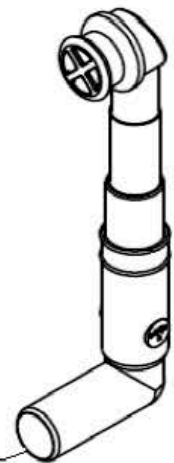
Push-knob  $\varnothing$  35  
Stainless steel finish



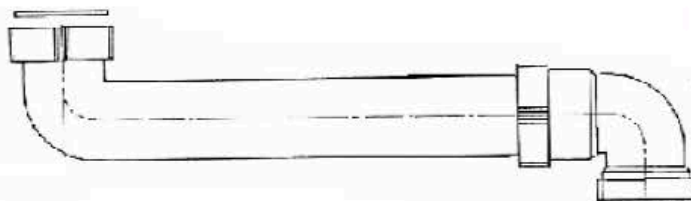
112.0331.971



133.0336.623



133.0336.625



112.0006.411

133.0006.408

