
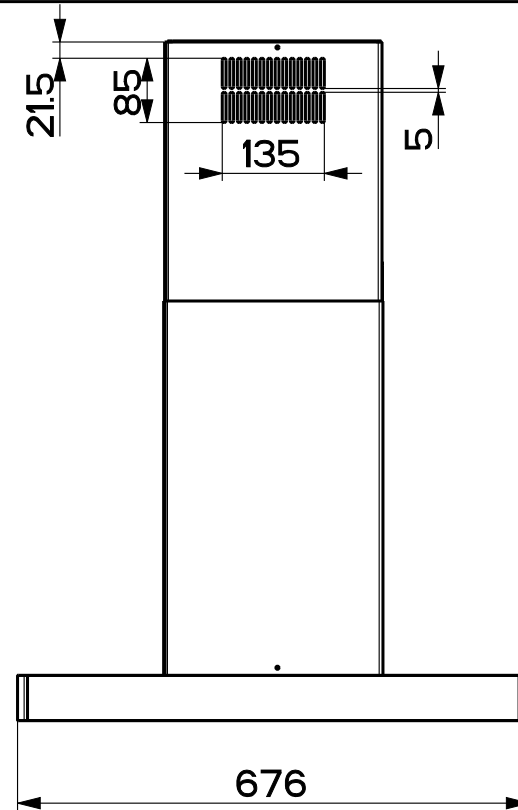
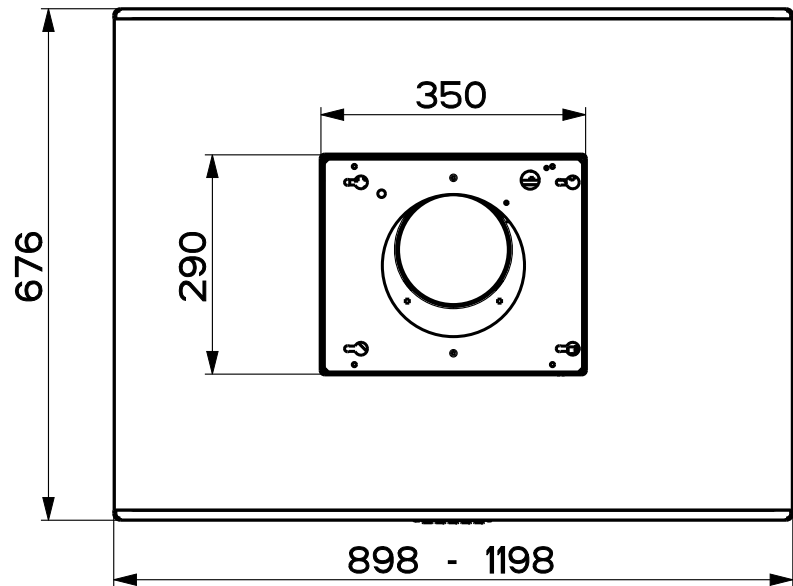
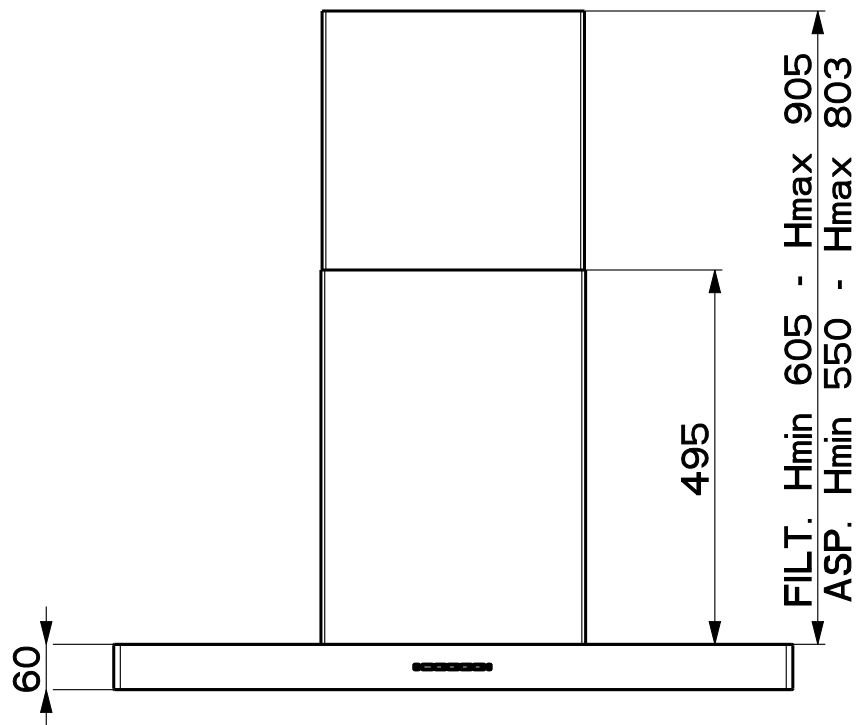
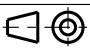


Created by <b>KAD3</b>	
Denomination <b>DIMENSIONAL DRAWING A26 K36</b>	
Lang <b>EN</b> 	Sheet <b>1/2</b>
Modif.by <b>KAD3</b>	
Approved by <b>Sagrati, Filippo</b>	
Approval date <b>05-Aug-2019</b>	
Doc. status <b>Released</b>	
Drawing N. <b>A26_797</b>	Rev <b>02</b>



Created by <b>KAD3</b>	
Denomination <b>DIMENSIONAL DRAWING A26 K36</b>	
Lang <b>EN</b> 	Sheet <b>2/2</b>
Modif.by <b>KAD3</b>	
Approved by <b>Sagrati, Filippo</b>	
Approval date <b>05-Aug-2019</b>	
Doc. status <b>Released</b>	
Drawing N. <b>A26_797</b>	Rev <b>02</b>