
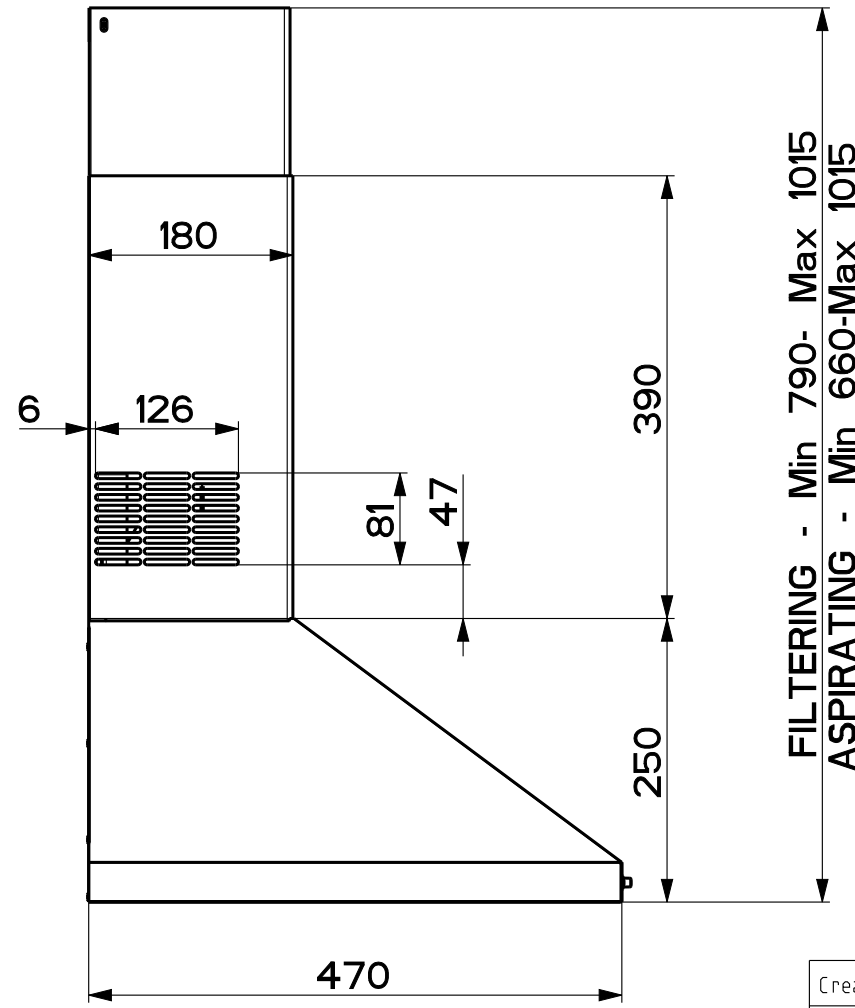
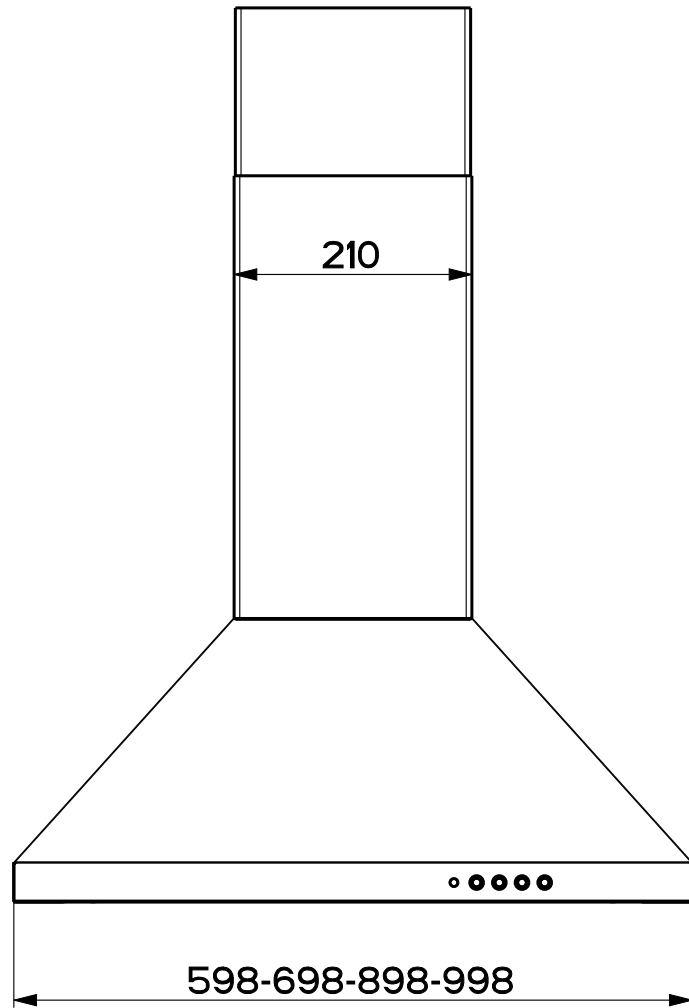
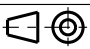


Created by Solutions	
Denomination DIMENSIONAL DRAWING PB CH.400F+400A	
Lang EN 	Sheet 1/2
Modif. by Solutions	
Approved by Romani, Fabio	
Approval date 02-Dec-2019	
Doc. status Released	
Drawing N. 13B_901	Rev 03



FILTERING - Min 790- Max 1015
 ASPIRATING - Min 660-Max 1015

Created by Solutions	
Denomination DIMENSIONAL DRAWING PB CH.400F/400A	
Lang EN 	Sheet 2/2
Modif.by	
Approved by Romani, Fabio	
Approval date 02-Dec-2019	
Doc. status Released	
Drawing N. 13B_901	Rev 03