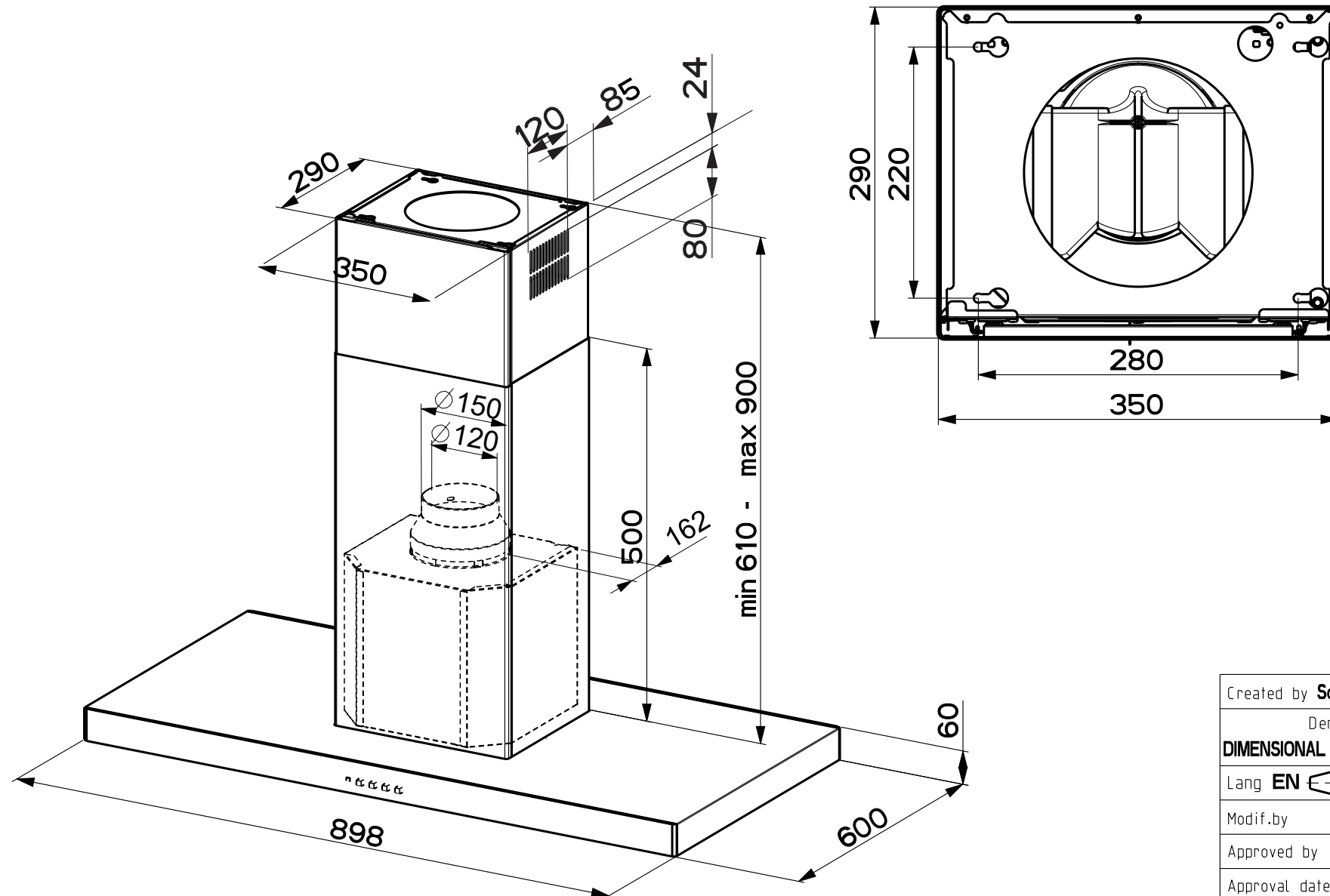


Created by Solutions	
Denomination DIMENSIONAL DRAWING IS 90-120	
Lang EN	Sheet 1/2
Modif.by Solutions	
Approved by	
Approval date	
Doc. status	KAD3
Drawing N.	08-Feb-2019
A26_908	01
Released	



Created by Solutions	
Denomination DIMENSIONAL DRAWING IS 90-120	
Lang EN	Sheet 2/2
Modif.by	
Approved by	
Approval date	
Doc. status	KAD3
Drawing N.	08-Feb-2019
A26_908	01
Released	