
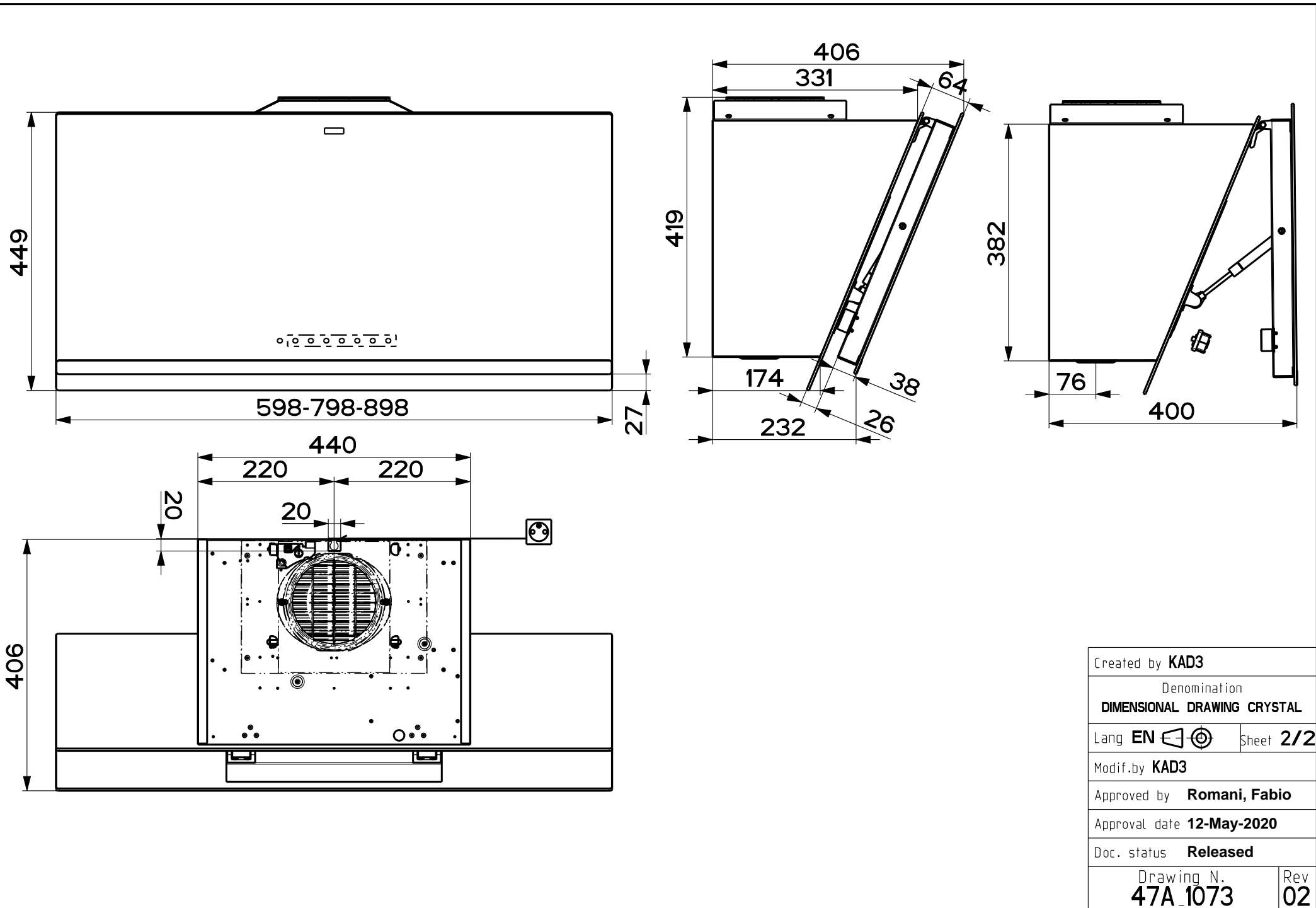
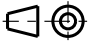


Created by KAD3	
Denomination DIMENSIONAL DRAWING CRYSTAL	
Lang EN 	Sheet 1/2
Modif.by KAD3	
Approved by Romani, Fabio	
Approval date 12-May-2020	
Doc. status Released	
Drawing N. 47A_1073	Rev 02



Created by KAD3	
Denomination DIMENSIONAL DRAWING CRYSTAL	
Lang EN 	Sheet 2/2
Modif.by KAD3	
Approved by Romani, Fabio	
Approval date 12-May-2020	
Doc. status Released	
Drawing N. 47A_1073	Rev 02