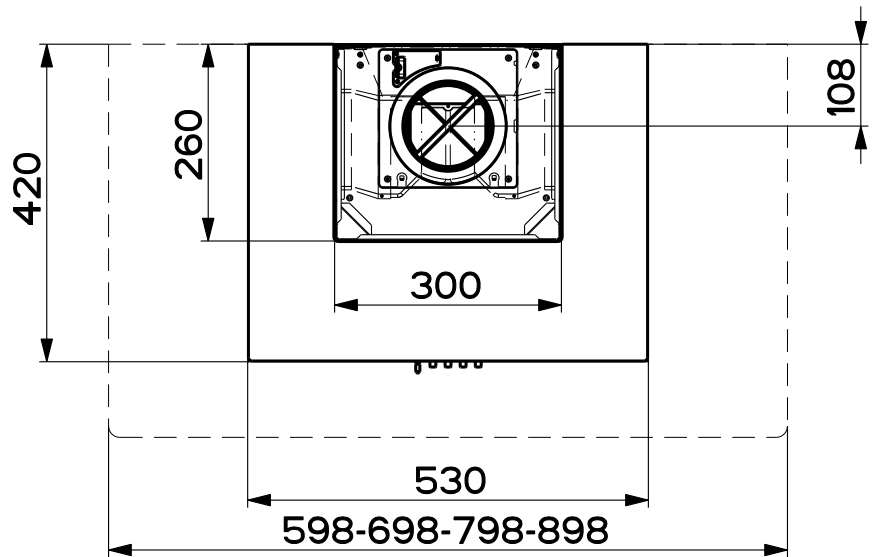
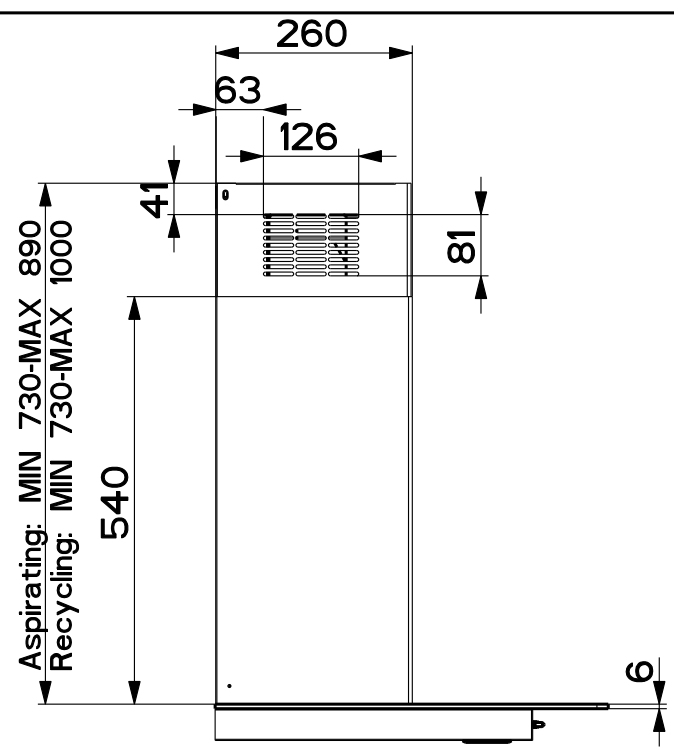
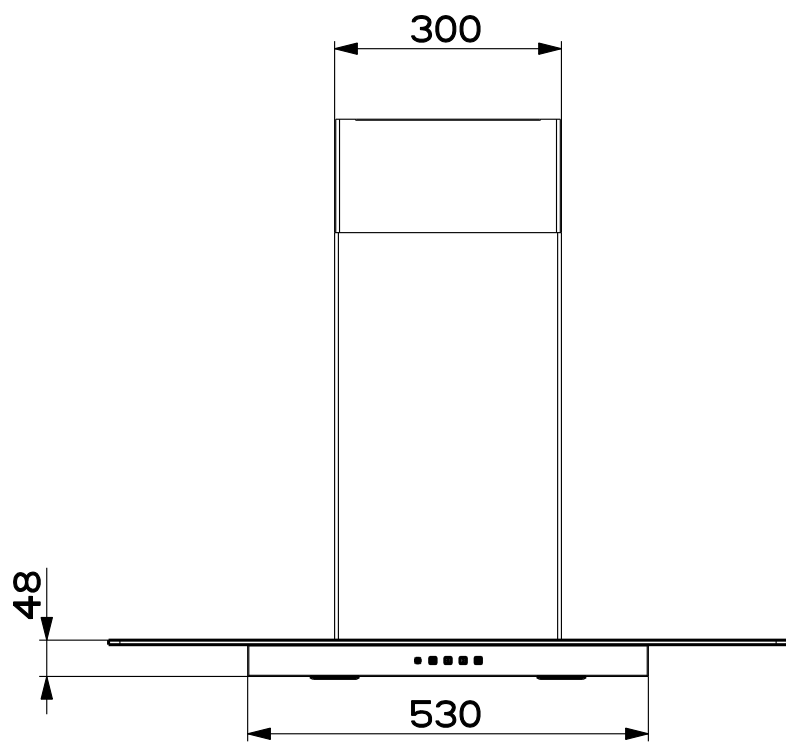


Aspirating: MIN 730 - MAX 890
 Recycling: MIN 730 - MAX 1000

Created by Perelli, Francesco	
Denomination DIMENSIONAL DRAWING CHM LOW A540 - UP F470	
Lang EN	Sheet 1/2
Modif.by tcimport	
Approved by Bellucci, Daniele	
Approval date 12-Feb-2018	
Doc. status Released	
Drawing N. A39_817	Rev 03



Created by Perelli, Francesco	
Denomination DIMENSIONAL DRAWING CHM LOW A540 - UP F470	
Lang EN	Sheet 2/2
Modif.by tcimport	
Approved by Bellucci, Daniele	
Approval date 12-Feb-2018	
Doc. status Released	
Drawing N. A39_817	Rev 03