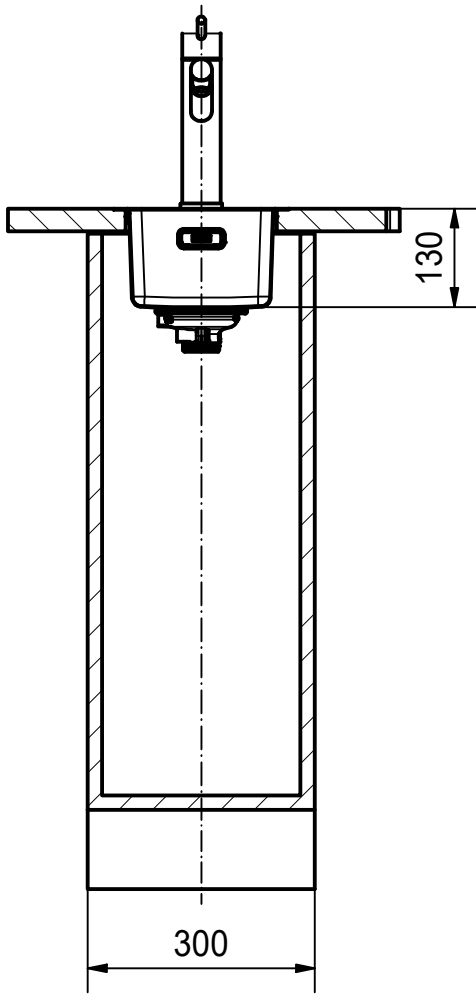


DF



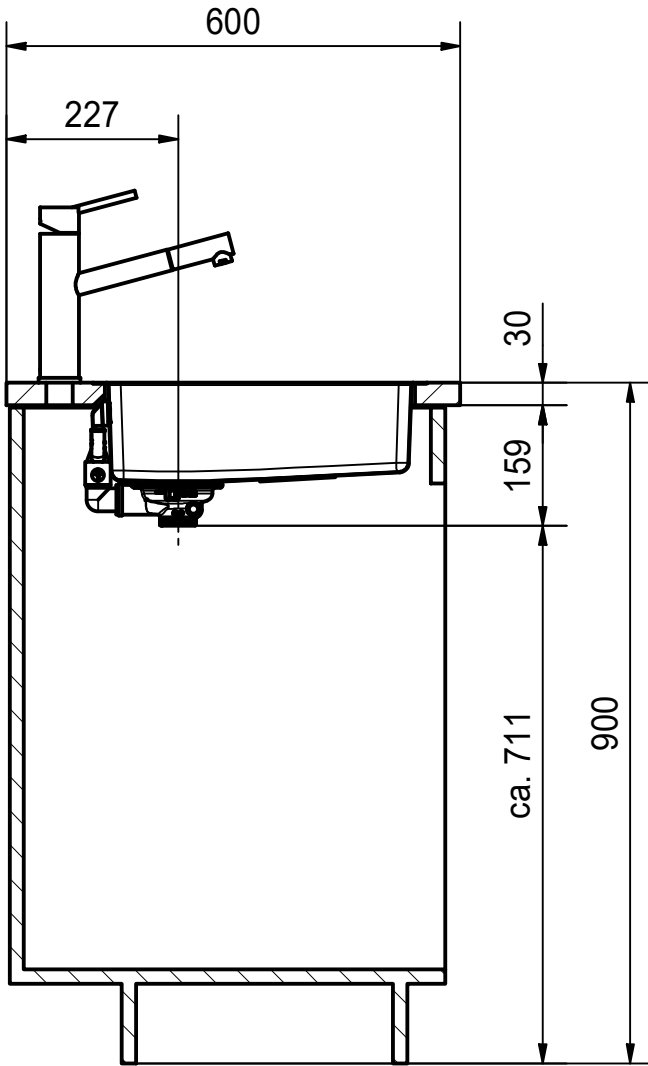
| | | | |
|--|------------|----------|---|
| Drawing No. | 20118070 | Revision | - |
| Drawn Date | 26.01.2018 | | |
| <small>These drawings and specifications are the property of Franke Technology and Trademark Ltd. and shall not be reproduced, copied or transferred to any third party without the prior written permission of Franke Technology and Trademark Ltd., Hergiswil, Switzerland</small> | | | |



MRX 210-19 SI
installing document

| | |
|-------|--------|
| Sheet | Sheets |
| 1 | 6 |

DS



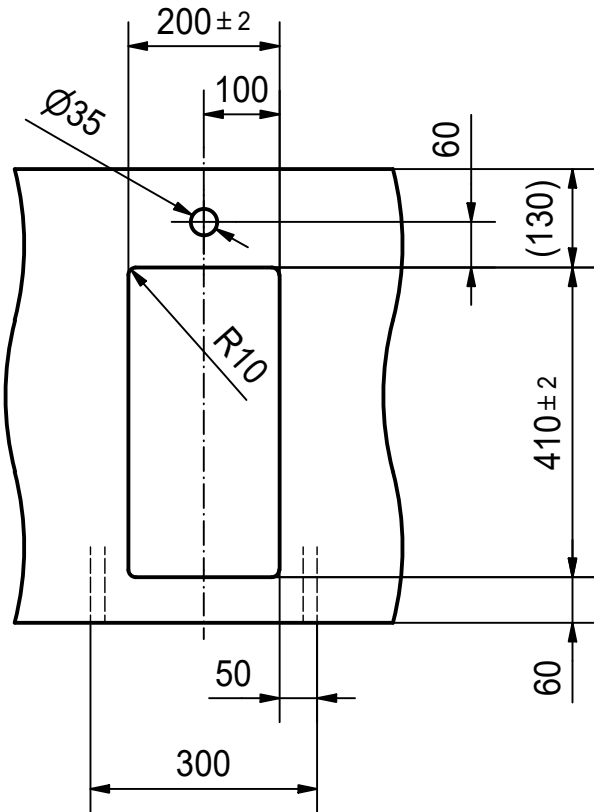
| | | | |
|--|------------|----------|---|
| Drawing No. | 20118070 | Revision | - |
| Drawn Date | 26.01.2018 | | |
| <small>These drawings and specifications are the property of Franke Technology and Trademark Ltd. and shall not be reproduced, copied or transferred to any third party without the prior written permission of Franke Technology and Trademark Ltd., Hergiswil, Switzerland</small> | | | |



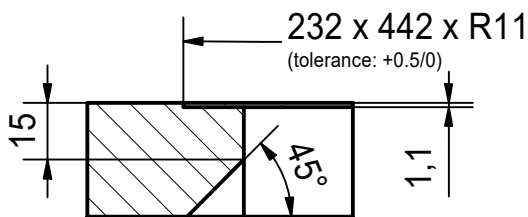
MRX 210-19 SI
installing document

| | |
|-------|--------|
| Sheet | Sheets |
| 2 | 6 |

CO



for flush fit only



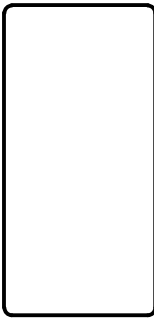
| | | | |
|--|------------|----------|---|
| Drawing No. | 20118070 | Revision | - |
| Drawn Date | 26.01.2018 | | |
| <small>These drawings and specifications are the property of Franke Technology and Trademark Ltd. and shall not be reproduced, copied or transferred to any third party without the prior written permission of Franke Technology and Trademark Ltd., Hergiswil, Switzerland</small> | | | |



MRX 210-19 SI
installing document

| | |
|-------|--------|
| Sheet | Sheets |
| 3 | 6 |

CNC



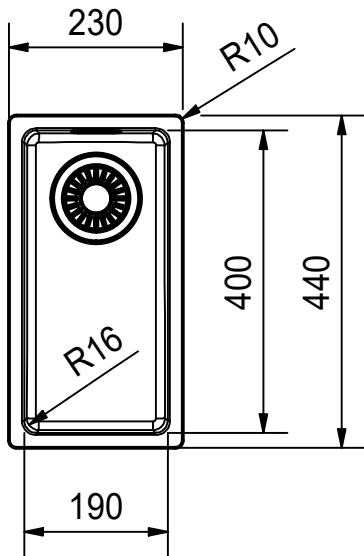
| | | | |
|--|------------|----------|---|
| Drawing No. | 20118070 | Revision | - |
| Drawn Date | 26.01.2018 | | |
| <small>These drawings and specifications are the property of Franke Technology and Trademark Ltd. and shall not be reproduced, copied or transferred to any third party without the prior written permission of Franke Technology and Trademark Ltd., Hergiswil, Switzerland</small> | | | |



MRX 210-19 SI
installing document

| | |
|-------|--------|
| Sheet | Sheets |
| 4 | 6 |

DT



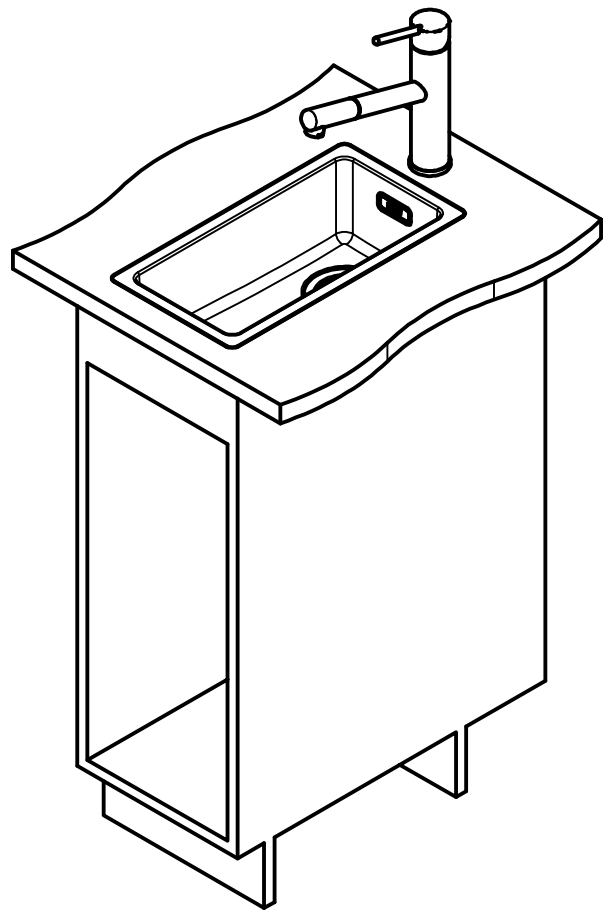
| | | | |
|--|------------|----------|---|
| Drawing No. | 20118070 | Revision | - |
| Drawn Date | 26.01.2018 | | |
| <small>These drawings and specifications are the property of Franke Technology and Trademark Ltd. and shall not be reproduced, copied or transferred to any third party without the prior written permission of Franke Technology and Trademark Ltd., Hergiswil, Switzerland</small> | | | |



MRX 210-19 SI
installing document

| | |
|-------|--------|
| Sheet | Sheets |
| 5 | 6 |

ISO



| | | | |
|--|------------|----------|---|
| Drawing No. | 20118070 | Revision | - |
| Drawn Date | 26.01.2018 | | |
| <small>These drawings and specifications are the property of Franke Technology and Trademark Ltd. and shall not be reproduced, copied or transferred to any third party without the prior written permission of Franke Technology and Trademark Ltd., Hergiswil, Switzerland</small> | | | |



MRX 210-19 SI
installing document

| | |
|-------|--------|
| Sheet | Sheets |
| 6 | 6 |