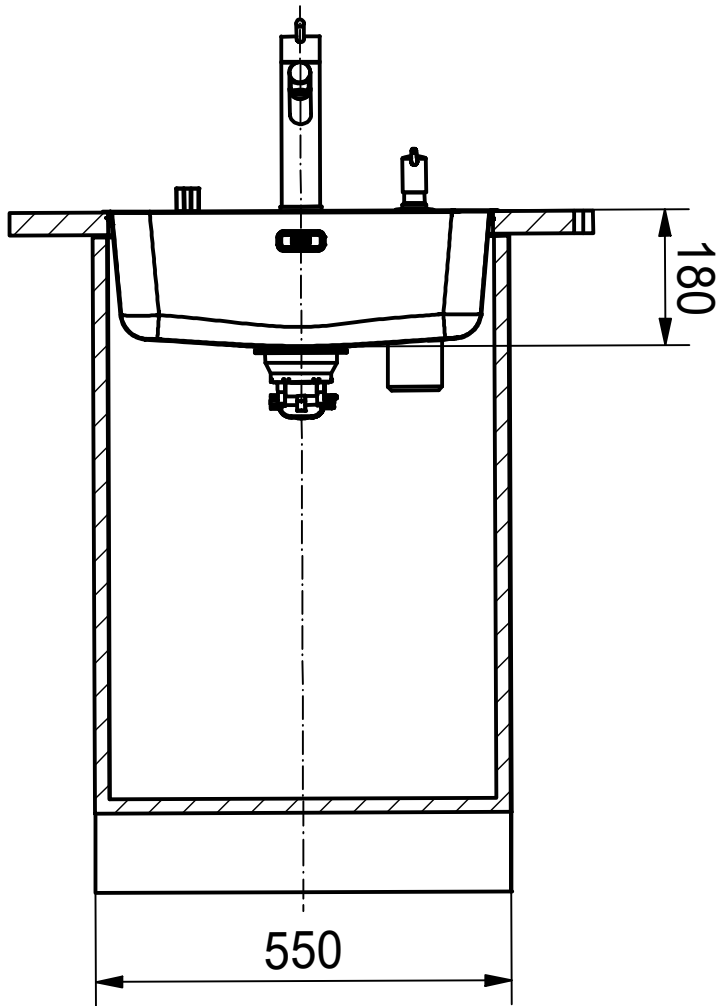


DF



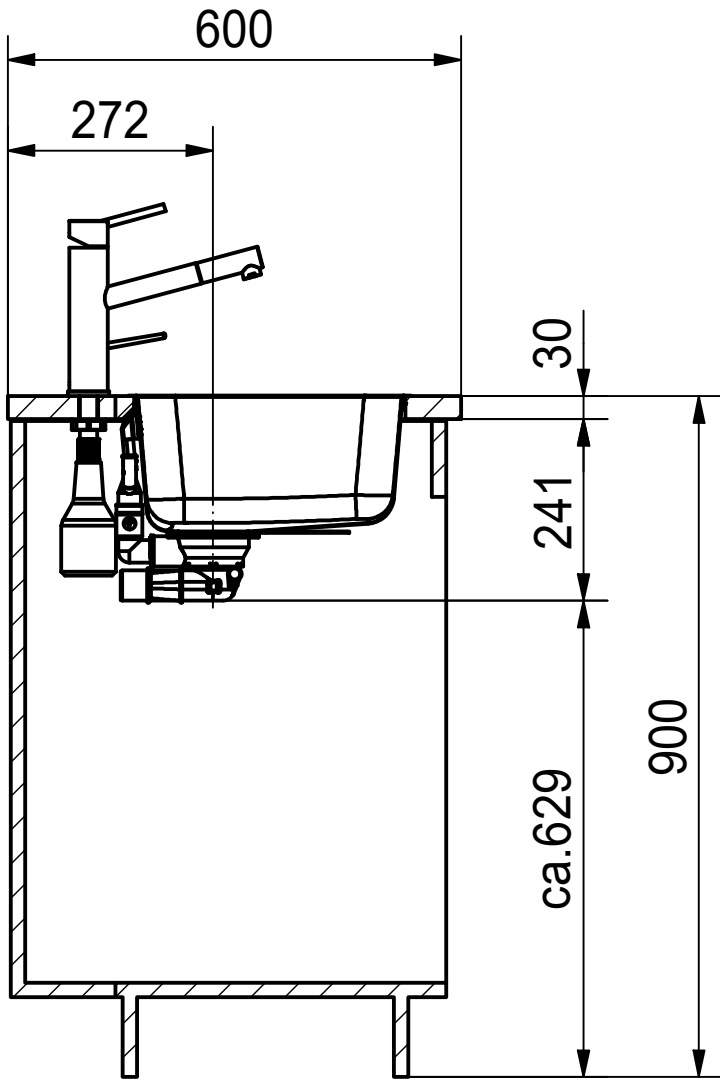
Drawing No.	20166767	Revision	A
Drawn Date	07.09.2009		
<small>These drawings and specifications are the property of NIRO-Plan AG and shall not be reproduced, copied or transferred to any third party without the prior written permission of NIRO-Plan AG, Aarburg, Switzerland</small>			

Franke Küchentechnik AG  
CH-4663 Aarburg  
Phone: +41 62 787 31 31  
Internet: www.franke.com

**LAX 610 50 I**  
installing document (CH)

Sheet	Sheets
1	6

DS



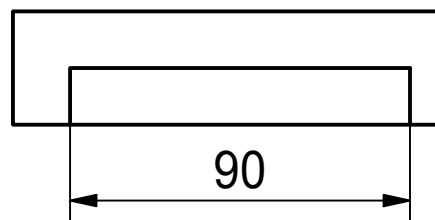
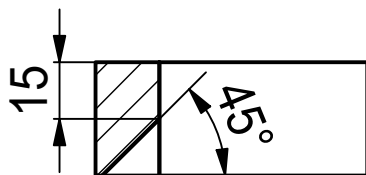
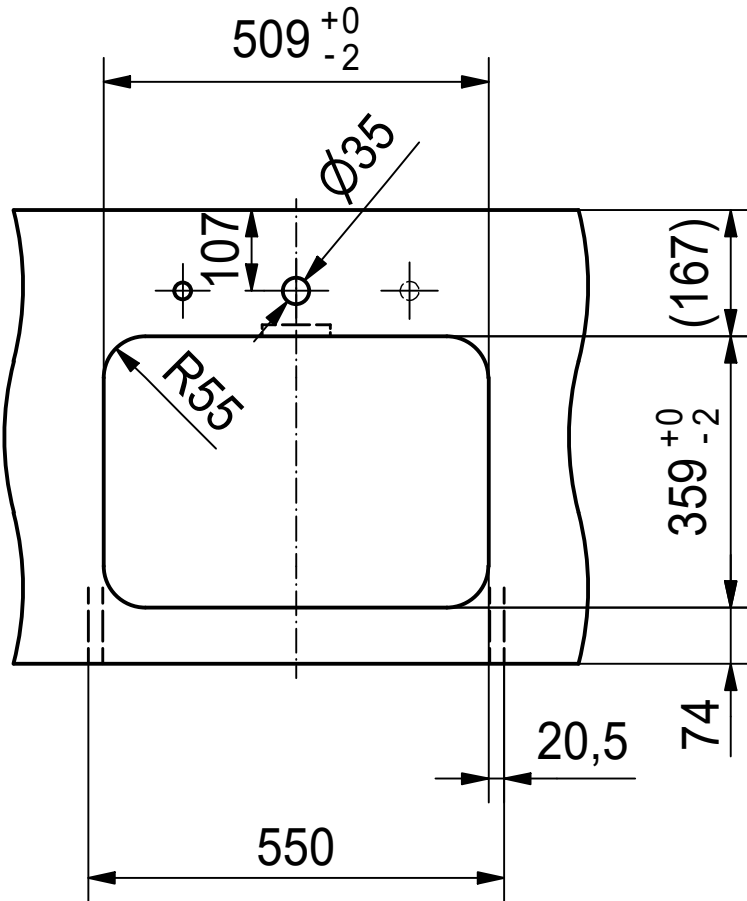
Drawing No.	20166767	Revision	A
Drawn Date	07.09.2009		
These drawings and specifications are the property of NIRO-Plan AG and shall not be reproduced, copied or transferred to any third party without the prior written permission of NIRO-Plan AG, Aarburg, Switzerland			

Franke Küchentechnik AG  
CH-4663 Aarburg  
Phone: +41 62 787 31 31  
Internet: www.franke.com

**LAX 610 50 I**  
installing document (CH)

Sheet	Sheets
2	6

CO



Drawing No.	20166767	Revision	A
Drawn Date	07.09.2009		
These drawings and specifications are the property of NIRO-Plan AG and shall not be reproduced, copied or transferred to any third party without the prior written permission of NIRO-Plan AG, Aarburg, Switzerland			

Franke Küchentechnik AG  
CH-4663 Aarburg  
Phone: +41 62 787 31 31  
Internet: www.franke.com

**LAX 610 50 I**  
installing document (CH)

Sheet	Sheets
3	6

**CNC**



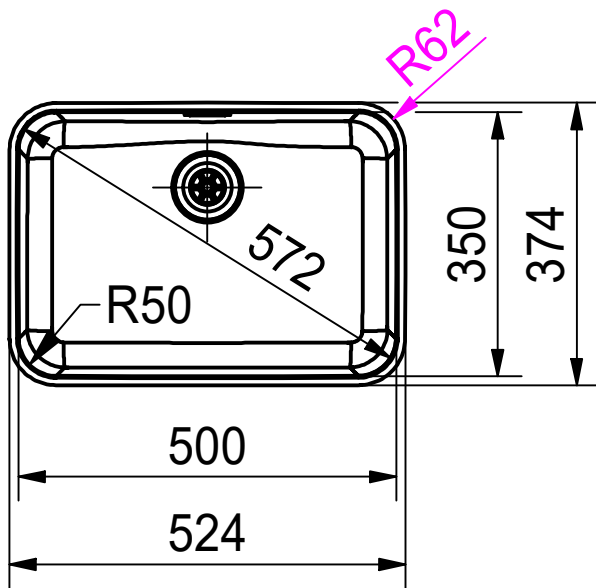
Drawing No.	20166767	Revision	A
Drawn Date	07.09.2009		
<small>These drawings and specifications are the property of NIRO-Plan AG and shall not be reproduced, copied or transferred to any third party without the prior written permission of NIRO-Plan AG, Aarburg, Switzerland</small>			

Franke Küchentechnik AG  
CH-4663 Aarburg  
Phone: +41 62 787 31 31  
Internet: www.franke.com

**LAX 610 50 I**  
installing document (CH)

Sheet	Sheets
4	6

DT



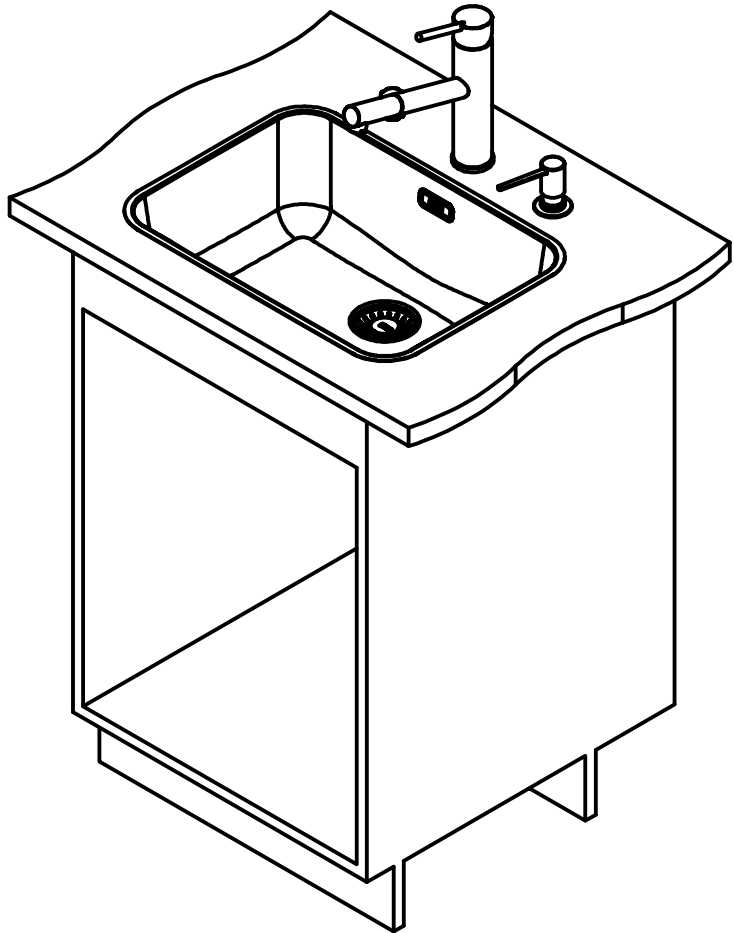
Drawing No.	20166767	Revision	A
Drawn Date	07.09.2009		
These drawings and specifications are the property of NIRO-Plan AG and shall not be reproduced, copied or transferred to any third party without the prior written permission of NIRO-Plan AG, Aarburg, Switzerland			

Franke Küchentechnik AG  
CH-4663 Aarburg  
Phone: +41 62 787 31 31  
Internet: www.franke.com

**LAX 610 50 I**  
installing document (CH)

Sheet	Sheets
5	6

ISO



Drawing No.	20166767	Revision	A
Drawn Date	07.09.2009		
These drawings and specifications are the property of NIRO-Plan AG and shall not be reproduced, copied or transferred to any third party without the prior written permission of NIRO-Plan AG, Aarburg, Switzerland			

Franke Küchentechnik AG  
CH-4663 Aarburg  
Phone: +41 62 787 31 31  
Internet: www.franke.com

**LAX 610 50 I**  
installing document (CH)

Sheet	Sheets
6	6