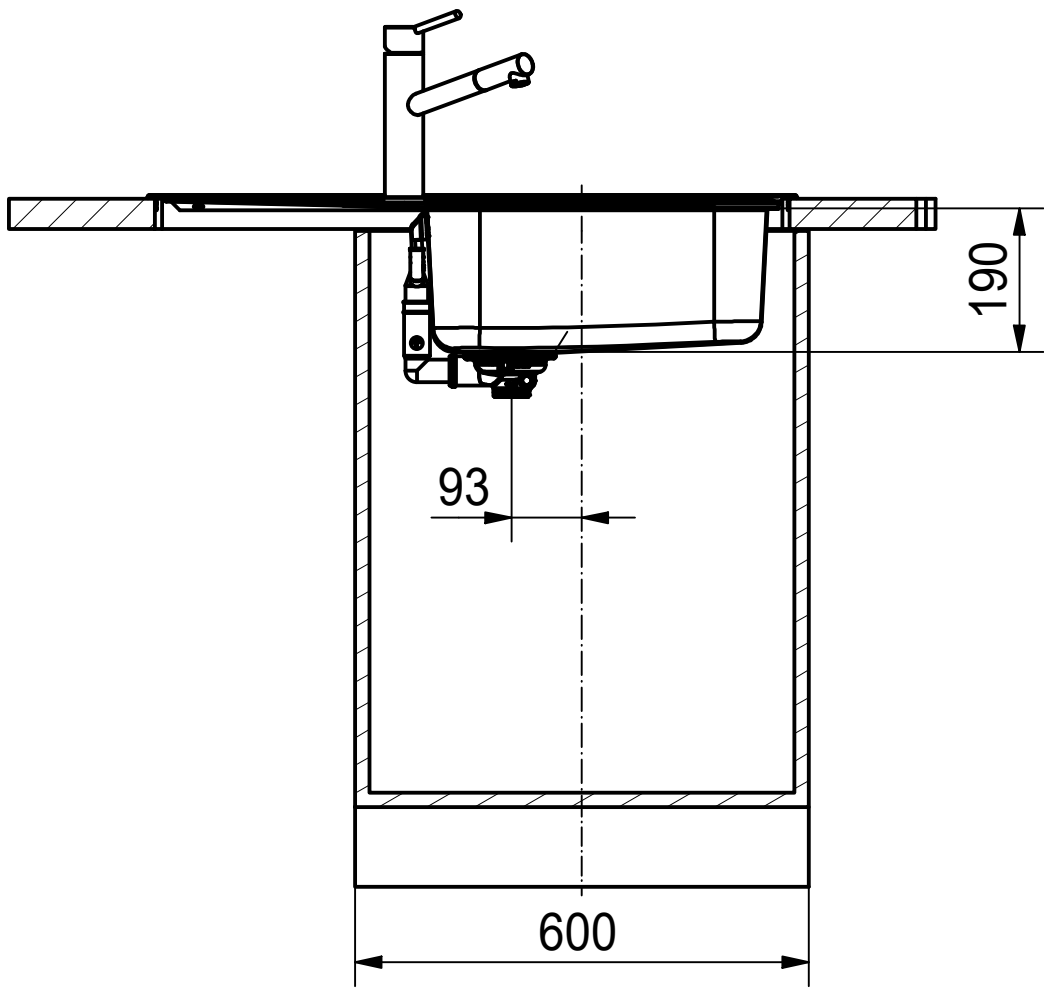


DF



Drawing No.	20118245	Revision	D
Drawn Date	27.06.2013		
<small>These drawings and specifications are the property of Franke Technology and Trademark Ltd. and shall not be reproduced, copied or transferred to any third party without the prior written permission of Franke Technology and Trademark Ltd., Hergiswil, Switzerland</small>			

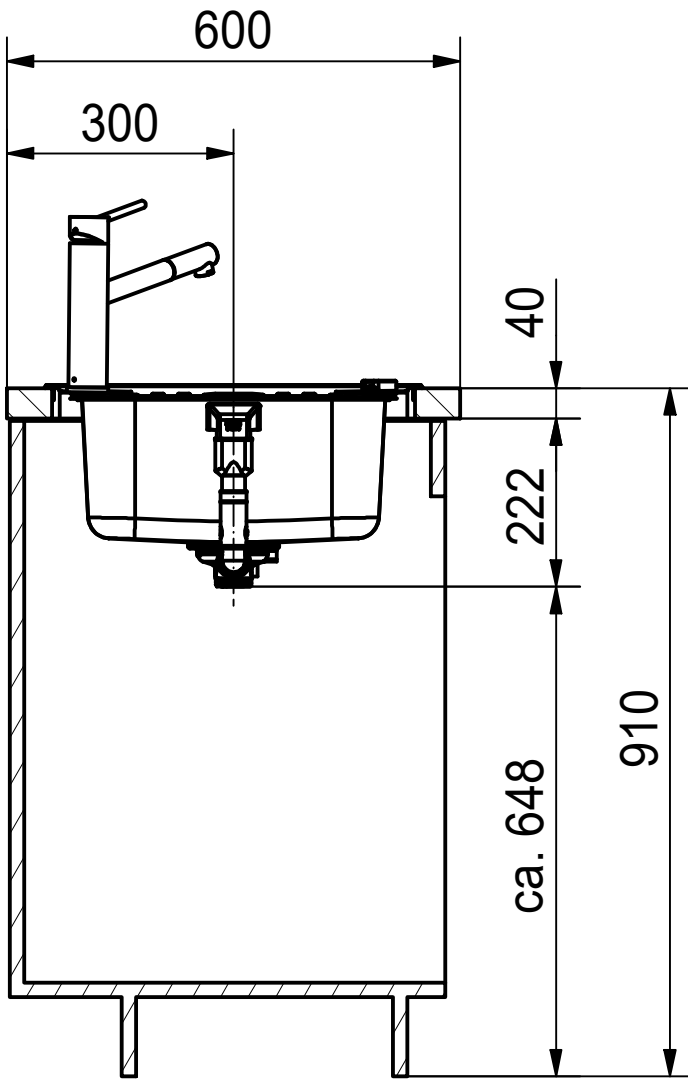
Franke Küchentechnik AG
CH-4663 Aarburg
Phone: +41 62 787 31 31
Internet: www.franke.com

SRX 611 86 LB Rev SI

installing document

Sheet	Sheets
1	6

DS



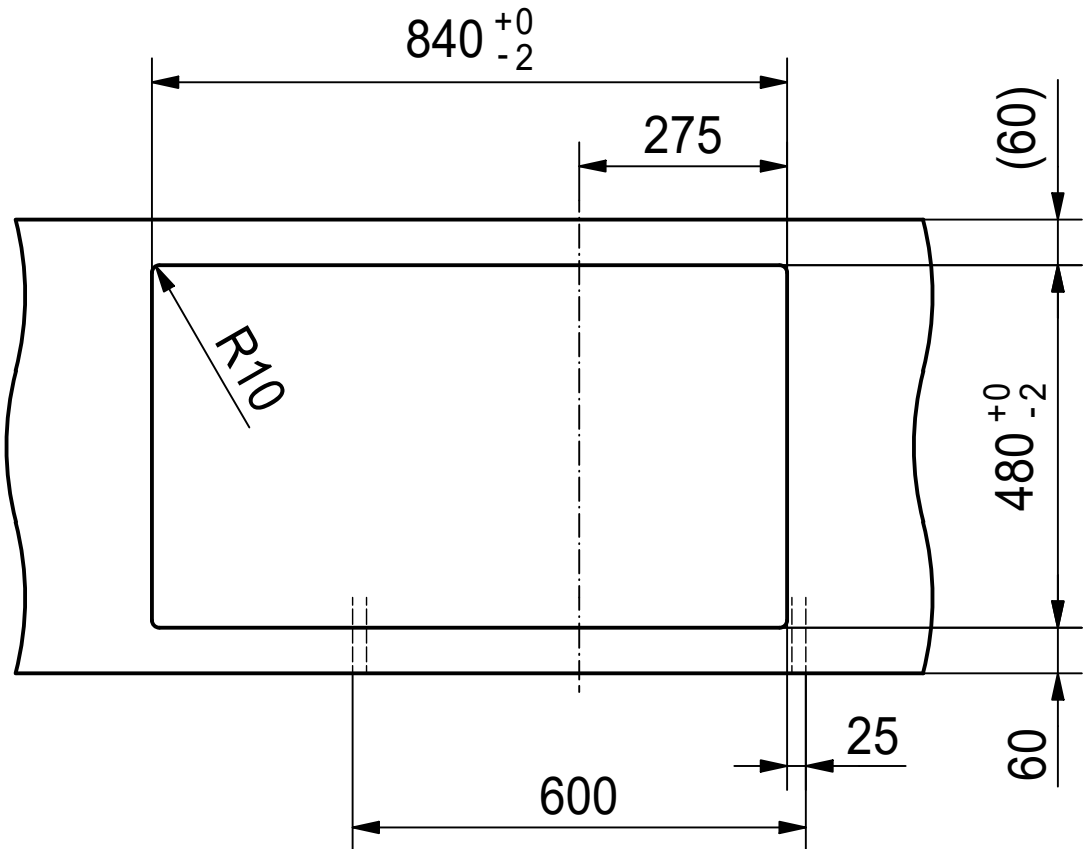
Drawing No.	20118245	Revision	D
Drawn Date	27.06.2013		
<small>These drawings and specifications are the property of Franke Technology and Trademark Ltd. and shall not be reproduced, copied or transferred to any third party without the prior written permission of Franke Technology and Trademark Ltd., Hergiswil, Switzerland</small>			

Franke Küchentechnik AG
CH-4663 Aarburg
Phone: +41 62 787 31 31
Internet: www.franke.com

SRX 611 86 LB Rev SI
installing document

Sheet	Sheets
2	6

CO



Drawing No.	20118245	Revision	D
Drawn Date	27.06.2013		
<small>These drawings and specifications are the property of Franke Technology and Trademark Ltd. and shall not be reproduced, copied or transferred to any third party without the prior written permission of Franke Technology and Trademark Ltd., Hergiswil, Switzerland</small>			

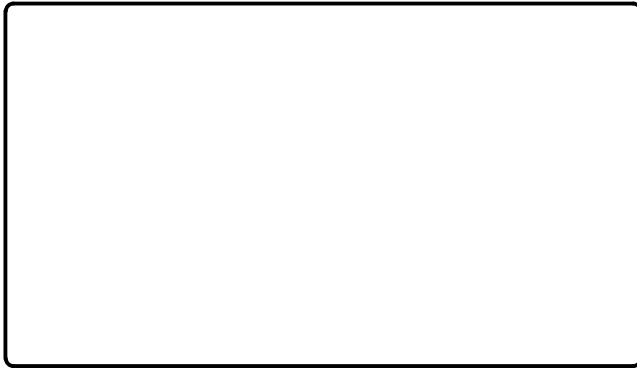
Franke Küchentechnik AG
CH-4663 Aarburg
Phone: +41 62 787 31 31
Internet: www.franke.com

SRX 611 86 LB Rev SI

installing document

Sheet	Sheets
3	6

CNC



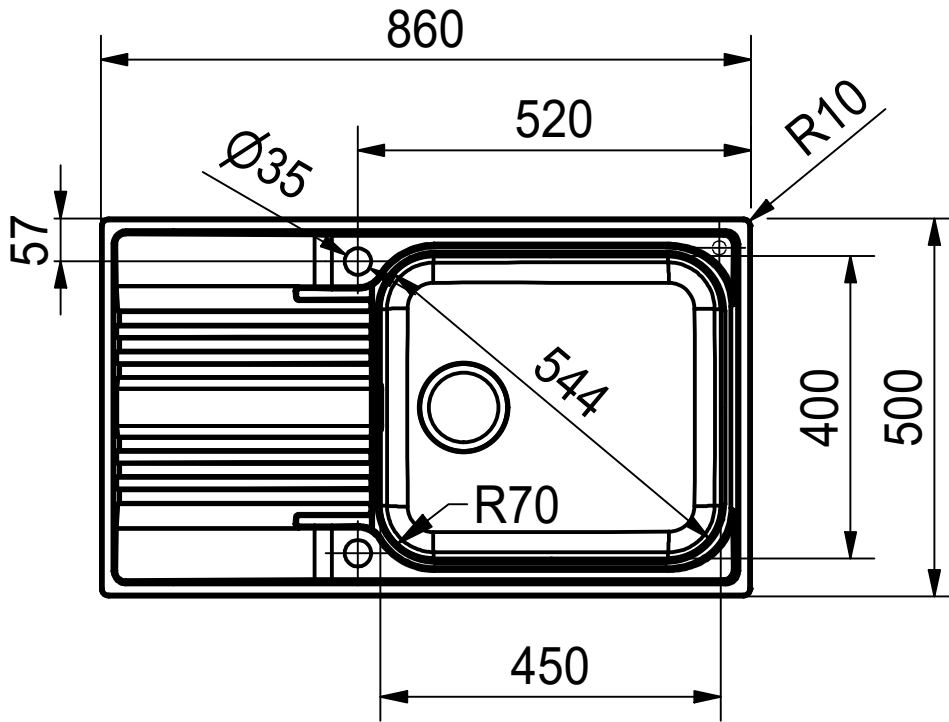
Drawing No.	20118245	Revision	D
Drawn Date	27.06.2013		
<small>These drawings and specifications are the property of Franke Technology and Trademark Ltd. and shall not be reproduced, copied or transferred to any third party without the prior written permission of Franke Technology and Trademark Ltd., Hergiswil, Switzerland</small>			

Franke Küchentechnik AG
CH-4663 Aarburg
Phone: +41 62 787 31 31
Internet: www.franke.com

SRX 611 86 LB Rev SI
installing document

Sheet	Sheets
4	6

DT



Drawing No.	20118245	Revision	D
Drawn Date	27.06.2013		
<small>These drawings and specifications are the property of Franke Technology and Trademark Ltd. and shall not be reproduced, copied or transferred to any third party without the prior written permission of Franke Technology and Trademark Ltd., Hergiswil, Switzerland</small>			

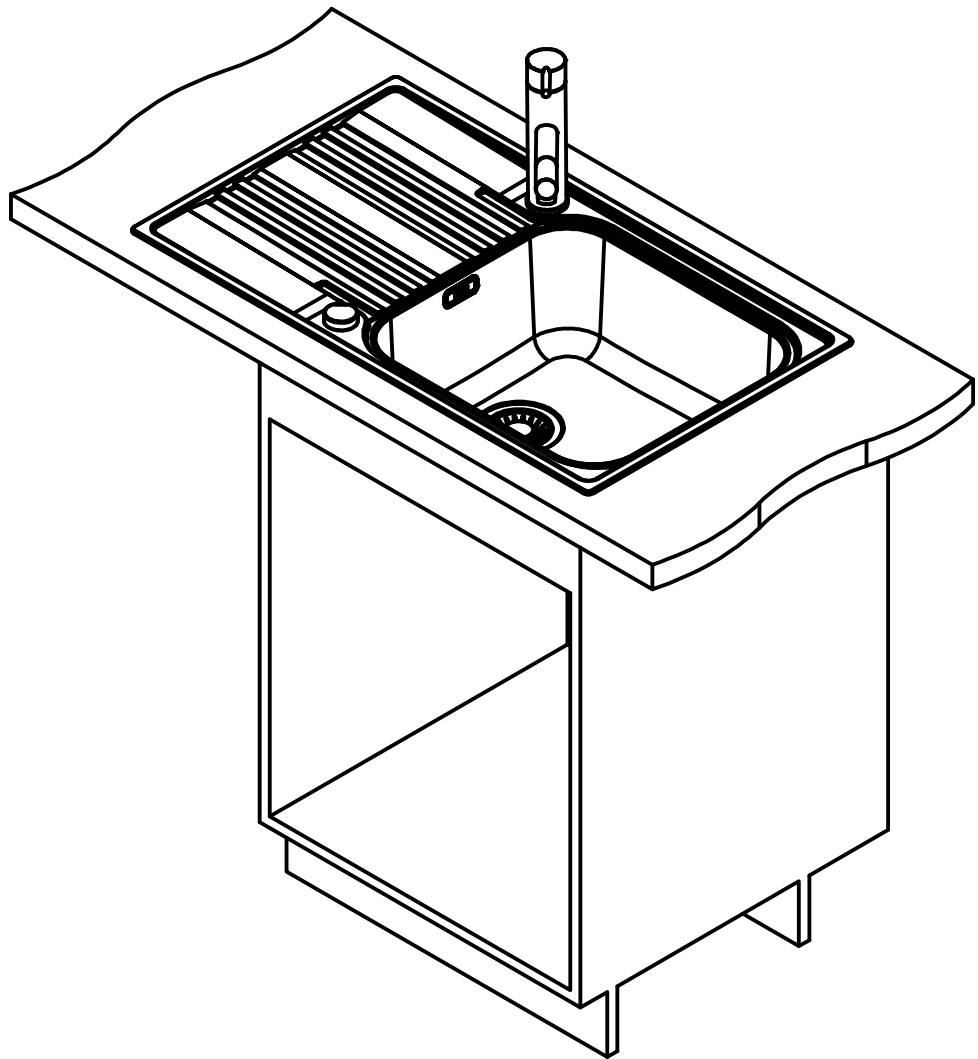
Franke Küchentechnik AG
CH-4663 Aarburg
Phone: +41 62 787 31 31
Internet: www.franke.com

SRX 611 86 LB Rev SI

installing document

Sheet	Sheets
5	6

ISO



Drawing No.	20118245	Revision	D
Drawn Date	27.06.2013		
<small>These drawings and specifications are the property of Franke Technology and Trademark Ltd. and shall not be reproduced, copied or transferred to any third party without the prior written permission of Franke Technology and Trademark Ltd., Hergiswil, Switzerland</small>			

Franke Küchentechnik AG
CH-4663 Aarburg
Phone: +41 62 787 31 31
Internet: www.franke.com

SRX 611 86 LB Rev SI

installing document

Sheet	Sheets
6	6