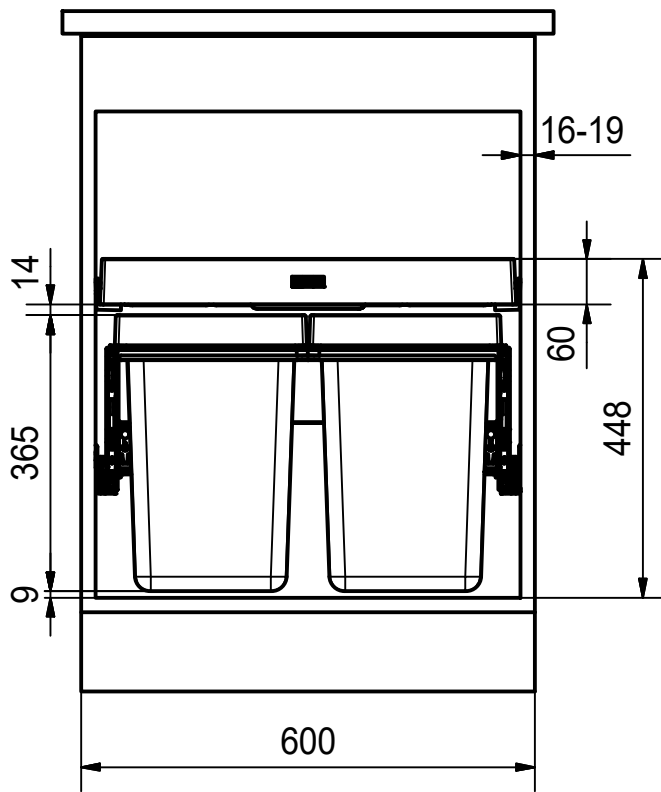


DF



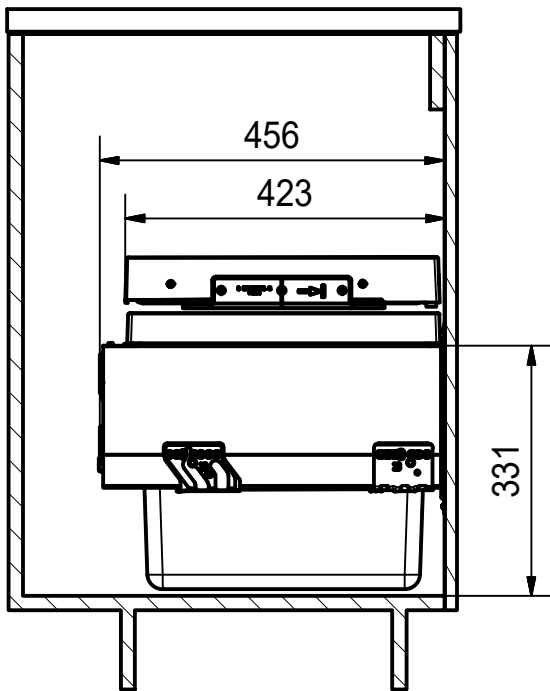
Drawing No.	20121125_02	Revision	A
Drawn Date	08.06.2018		
<small>These drawings and specifications are the property of Franke Technology and Trademark Ltd. and shall not be reproduced, copied or transferred to any third party without the prior written permission of Franke Technology and Trademark Ltd., Hergiswil, Switzerland</small>			



Sorter FX 60 26-26
installing document

Sheet	Sheets
1	7

DS



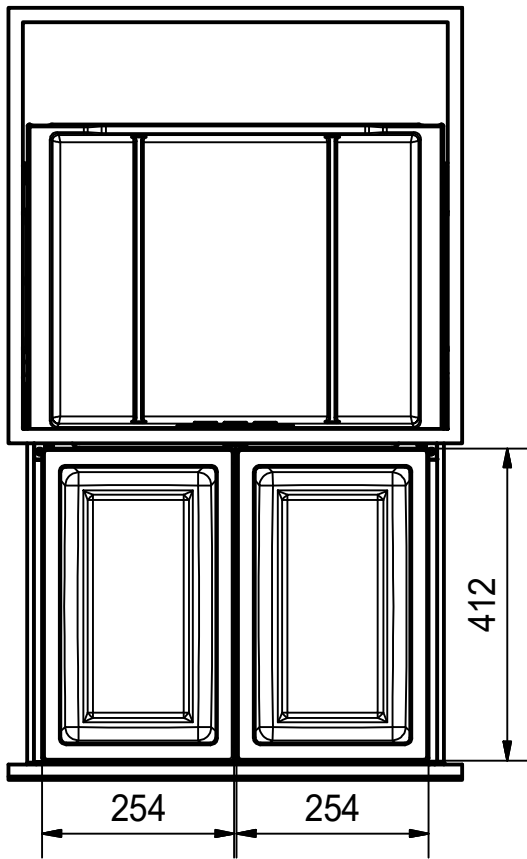
Drawing No.	20121125_02	Revision	A
Drawn Date	08.06.2018		
<small>These drawings and specifications are the property of Franke Technology and Trademark Ltd. and shall not be reproduced, copied or transferred to any third party without the prior written permission of Franke Technology and Trademark Ltd., Hergiswil, Switzerland</small>			



Sorter FX 60 26-26
installing document

Sheet	Sheets
2	7

CO



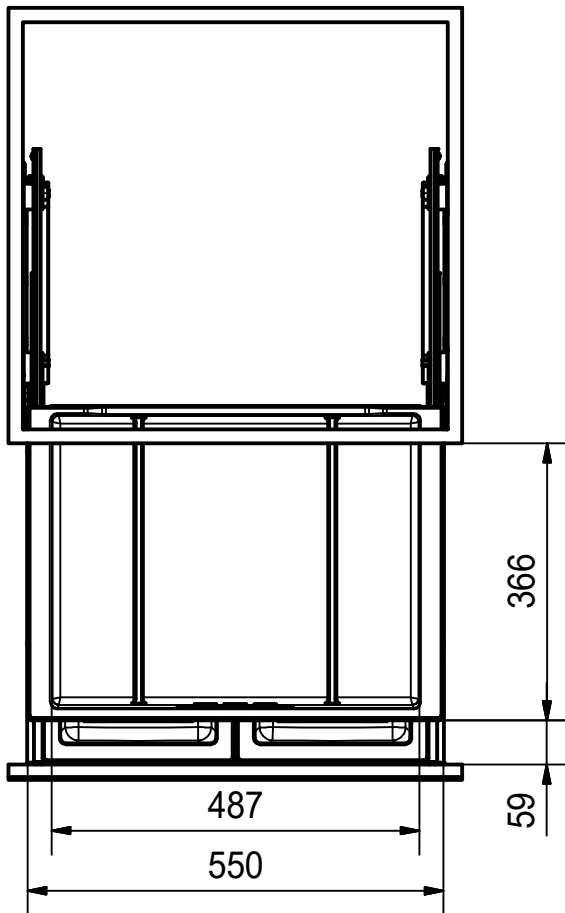
Drawing No.	20121125_02	Revision	A
Drawn Date	08.06.2018		
<small>These drawings and specifications are the property of Franke Technology and Trademark Ltd. and shall not be reproduced, copied or transferred to any third party without the prior written permission of Franke Technology and Trademark Ltd., Hergiswil, Switzerland</small>			



Sorter FX 60 26-26
installing document

Sheet	Sheets
3	7

DT



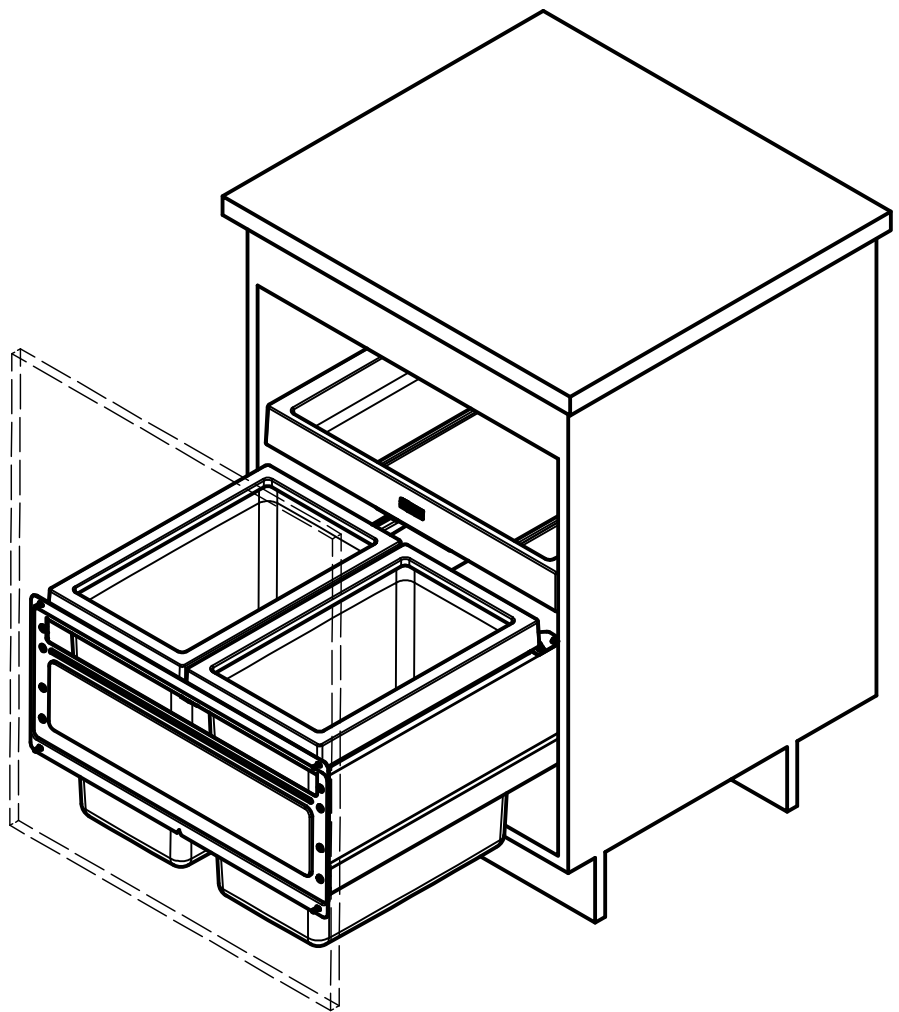
Drawing No.	20121125_02	Revision	A
Drawn Date	08.06.2018		
<small>These drawings and specifications are the property of Franke Technology and Trademark Ltd. and shall not be reproduced, copied or transferred to any third party without the prior written permission of Franke Technology and Trademark Ltd., Hergiswil, Switzerland</small>			



Sorter FX 60 26-26
installing document

Sheet	Sheets
4	7

ISO



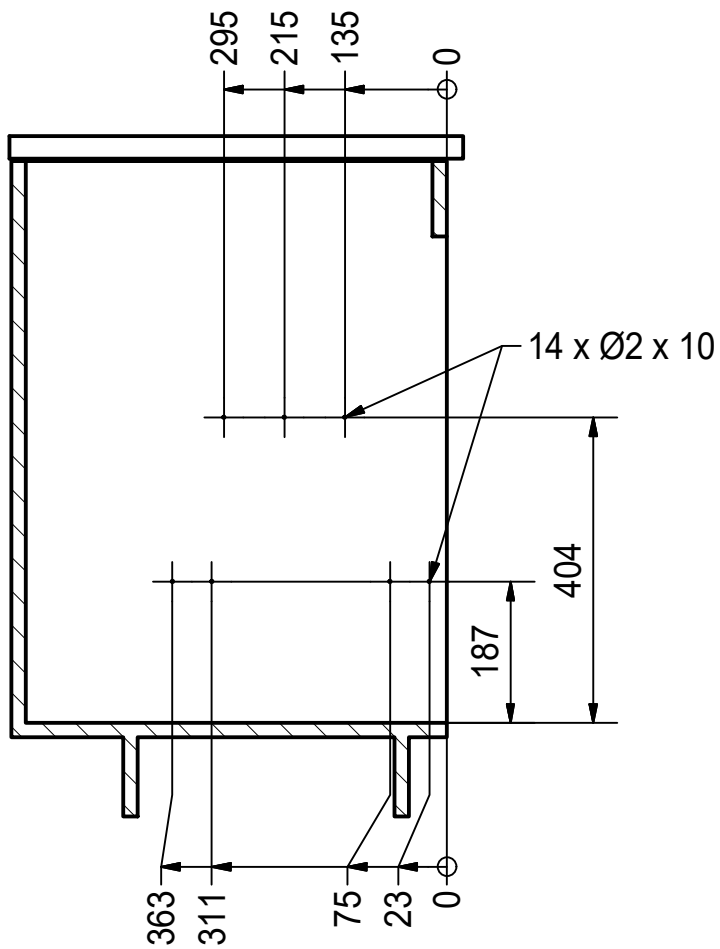
Drawing No.	20121125_02	Revision	A
Drawn Date	08.06.2018		
<small>These drawings and specifications are the property of Franke Technology and Trademark Ltd. and shall not be reproduced, copied or transferred to any third party without the prior written permission of Franke Technology and Trademark Ltd., Hergiswil, Switzerland</small>			



Sorter FX 60 26-26
installing document

Sheet	Sheets
5	7

Fixing holes sidewall (inside)



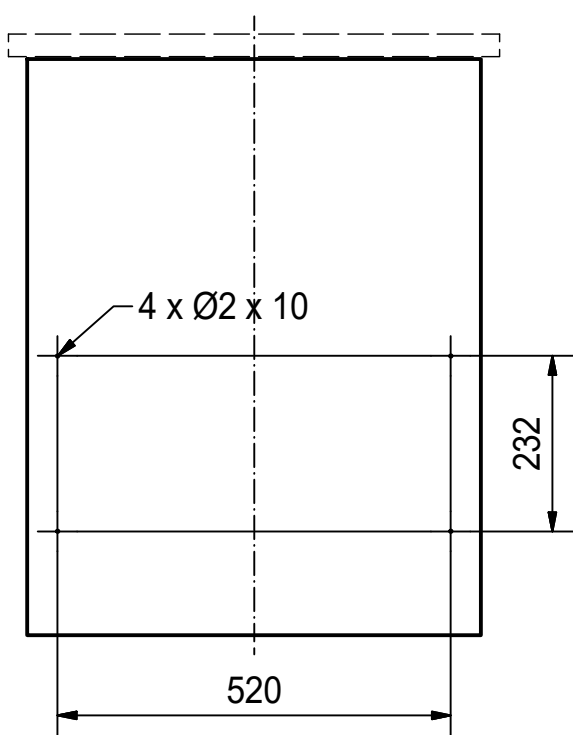
Drawing No.	20121125_02	Revision	A
Drawn Date	08.06.2018		
<small>These drawings and specifications are the property of Franke Technology and Trademark Ltd. and shall not be reproduced, copied or transferred to any third party without the prior written permission of Franke Technology and Trademark Ltd., Hergiswil, Switzerland</small>			



Sorter FX 60 26-26
installing document

Sheet	Sheets
6	7

Fixing holes Front (inside)



Drawing No.	20121125_02	Revision	A
Drawn Date	08.06.2018		
<small>These drawings and specifications are the property of Franke Technology and Trademark Ltd. and shall not be reproduced, copied or transferred to any third party without the prior written permission of Franke Technology and Trademark Ltd., Hergiswil, Switzerland</small>			



Sorter FX 60 26-26
installing document

Sheet	Sheets
7	7