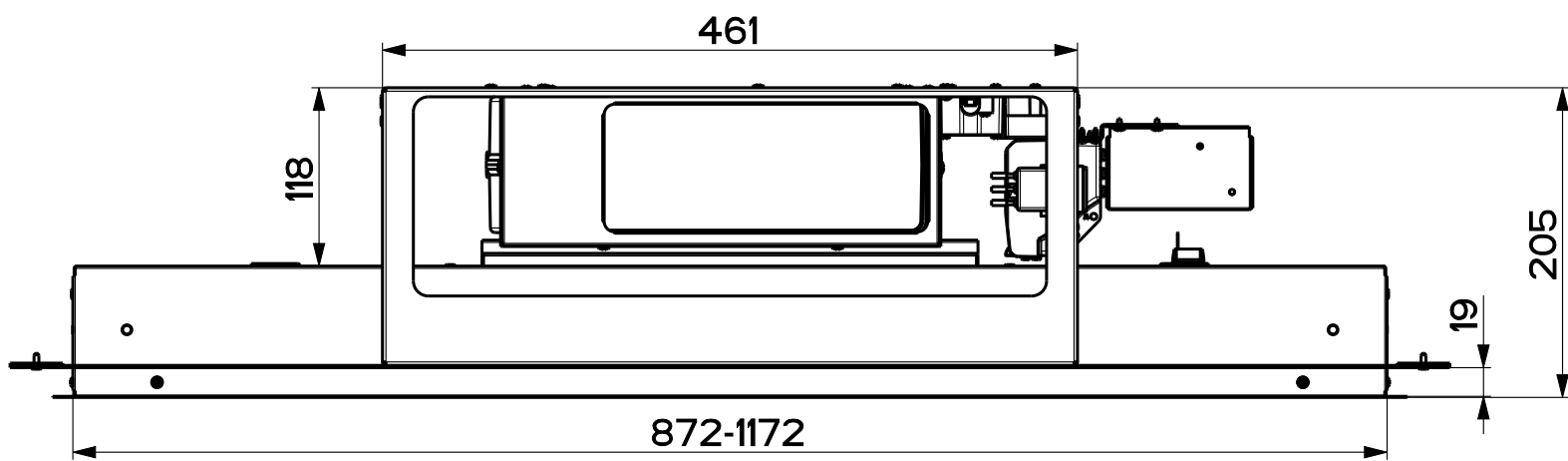
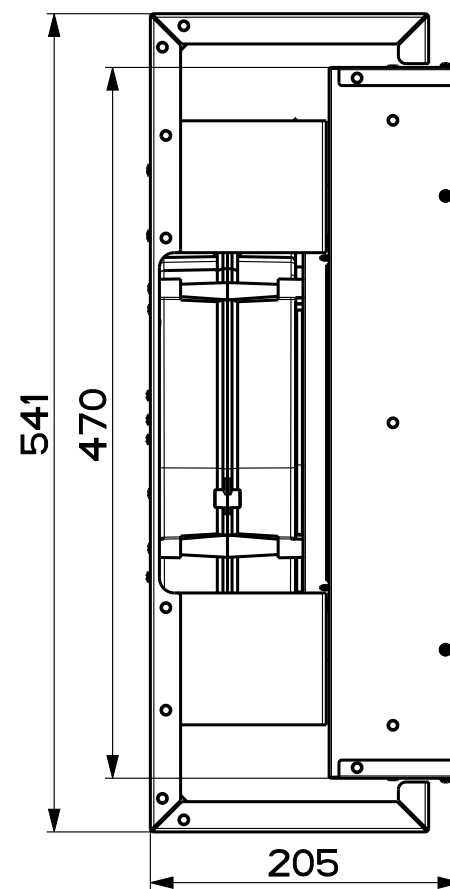
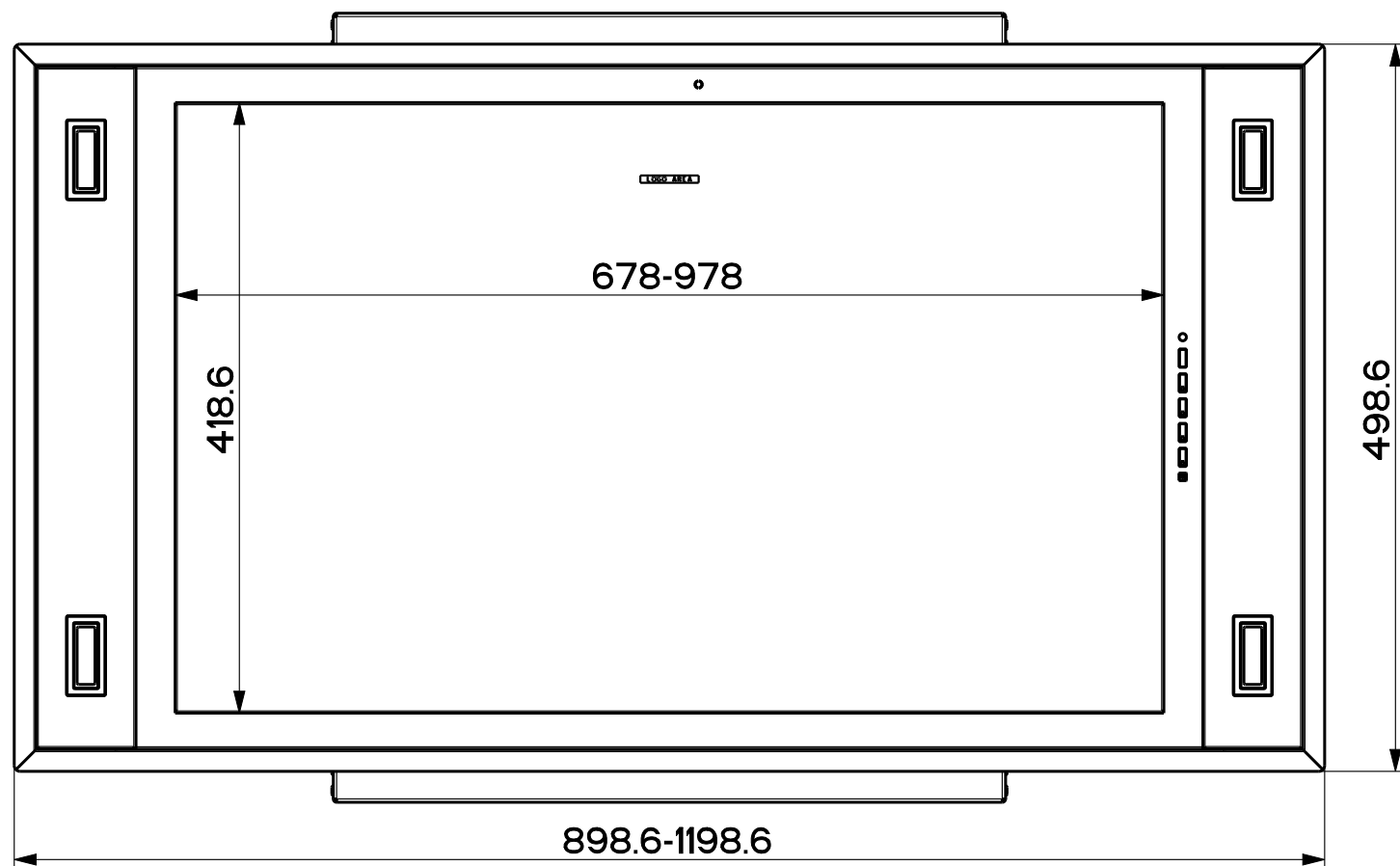


Created by Bellucci, Daniele	
Denomination GENERAL ASSEMBLY 90X50 FLAT CEILING EMC S2000	
Lang EN 	Sheet 1/2
Modif.by Bellucci, Daniele	
Approved by Bellucci, Daniele	
Approval date 13-Oct-2021	
Doc. status Released	
Drawing N. 59A_1035	Rev 01



Created by Bellucci, Daniele	
Denomination GENERAL ASSEMBLY 90X50 FLAT CEILING EMC S2000	
Lang EN	Sheet 2/2
Modif. by Bellucci, Daniele	
Approved by Bellucci, Daniele	
Approval date 13-Oct-2021	
Doc. status Released	
Drawing N. 59A_1035	Rev 01