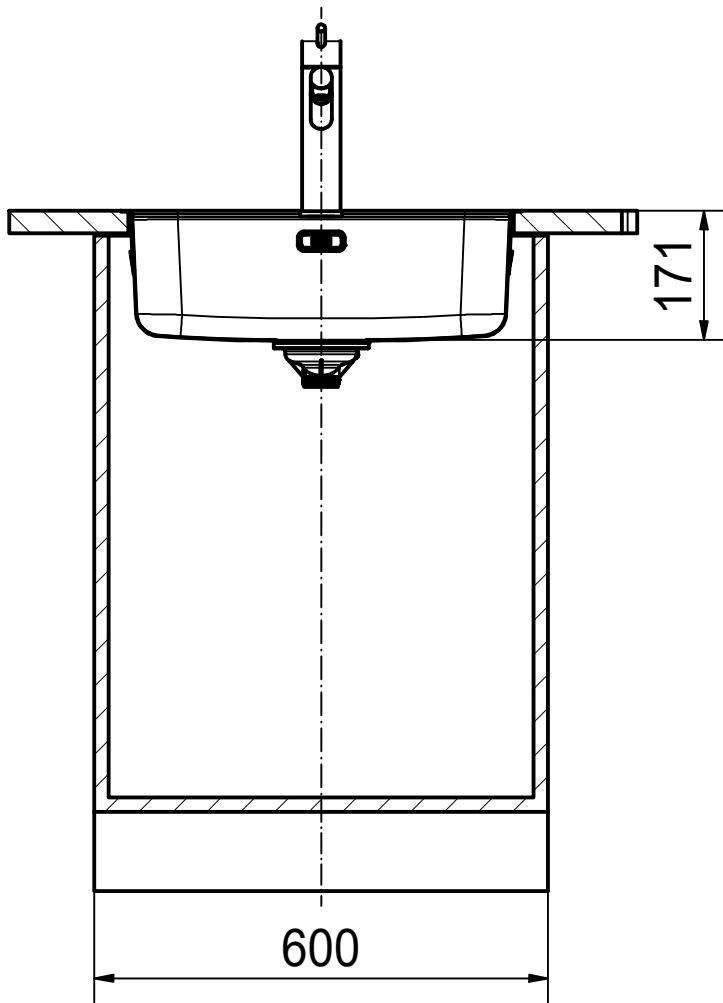


DF



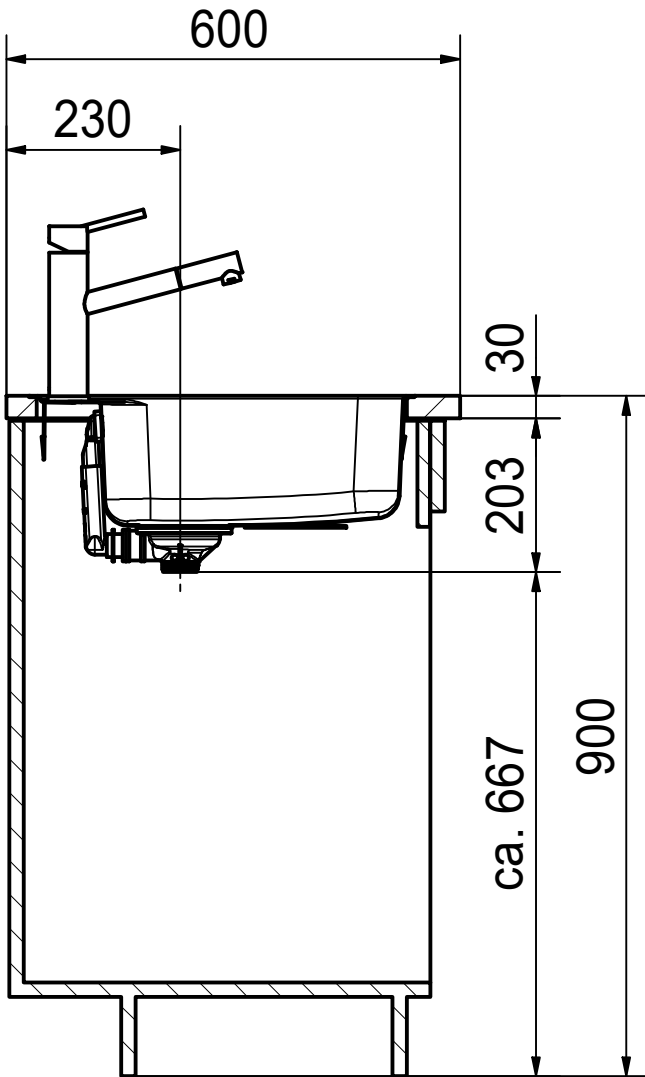
Drawing No.	20242750_03	Revision	B
Drawn Date	16.09.2022		
These drawings and specifications are the property of Franke Technology and Trademark Ltd., Hergiswil, Switzerland.			



SRX 210-50 TL SI
installing document

Sheet	Sheets
1	6

DS



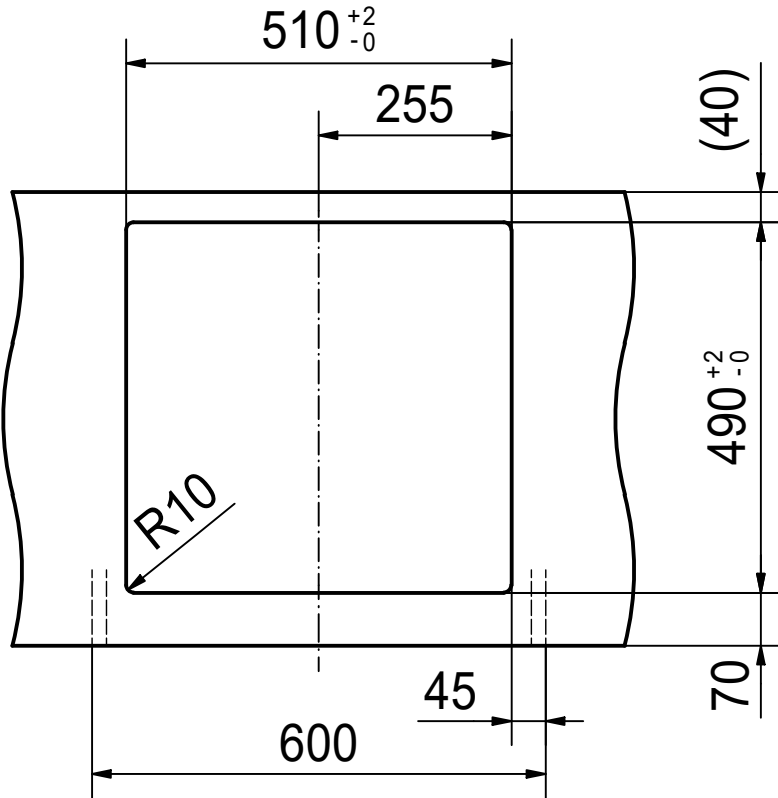
Drawing No.	20242750_03	Revision	B
Drawn Date	16.09.2022		
These drawings and specifications are the property of Franke Technology and Trademark Ltd., Hergiswil, Switzerland.			



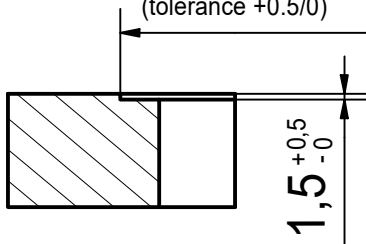
SRX 210-50 TL SI
installing document

Sheet	Sheets
2	6

CO



for flush fit only
530.4 x 510.4 x R15.2
(tolerance +0.5/0)



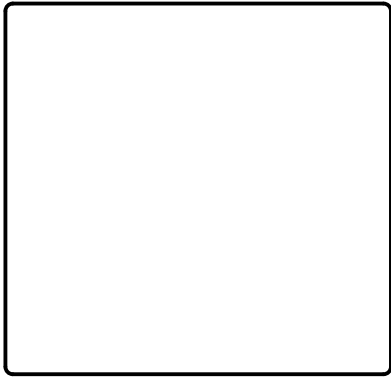
Drawing No.	20242750_03	Revision	B
Drawn Date	16.09.2022		
These drawings and specifications are the property of Franke Technology and Trademark Ltd., Hergiswil, Switzerland.			



SRX 210-50 TL SI
installing document

Sheet	Sheets
3	6

CNC



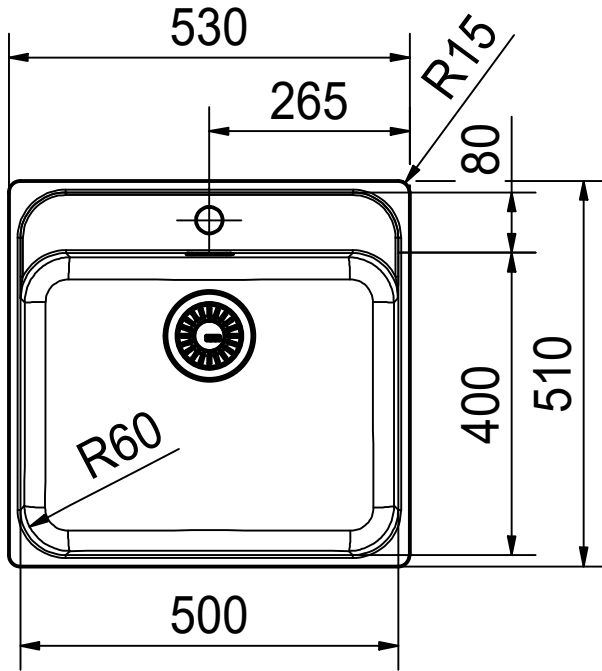
Drawing No.	20242750_03	Revision	B
Drawn Date	16.09.2022		
These drawings and specifications are the property of Franke Technology and Trademark Ltd., Hergiswil, Switzerland.			



SRX 210-50 TL SI
installing document

Sheet	Sheets
4	6

DT



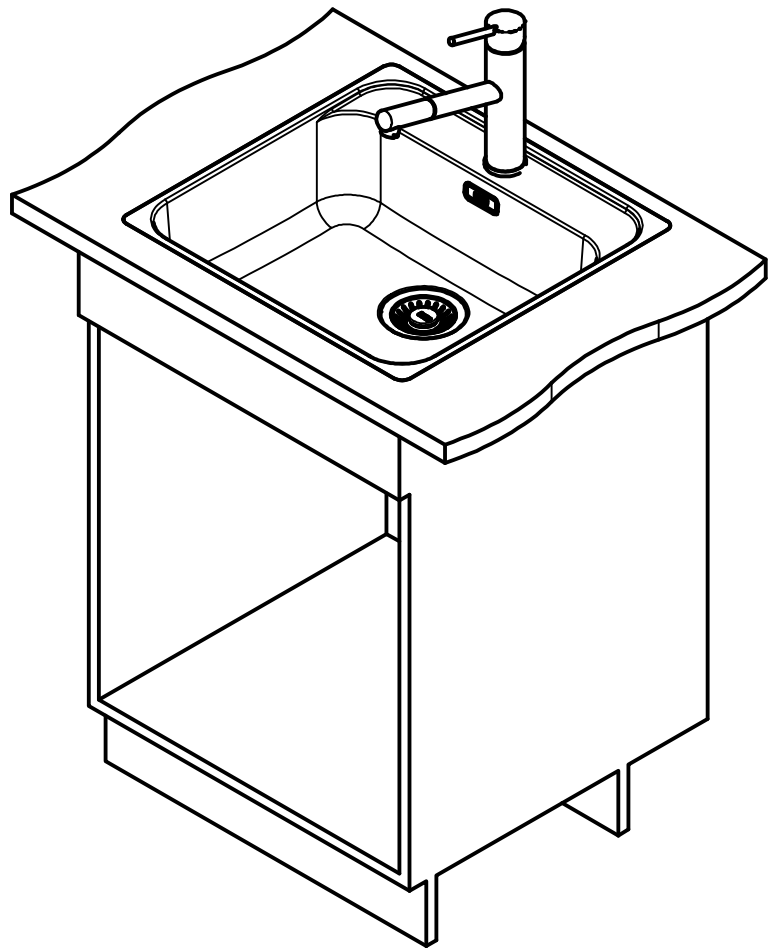
Drawing No.	20242750_03	Revision	B
Drawn Date	16.09.2022		
These drawings and specifications are the property of Franke Technology and Trademark Ltd., Hergiswil, Switzerland.			



SRX 210-50 TL SI
installing document

Sheet	Sheets
5	6

ISO



Drawing No.	20242750_03	Revision	B
Drawn Date	16.09.2022		
These drawings and specifications are the property of Franke Technology and Trademark Ltd., Hergiswil, Switzerland.			



SRX 210-50 TL SI
installing document

Sheet	Sheets
6	6