
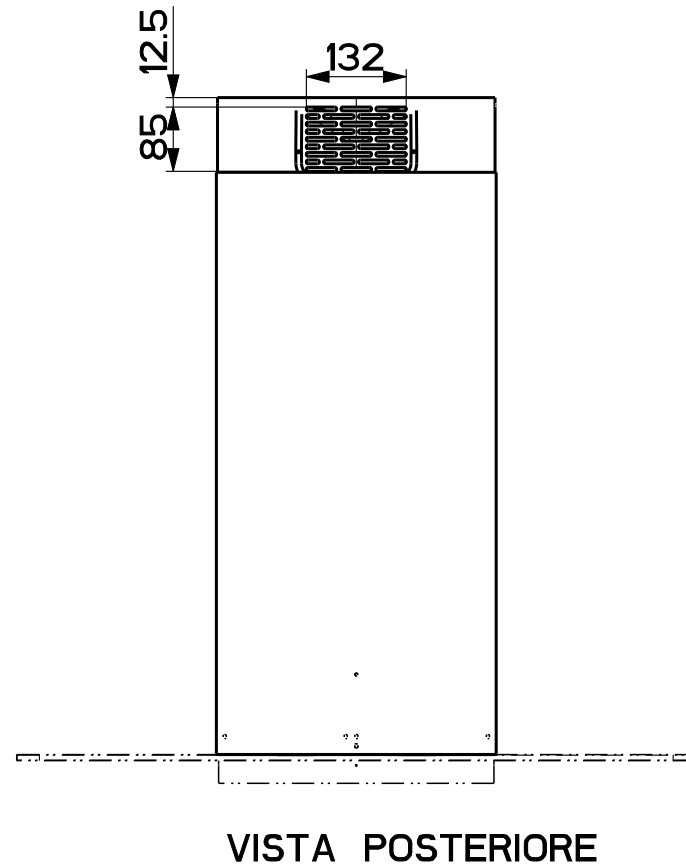
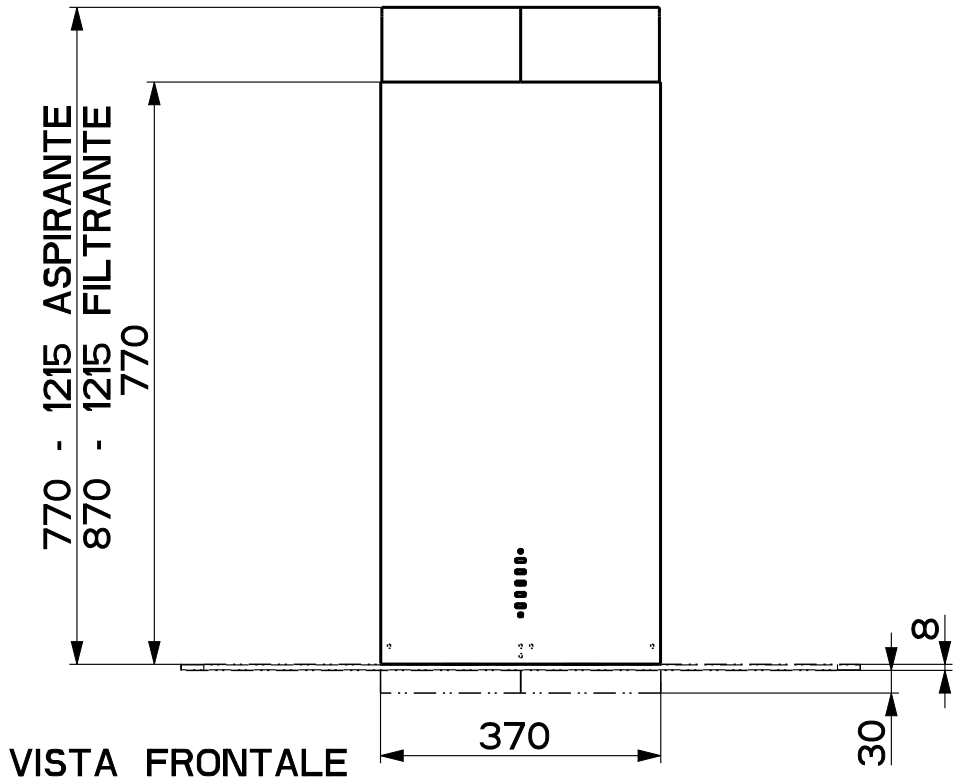
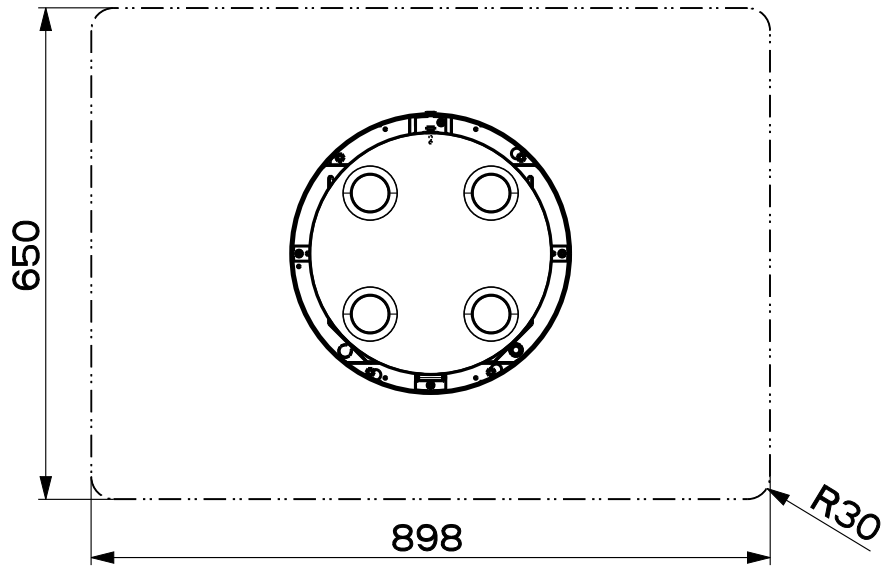



Created by Solutions	
Denomination DIMENSIONAL DRAWING 4LED GLASS	
Lang EN 	Sheet 1/2
Modif.by tcimport	
Approved by Galassi, Raffaele	
Approval date 26-Apr-2021	
Doc. status Released	
Drawing N. A82_768	Rev 02



Created by Solutions	
Denomination DIMENSIONAL DRAWING 4LED GLASS	
Lang EN 	Sheet 2/2
Modif.by tcimport	
Approved by Galassi, Raffaele	
Approval date 26-Apr-2021	
Doc. status Released	
Drawing N. A82_768	Rev 02