
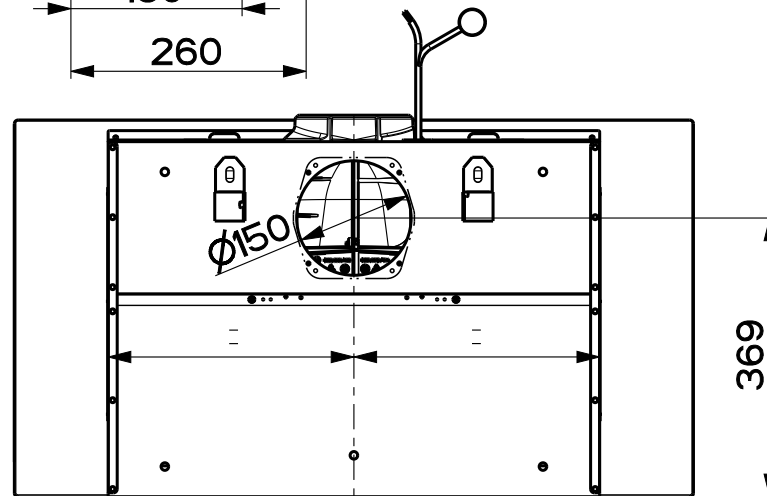
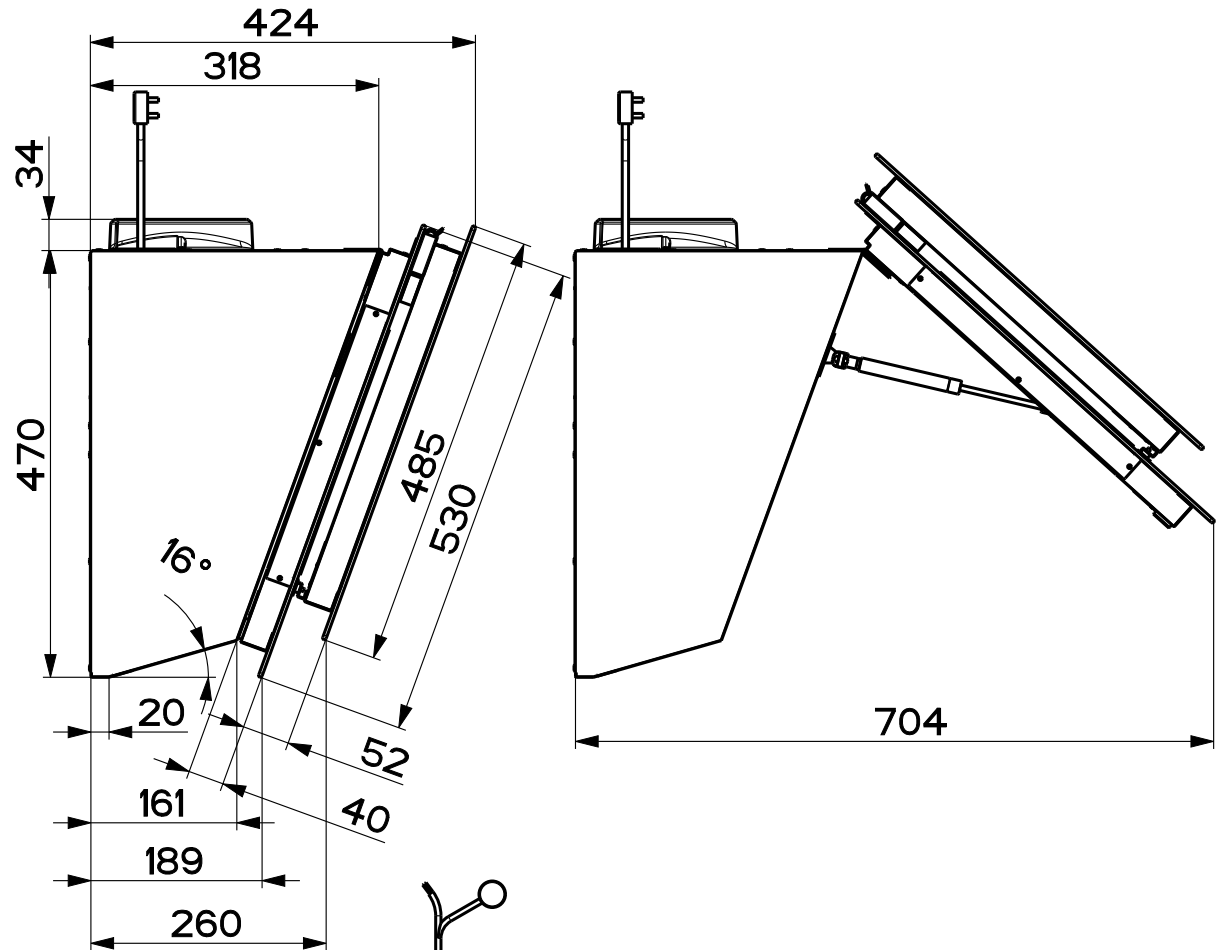
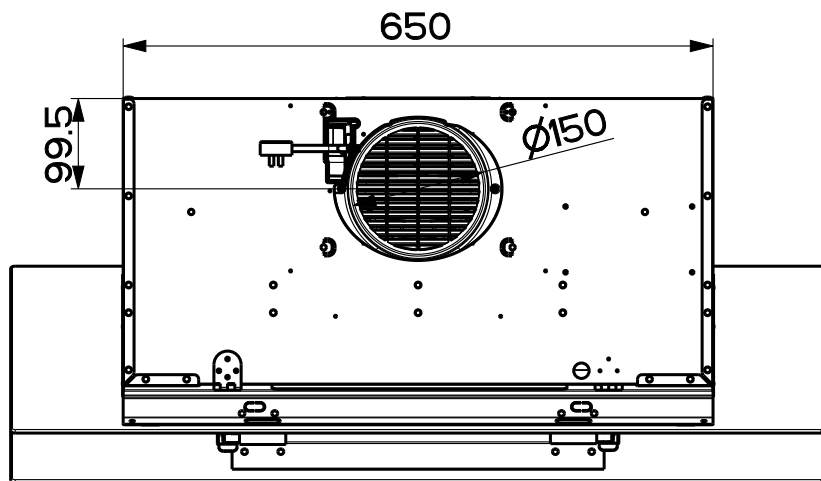
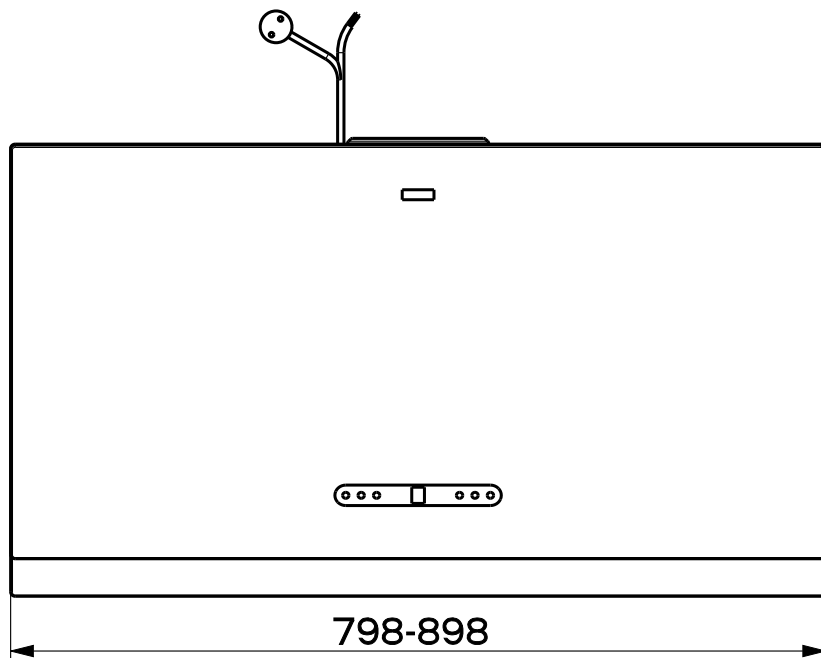


Created by Latini, Francesco	
Denomination DIMENSIONAL DRAWING MARIS PRO 2.0	
Lang EN 	Sheet 1/2
Modif.by	
Approved by Romani, Fabio	
Approval date 13-Mar-2023	
Doc. status Released	
Drawing N. 330071_743	Rev 02



Created by Latini, Francesco	
Denomination DIMENSIONAL DRAWING MARIS PRO 2.0	
Lang EN	Sheet 2/2
Modif.by	
Approved by Romani, Fabio	
Approval date 13-Mar-2023	
Doc. status Released	
Drawing N. 330071_743	Rev 02