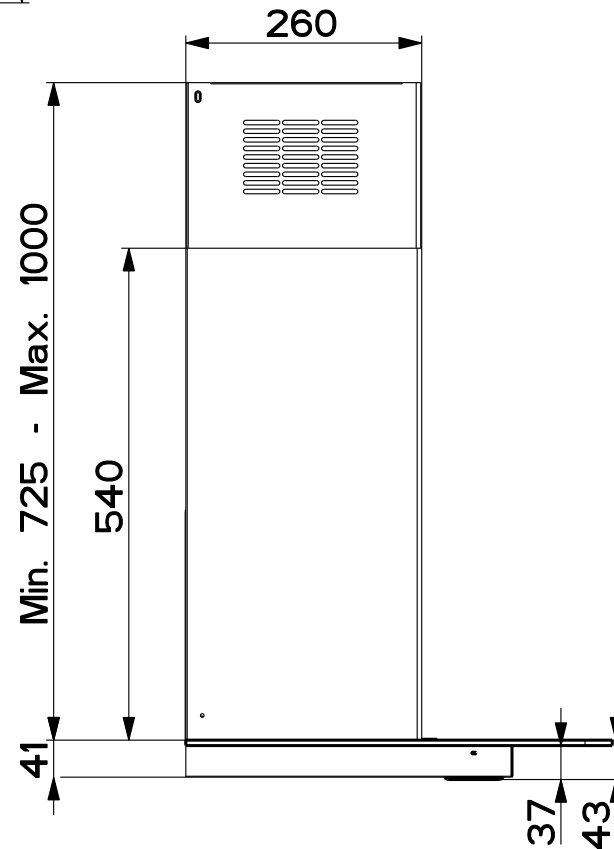
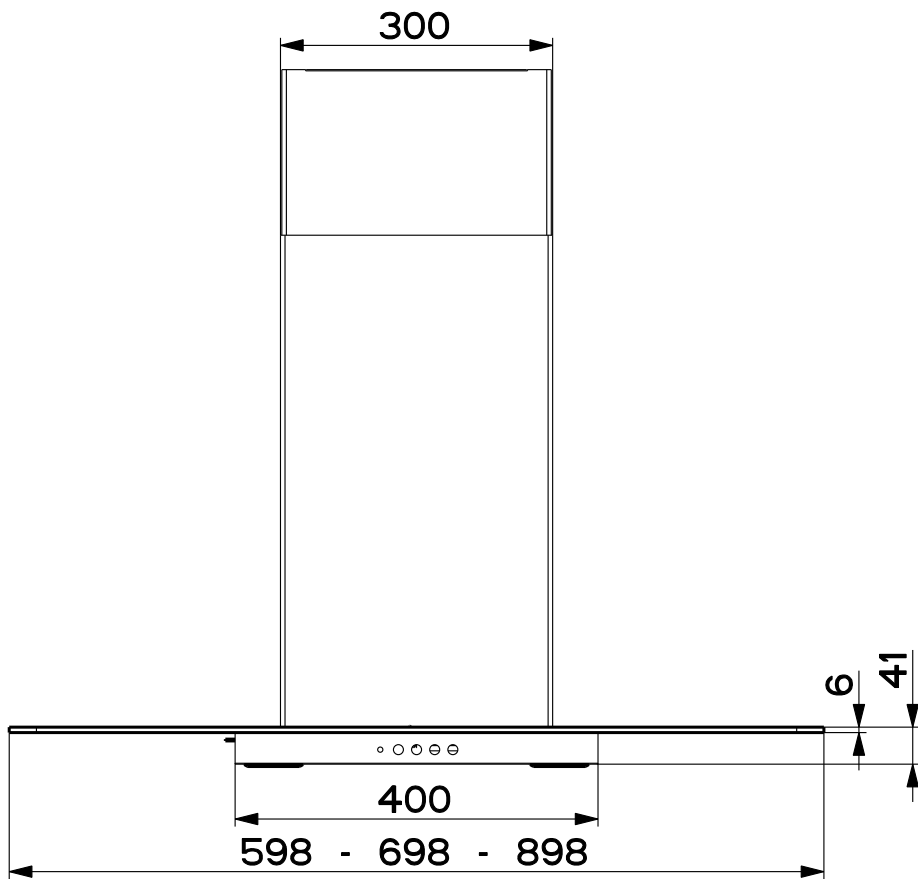
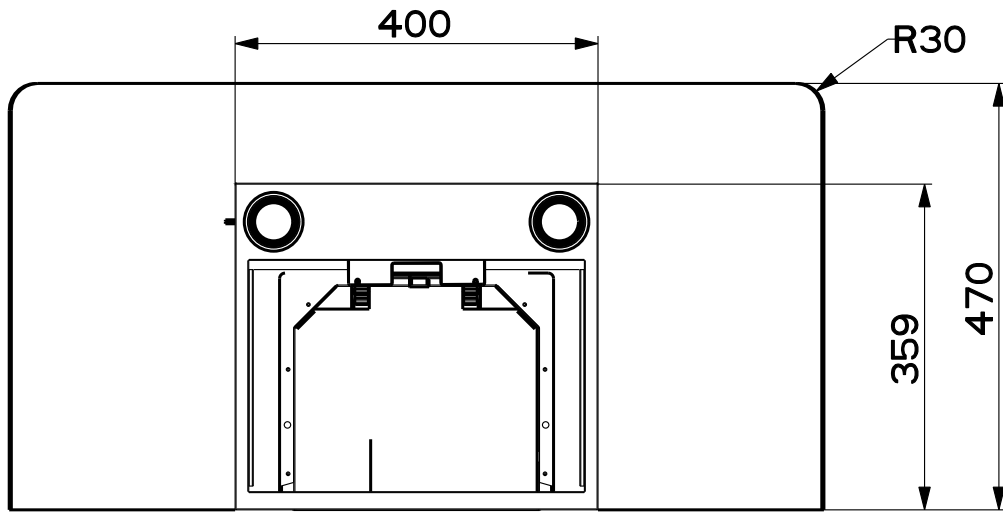



Created by tcimport	
Denomination COOKER HOOD ASSEMBLY	
Lang EN 	Sheet 1/2
Modif. by KAD3	
Approved by Bellucci, Daniele	
Approval date 02-Feb-2017	
Doc. status Released	
Drawing N. AP9_800	Rev 02



Created by timport	
Denomination COOKER HOOD ASSEMBLY	
Lang EN 	Sheet 2/2
Modif.by KAD3	
Approved by Bellucci, Daniele	
Approval date 02-Feb-2017	
Doc. status Released	
Drawing N. AP9_800	Rev 02