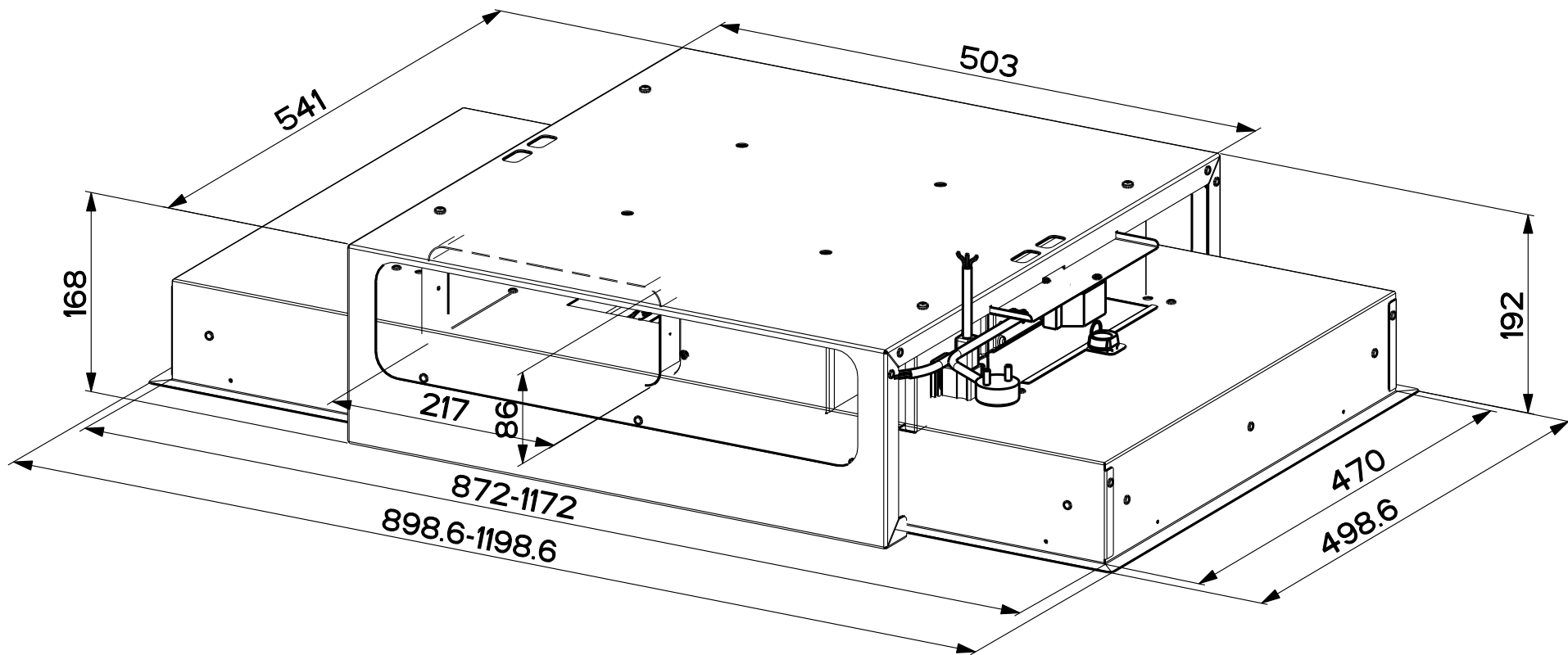


Created by Bellucci, Daniele	
Denomination DIMENSIONAL DRAWING FLAT CEILING 90-120X50 VELO	
Lang EN	Sheet 1/2
Modif. by KAD3	
Approved by Bellucci, Daniele	
Approval date 16-May-2017	
Doc. status Released	
Drawing N. 59A_808	Rev 02



Created by **Bellucci, Daniele**

Denomination
DIMENSIONAL DRAWING FLAT CEILING 90-120X50 VELO

Lang **EN**  Sheet **2/2**

Modif.by **KAD3**

Approved by **Bellucci, Daniele**

Approval date **16-May-2017**

Doc. status **Released**

Drawing N.
59A_808

Rev
02