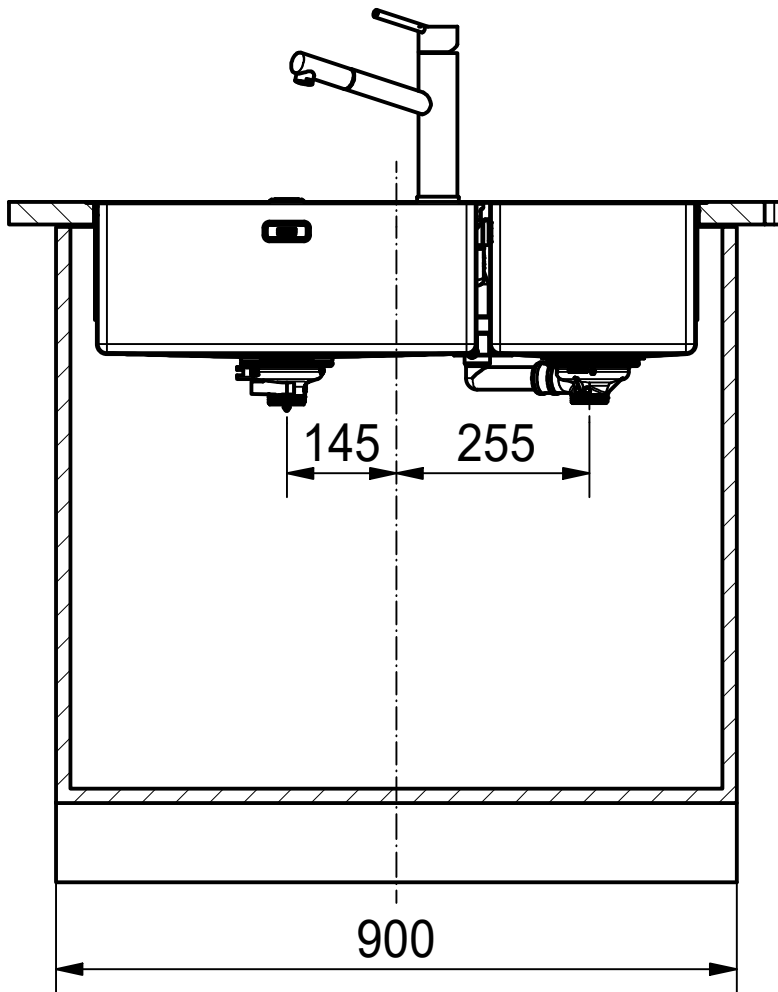


DF



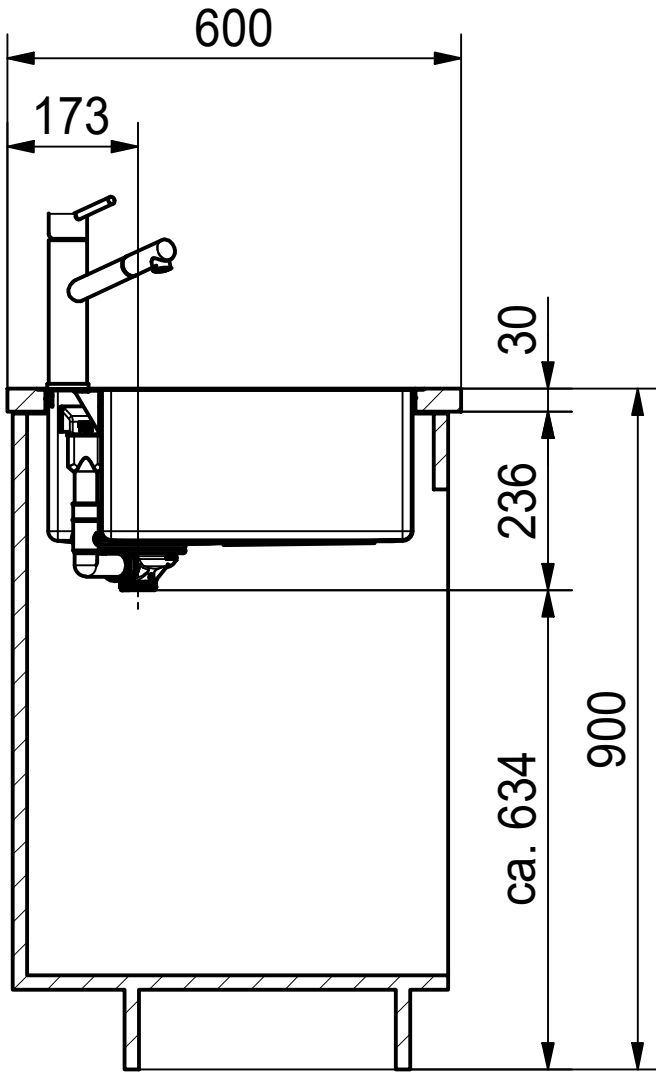
Drawing No.	20139412_01	Revision	-
Drawn Date	20.05.2019		
<small>These drawings and specifications are the property of Franke Technology and Trademark Ltd. and shall not be reproduced, copied or transferred to any third party without the prior written permission of Franke Technology and Trademark Ltd., Hergiswil, Switzerland</small>			



BXX 220-50-27 TL SBR SI

Sheet	Sheets
1	6

DS



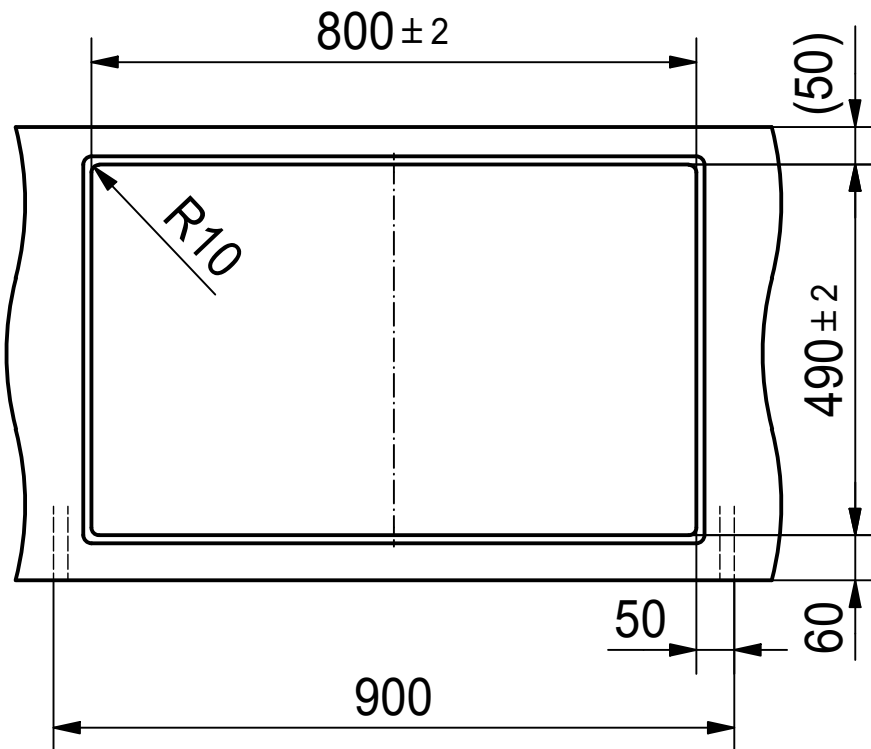
Drawing No.	20139412_01	Revision	-
Drawn Date	20.05.2019		
<small>These drawings and specifications are the property of Franke Technology and Trademark Ltd. and shall not be reproduced, copied or transferred to any third party without the prior written permission of Franke Technology and Trademark Ltd., Hergiswil, Switzerland</small>			



BXX 220-50-27 TL SBR SI

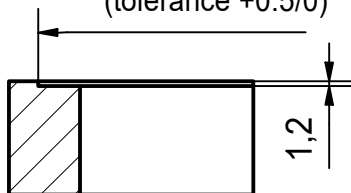
Sheet	Sheets
2	6

CO



for flush fit only

822 x 512 R11
(tolerance +0.5/0)



Drawing No.	20139412_01	Revision	-
Drawn Date	20.05.2019		
<small>These drawings and specifications are the property of Franke Technology and Trademark Ltd. and shall not be reproduced, copied or transferred to any third party without the prior written permission of Franke Technology and Trademark Ltd., Hergiswil, Switzerland</small>			



BXX 220-50-27 TL SBR SI

Sheet	Sheets
3	6

CNC



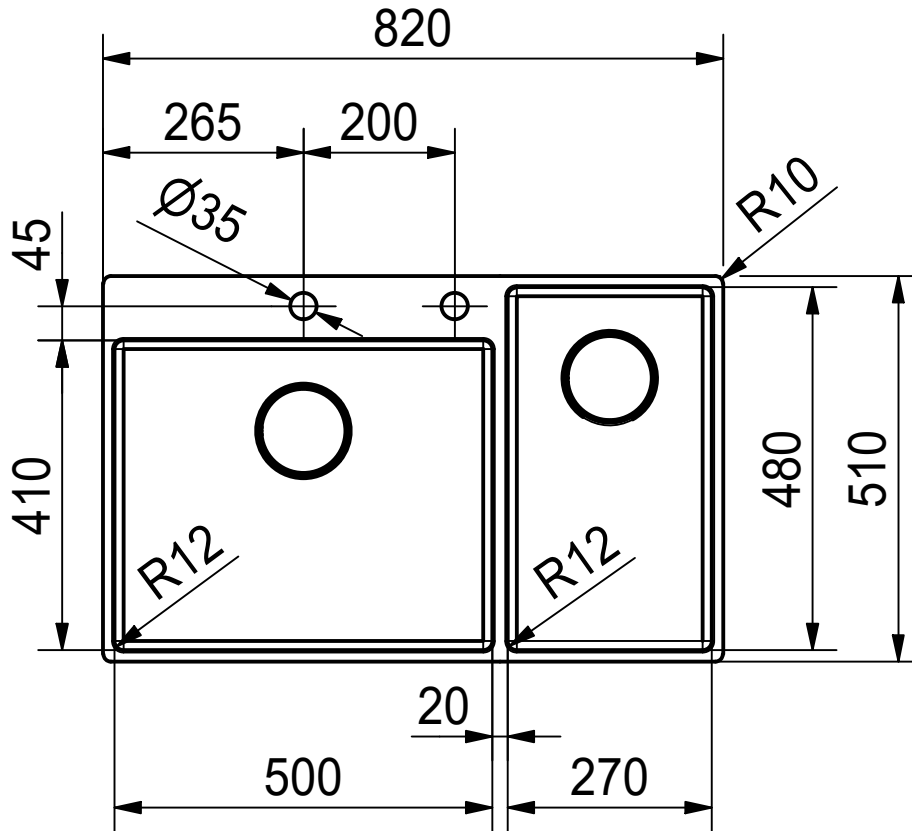
Drawing No.	20139412_01	Revision	-
Drawn Date	20.05.2019		
<small>These drawings and specifications are the property of Franke Technology and Trademark Ltd. and shall not be reproduced, copied or transferred to any third party without the prior written permission of Franke Technology and Trademark Ltd., Hergiswil, Switzerland</small>			



BXX 220-50-27 TL SBR SI

Sheet	Sheets
4	6

DT



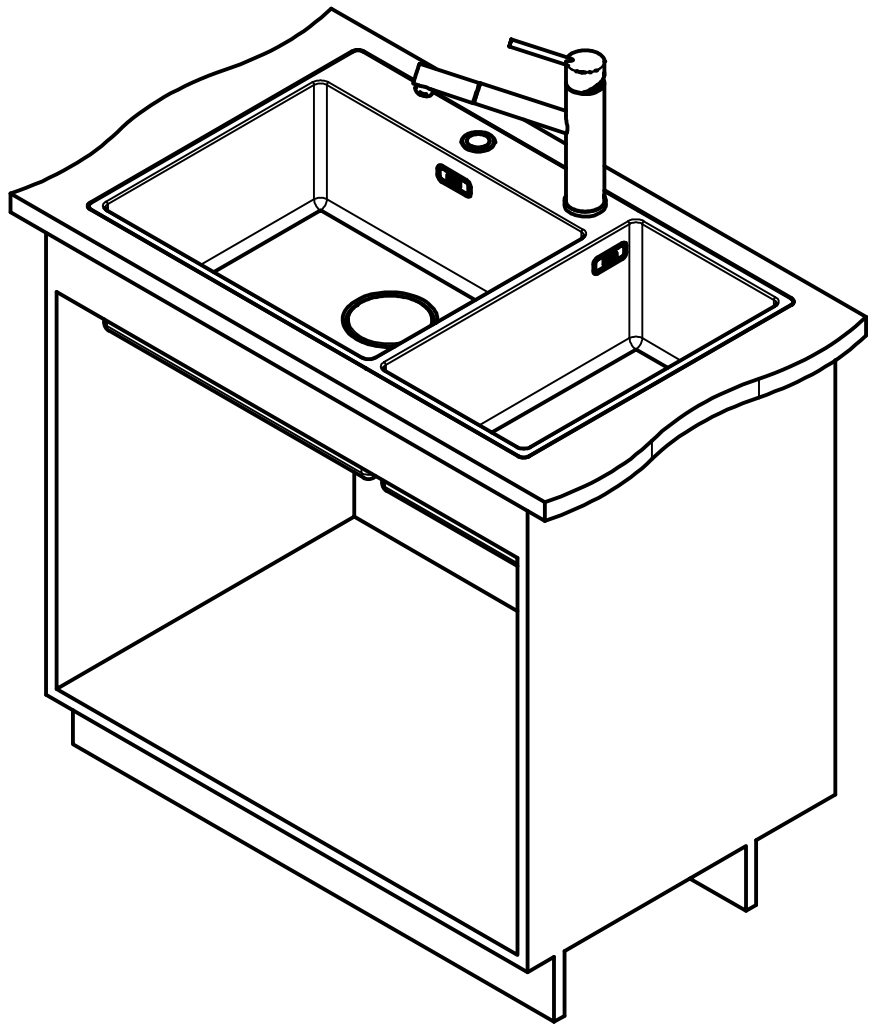
Drawing No.	20139412_01	Revision	-
Drawn Date	20.05.2019		
<small>These drawings and specifications are the property of Franke Technology and Trademark Ltd. and shall not be reproduced, copied or transferred to any third party without the prior written permission of Franke Technology and Trademark Ltd., Hergiswil, Switzerland</small>			



BXX 220-50-27 TL SBR SI

Sheet	Sheets
5	6

ISO



Drawing No.	20139412_01	Revision	-
Drawn Date	20.05.2019		
<small>These drawings and specifications are the property of Franke Technology and Trademark Ltd. and shall not be reproduced, copied or transferred to any third party without the prior written permission of Franke Technology and Trademark Ltd., Hergiswil, Switzerland</small>			



BXX 220-50-27 TL SBR SI

Sheet	Sheets
6	6