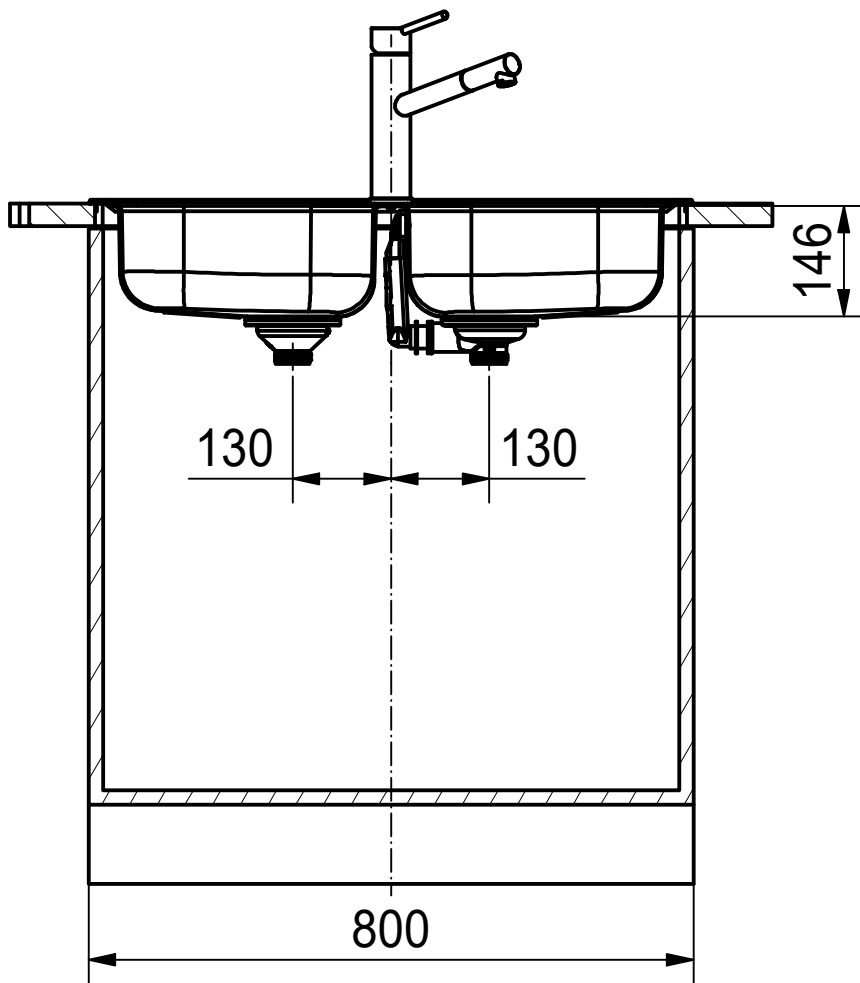


DF



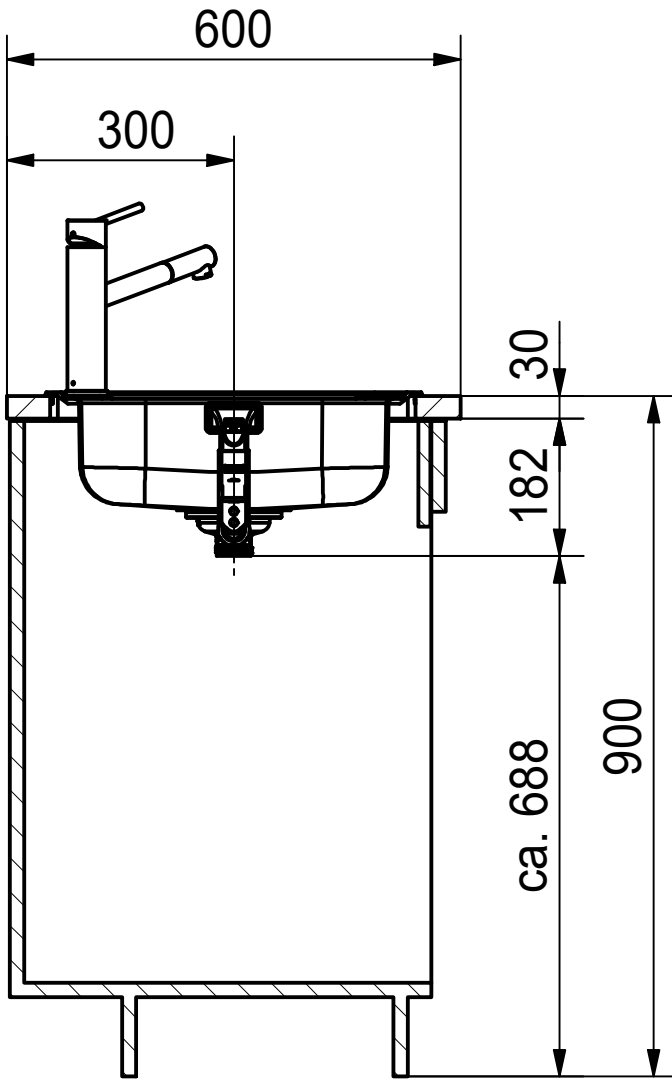
Drawing No.	20258860_02	Revision	A
Drawn Date	26.10.2023		
These drawings and specifications are the property of Franke Technology and Trademark Ltd., Hergiswil, Switzerland.			



SK 620-80x50 TL SI  
Installing document

Sheet	Sheets
1	6

DS



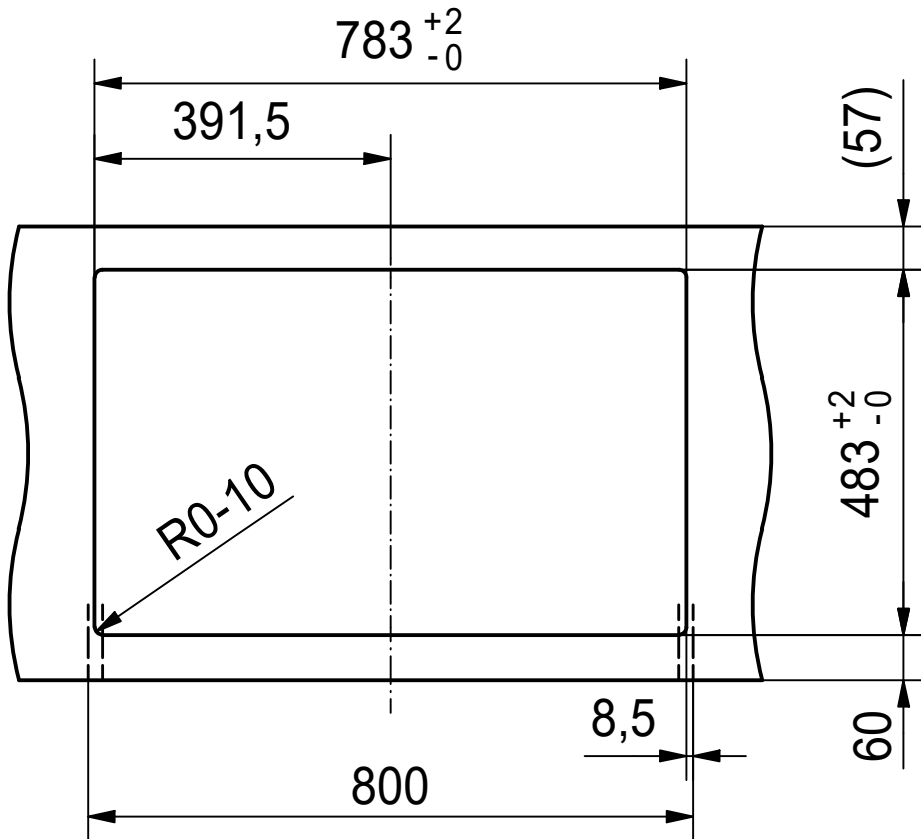
Drawing No.	20258860_02	Revision	A
Drawn Date	26.10.2023		
These drawings and specifications are the property of Franke Technology and Trademark Ltd., Hergiswil, Switzerland.			



SK 620-80x50 TL SI  
Installing document

Sheet	Sheets
2	6

CO



Drawing No.	20258860_02	Revision	A
Drawn Date	26.10.2023		
These drawings and specifications are the property of Franke Technology and Trademark Ltd., Hergiswil, Switzerland.			



SK 620-80x50 TL SI  
Installing document

Sheet	Sheets
3	6

**CNC**



Drawing No. 20258860\_02 Revision A

Drawn Date 26.10.2023

These drawings and specifications are the property of Franke Technology and Trademark Ltd., Hergiswil, Switzerland.

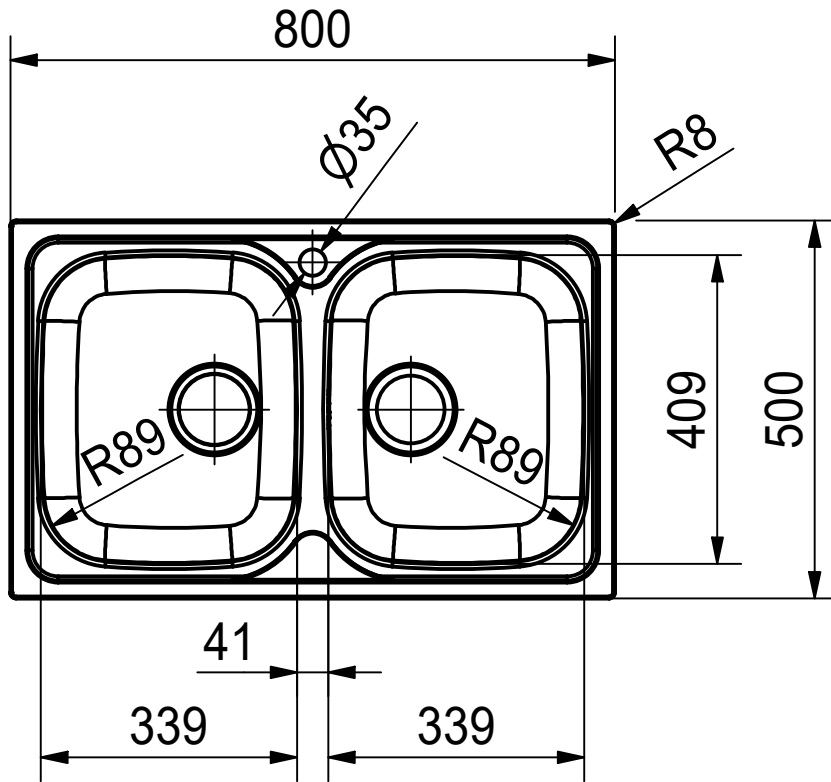


**SK 620-80x50 TL SI**  
Installing document

Sheet Sheets

4 6

DT



Drawing No. 20258860\_02 Revision A

Drawn Date 26.10.2023

These drawings and specifications are the property of Franke Technology and Trademark Ltd., Hergiswil, Switzerland.

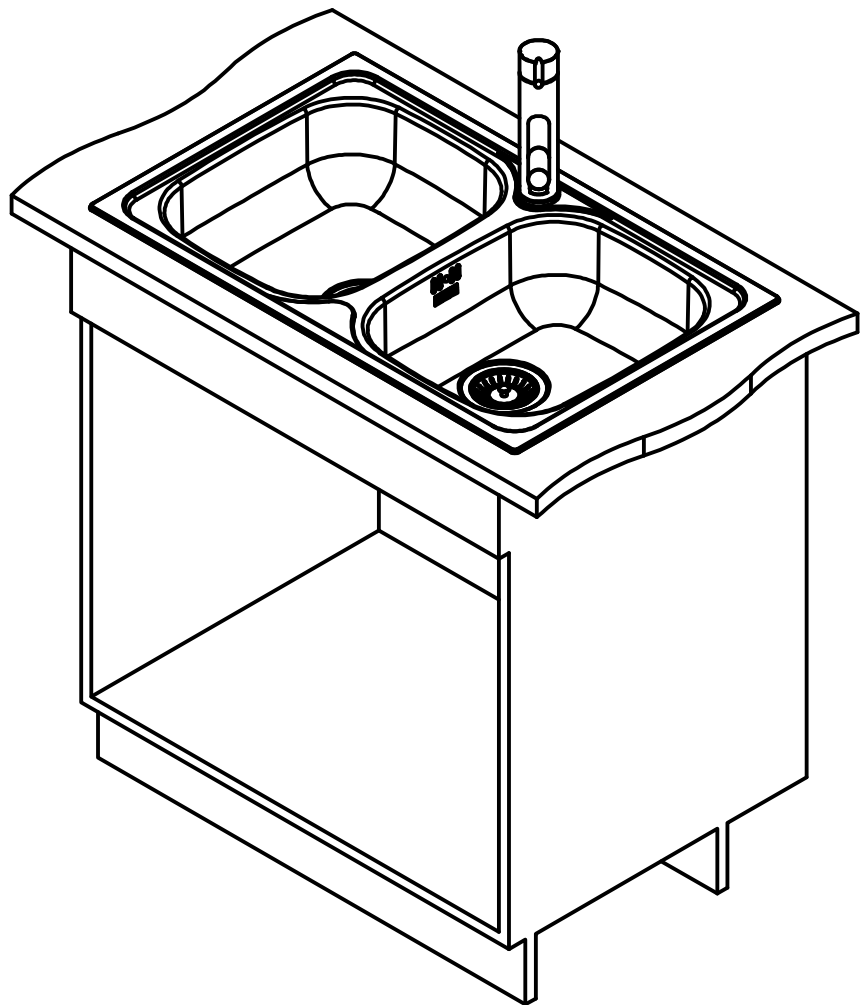
**FRANKE**

SK 620-80x50 TL SI  
Installing document

Sheet Sheets

5 6

ISO



Drawing No.	20258860_02	Revision	A
Drawn Date	26.10.2023		
These drawings and specifications are the property of Franke Technology and Trademark Ltd., Hergiswil, Switzerland.			



SK 620-80x50 TL SI  
Installing document

Sheet	Sheets
6	6