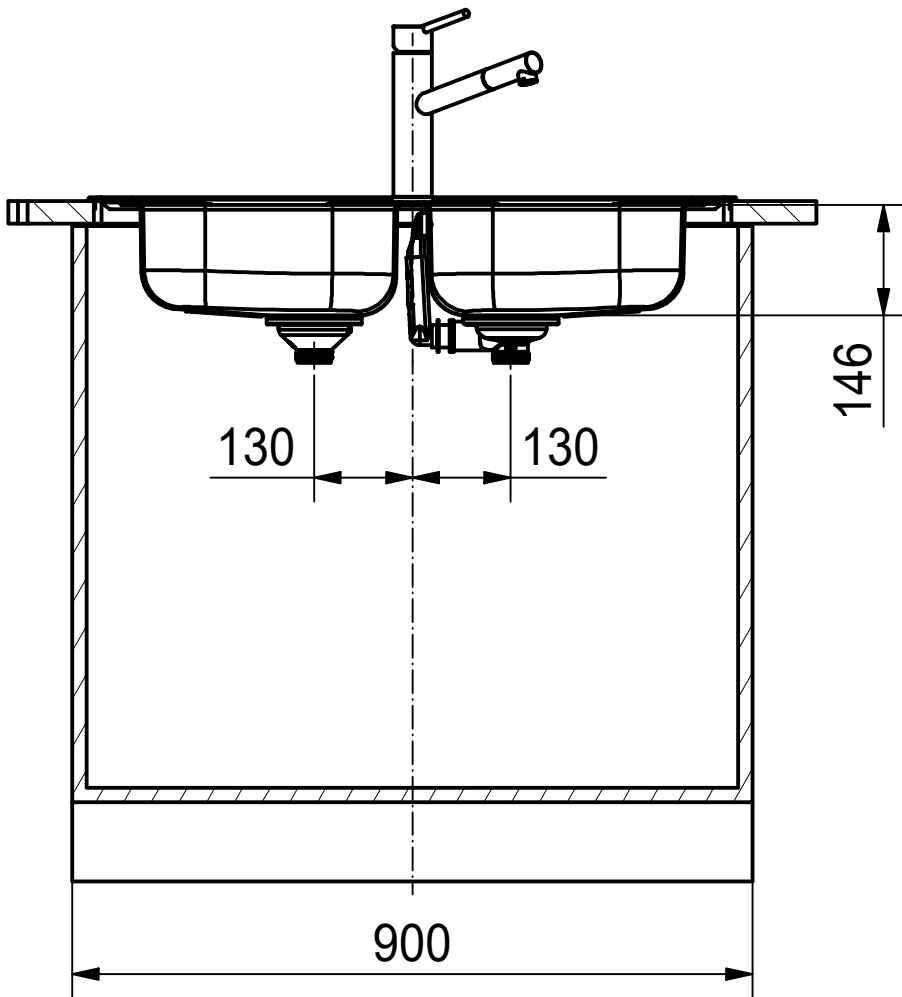


DF



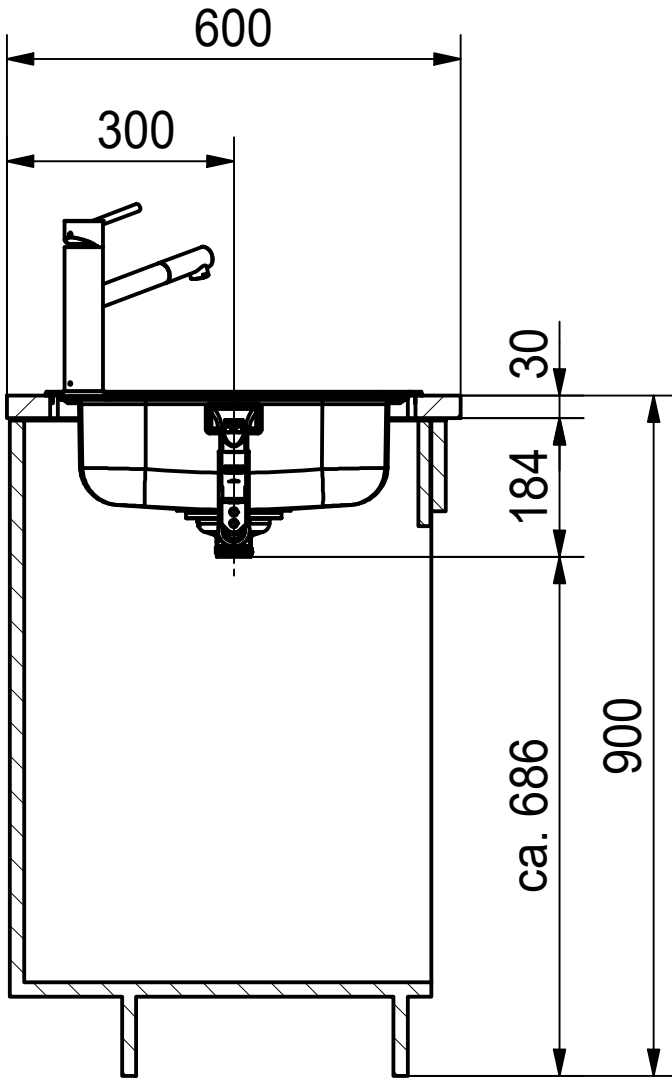
Drawing No.	20258841_02	Revision	A
Drawn Date	26.10.2023		
These drawings and specifications are the property of Franke Technology and Trademark Ltd., Hergiswil, Switzerland.			



SK 620-86x50 TL SI
Installing document

Sheet	Sheets
1	6

DS



Drawing No. 20258841_02
Revision A
Drawn Date 26.10.2023

These drawings and specifications are the property of Franke Technology and Trademark Ltd., Hergiswil, Switzerland.

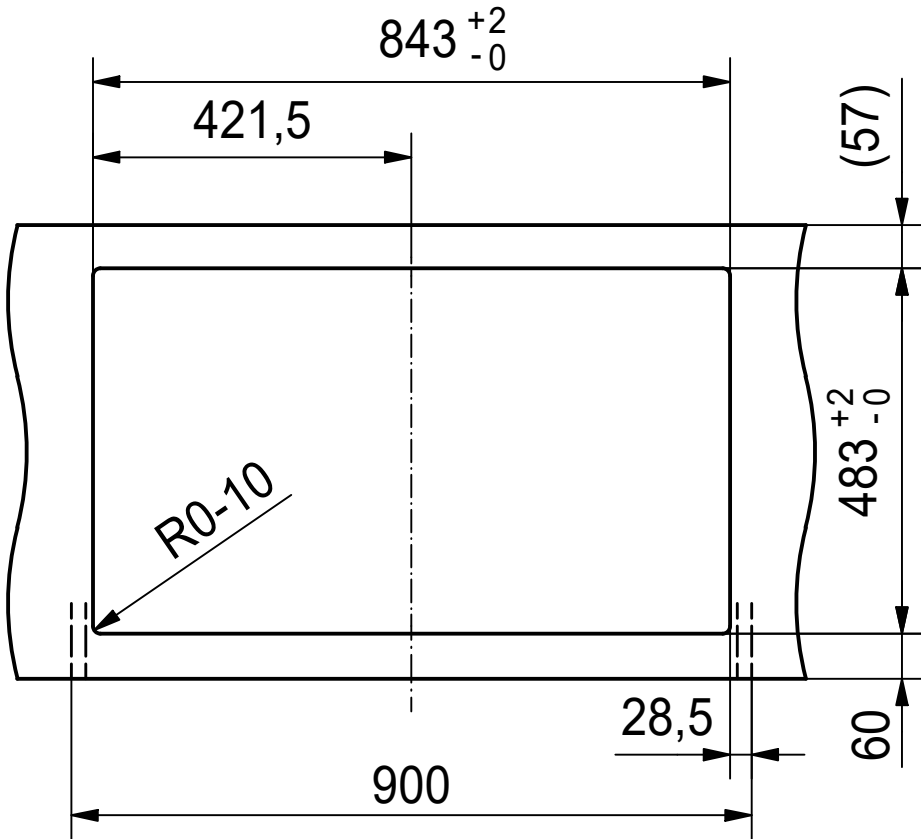


SK 620-86x50 TL SI
Installing document

Sheet Sheets

2 6

CO



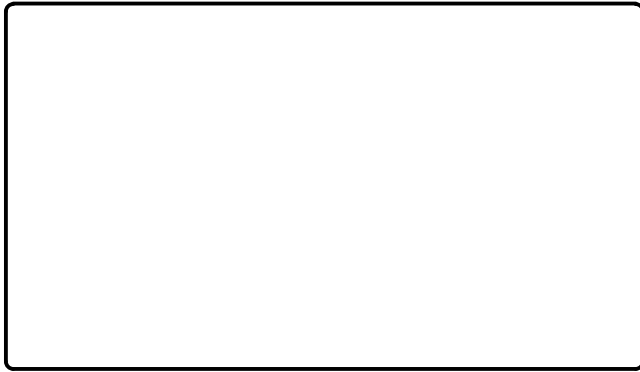
Drawing No.	20258841_02	Revision	A
Drawn Date	26.10.2023		
These drawings and specifications are the property of Franke Technology and Trademark Ltd., Hergiswil, Switzerland.			



SK 620-86x50 TL SI
Installing document

Sheet	Sheets
3	6

CNC



Drawing No. 20258841_02 Revision A

Drawn Date 26.10.2023

These drawings and specifications are the property of Franke Technology and Trademark Ltd., Hergiswil, Switzerland.

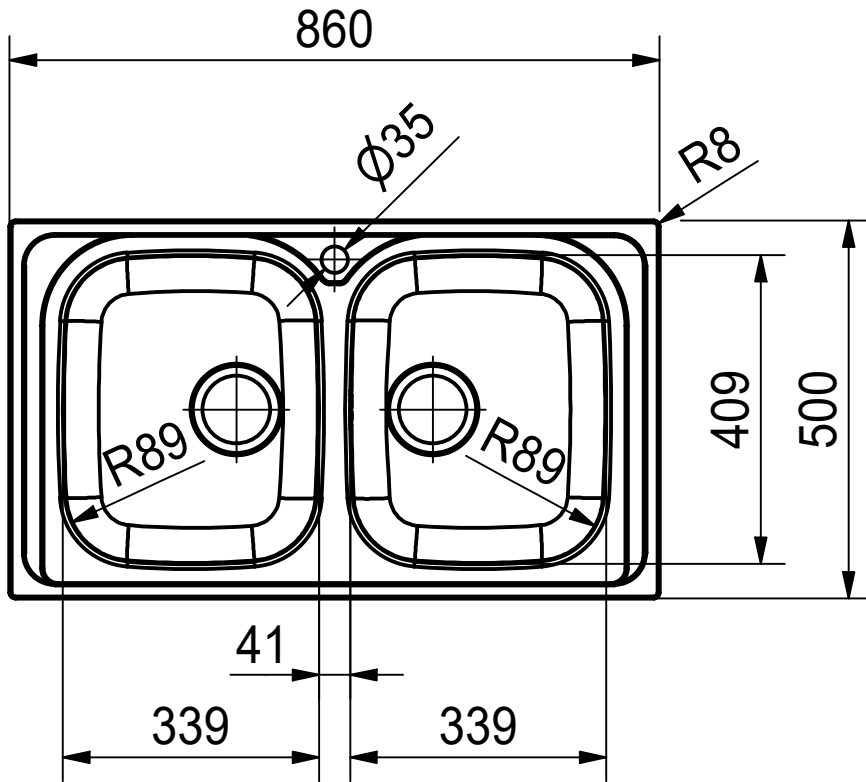


SK 620-86x50 TL SI
Installing document

Sheet Sheets

4 6

DT



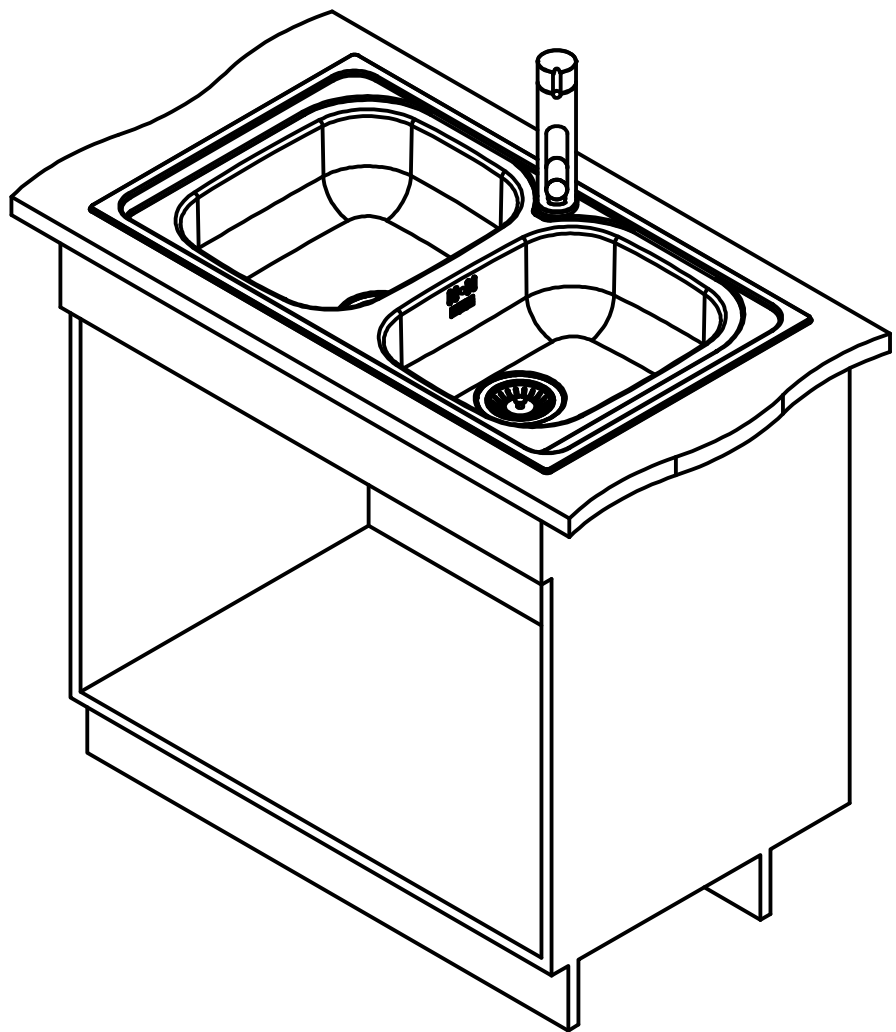
Drawing No.	20258841_02	Revision	A
Drawn Date	26.10.2023		
These drawings and specifications are the property of Franke Technology and Trademark Ltd., Hergiswil, Switzerland.			



SK 620-86x50 TL SI
Installing document

Sheet	Sheets
5	6

ISO



Drawing No. 20258841_02 Revision A

Drawn Date 26.10.2023

These drawings and specifications are the property of Franke Technology and Trademark Ltd., Hergiswil, Switzerland.

FRANKE

SK 620-86x50 TL SI
Installing document

Sheet Sheets

6 6