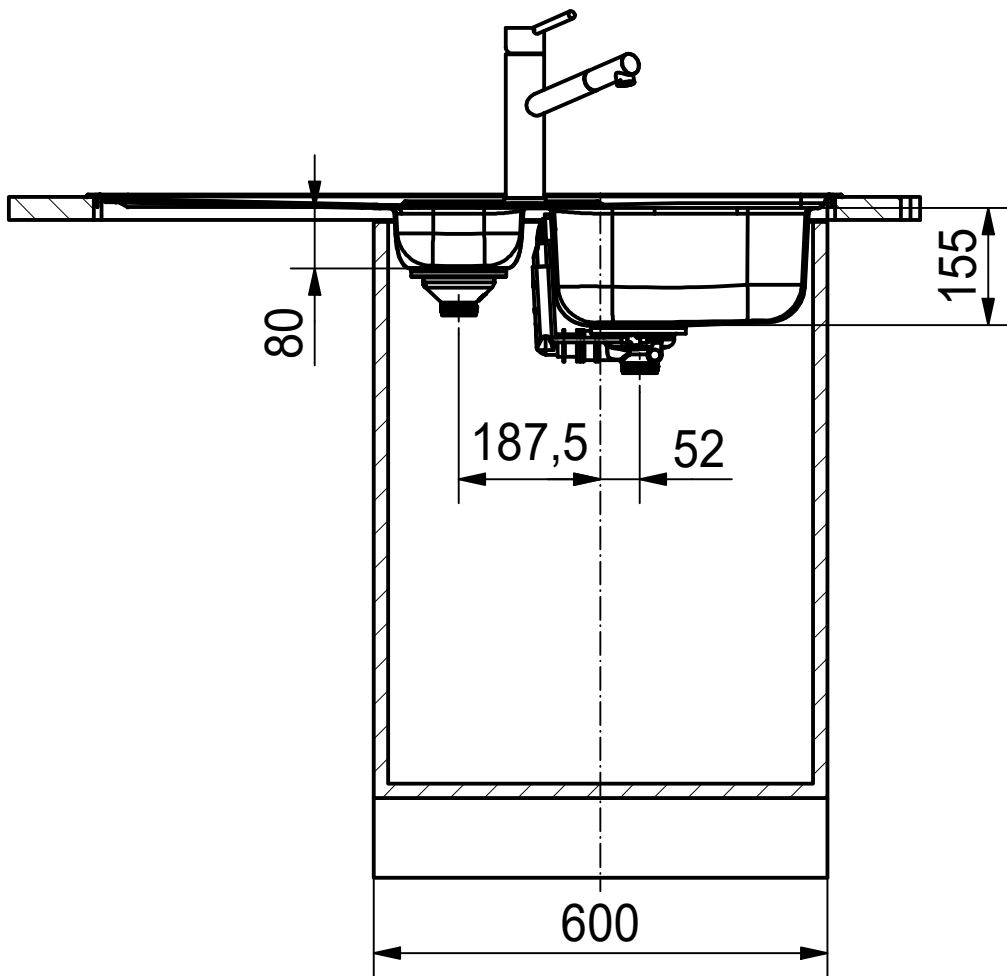


DF



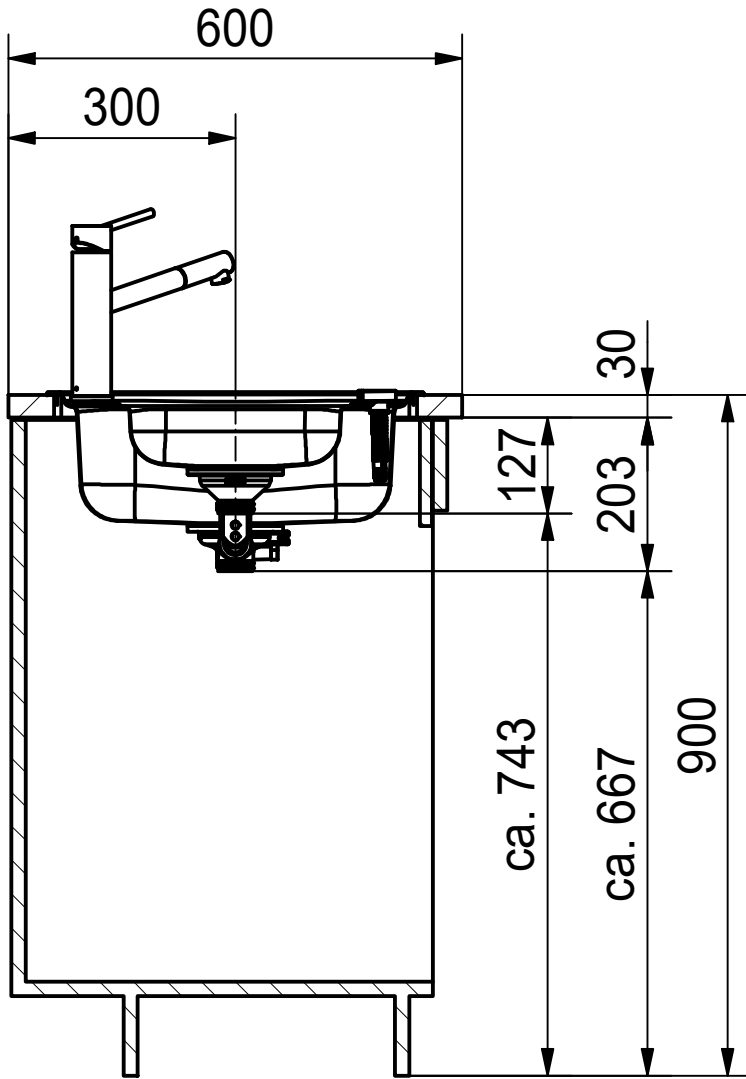
Drawing No.	20255266_01	Revision	-
Drawn Date	18.07.2023		
These drawings and specifications are the property of Franke Technology and Trademark Ltd., Hergiswil, Switzerland.			



FL 651-100x50 rev SI
Installing document

Sheet	Sheets
1	6

DS



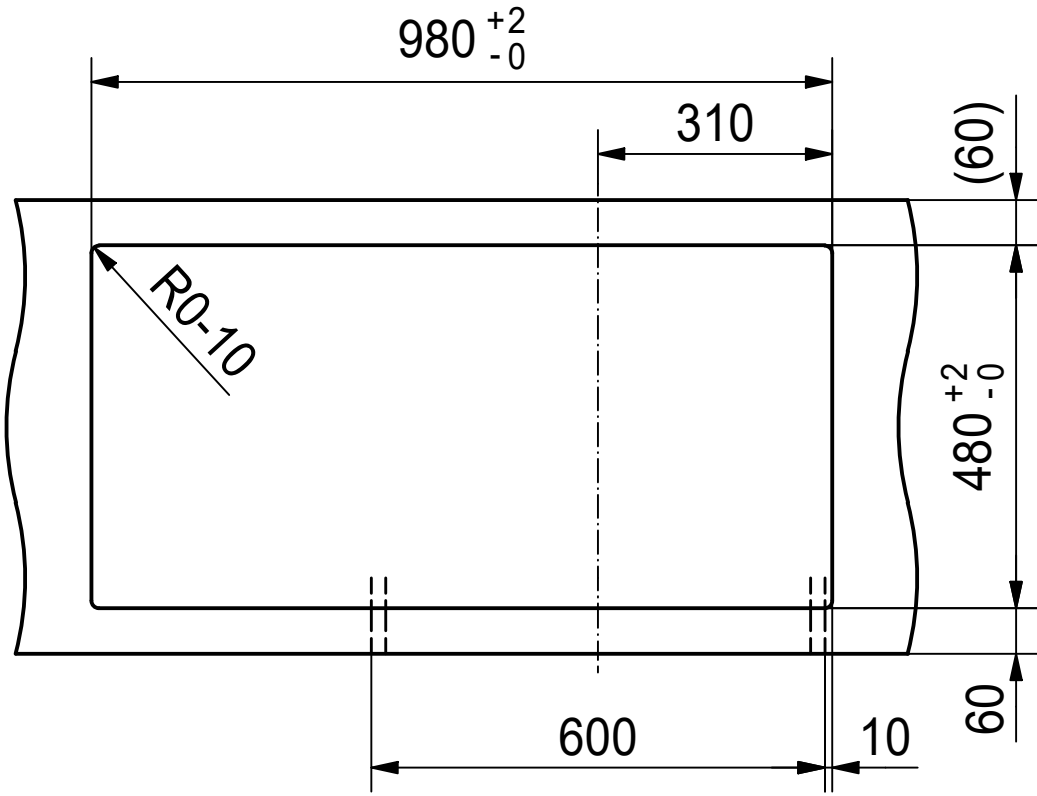
Drawing No.	20255266_01	Revision	-
Drawn Date	18.07.2023		
These drawings and specifications are the property of Franke Technology and Trademark Ltd., Hergiswil, Switzerland.			



FL 651-100x50 rev SI
Installing document

Sheet	Sheets
2	6

CO



Drawing No.	20255266_01	Revision	-
Drawn Date	18.07.2023		
These drawings and specifications are the property of Franke Technology and Trademark Ltd., Hergiswil, Switzerland.			



FL 651-100x50 rev SI
Installing document

Sheet	Sheets
3	6

CNC



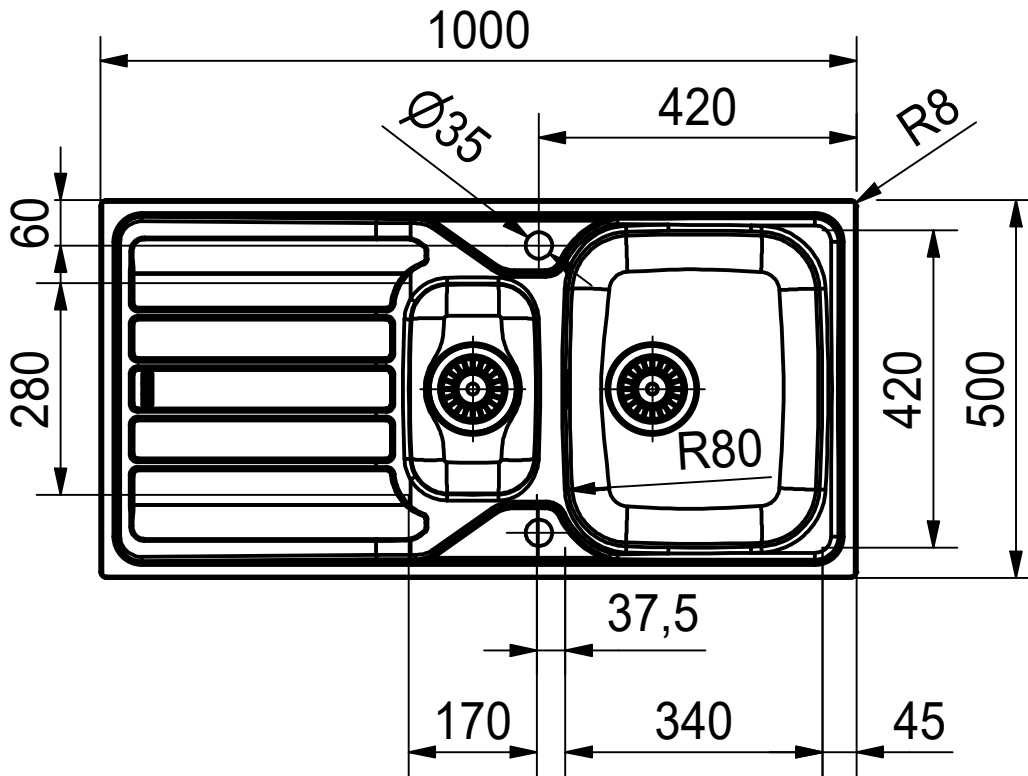
Drawing No.	20255266_01	Revision	-
Drawn Date	18.07.2023		
These drawings and specifications are the property of Franke Technology and Trademark Ltd., Hergiswil, Switzerland.			



FL 651-100x50 rev SI
Installing document

Sheet	Sheets
4	6

DT



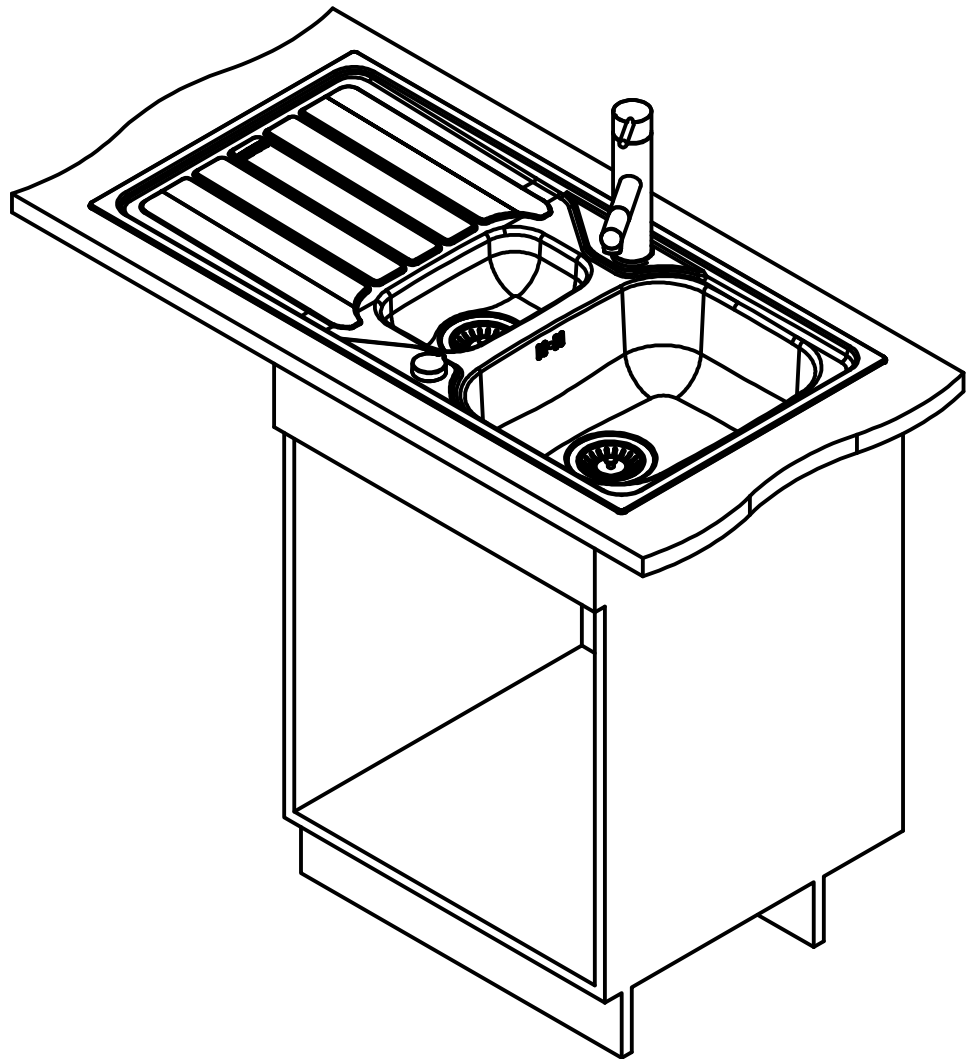
Drawing No.	20255266_01	Revision	-
Drawn Date	18.07.2023		
These drawings and specifications are the property of Franke Technology and Trademark Ltd., Hergiswil, Switzerland.			



FL 651-100x50 rev SI
Installing document

Sheet	Sheets
5	6

ISO



Drawing No.	20255266_01	Revision	-
Drawn Date	18.07.2023		
These drawings and specifications are the property of Franke Technology and Trademark Ltd., Hergiswil, Switzerland.			



FL 651-100x50 rev SI
Installing document

Sheet	Sheets
6	6