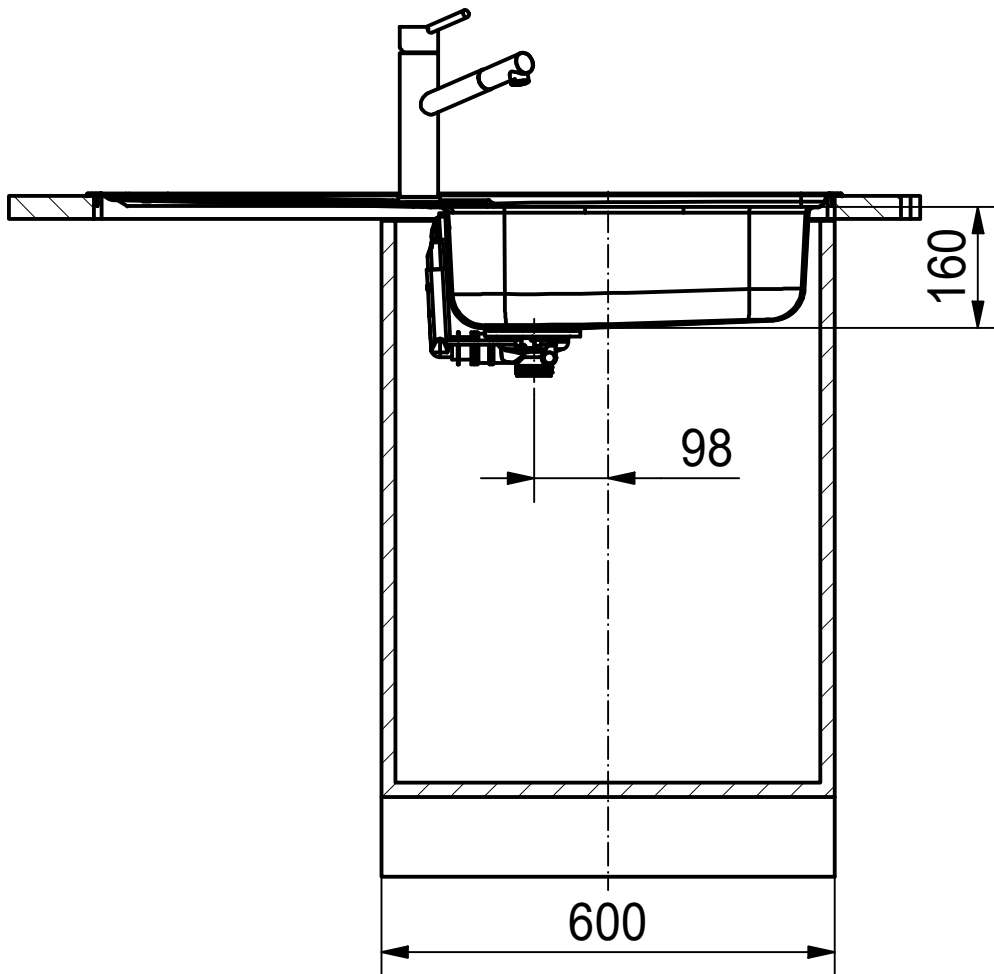


DF



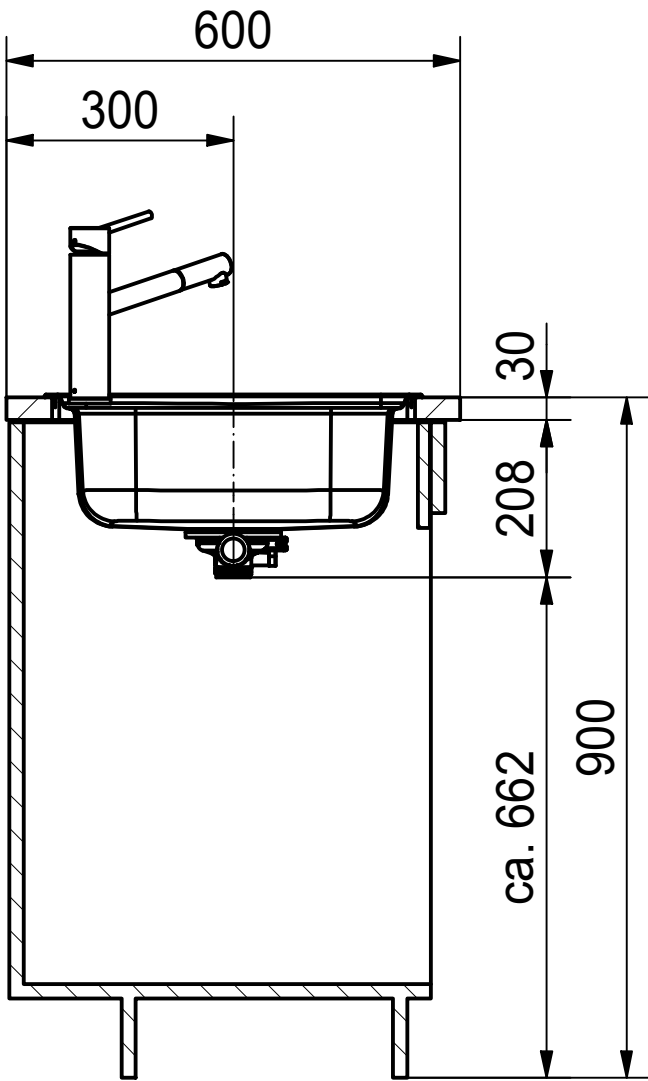
Drawing No.	20254907_01	Revision	-
Drawn Date	11.07.2023		
These drawings and specifications are the property of Franke Technology and Trademark Ltd., Hergiswil, Switzerland.			



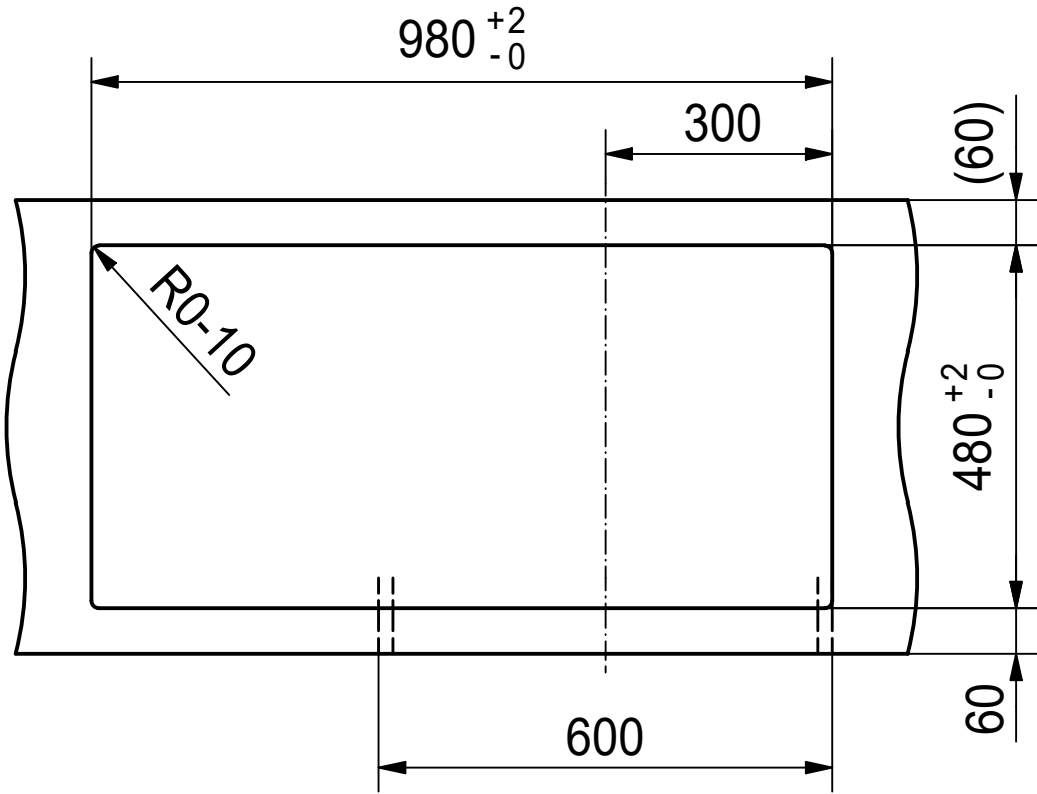
SK 611-100x50 LB rev SI
Installing document

Sheet	Sheets
1	6

DS



CO



Drawing No.	20254907_01	Revision	-
Drawn Date	11.07.2023		
These drawings and specifications are the property of Franke Technology and Trademark Ltd., Hergiswil, Switzerland.			



SK 611-100x50 LB rev SI
Installing document

Sheet	Sheets
3	6

CNC



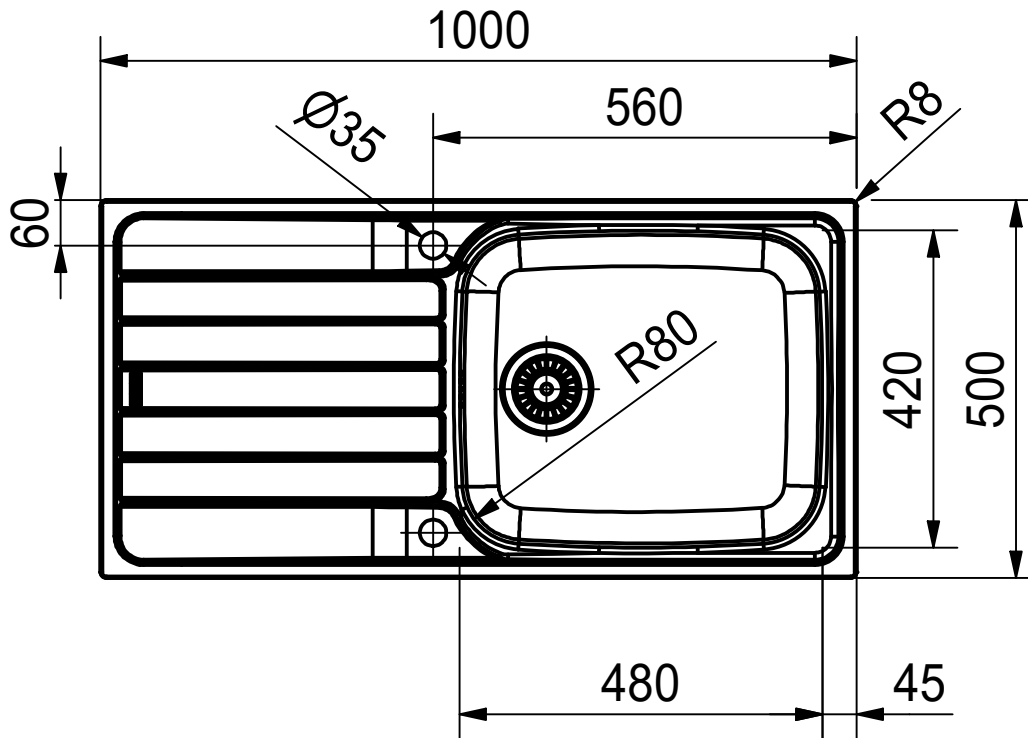
Drawing No.	20254907_01	Revision	-
Drawn Date	11.07.2023		
These drawings and specifications are the property of Franke Technology and Trademark Ltd., Hergiswil, Switzerland.			



SK 611-100x50 LB rev SI
Installing document

Sheet	Sheets
4	6

DT



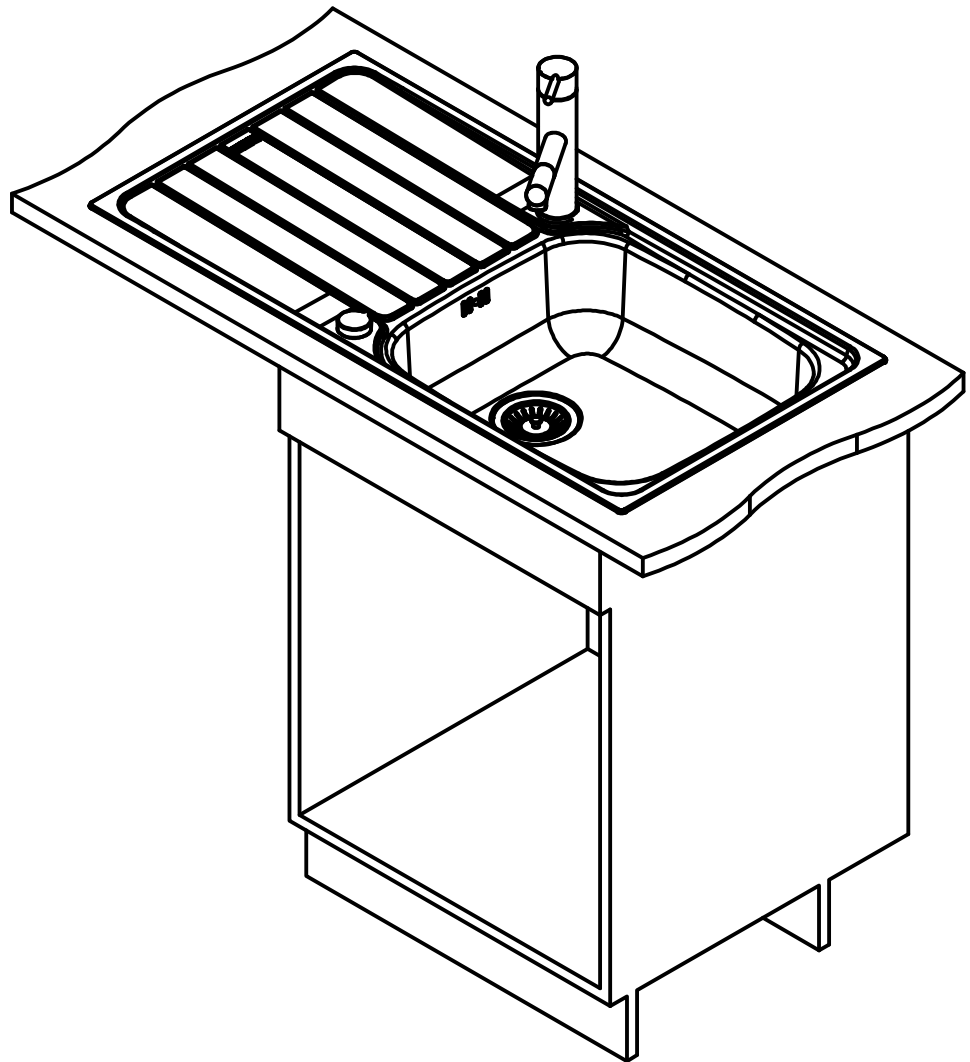
Drawing No.	20254907_01	Revision	-
Drawn Date	11.07.2023		
These drawings and specifications are the property of Franke Technology and Trademark Ltd., Hergiswil, Switzerland.			



SK 611-100x50 LB rev SI
Installing document

Sheet	Sheets
5	6

ISO



Drawing No.	20254907_01	Revision	-
Drawn Date	11.07.2023		
These drawings and specifications are the property of Franke Technology and Trademark Ltd., Hergiswil, Switzerland.			



SK 611-100x50 LB rev SI
Installing document

Sheet	Sheets
6	6