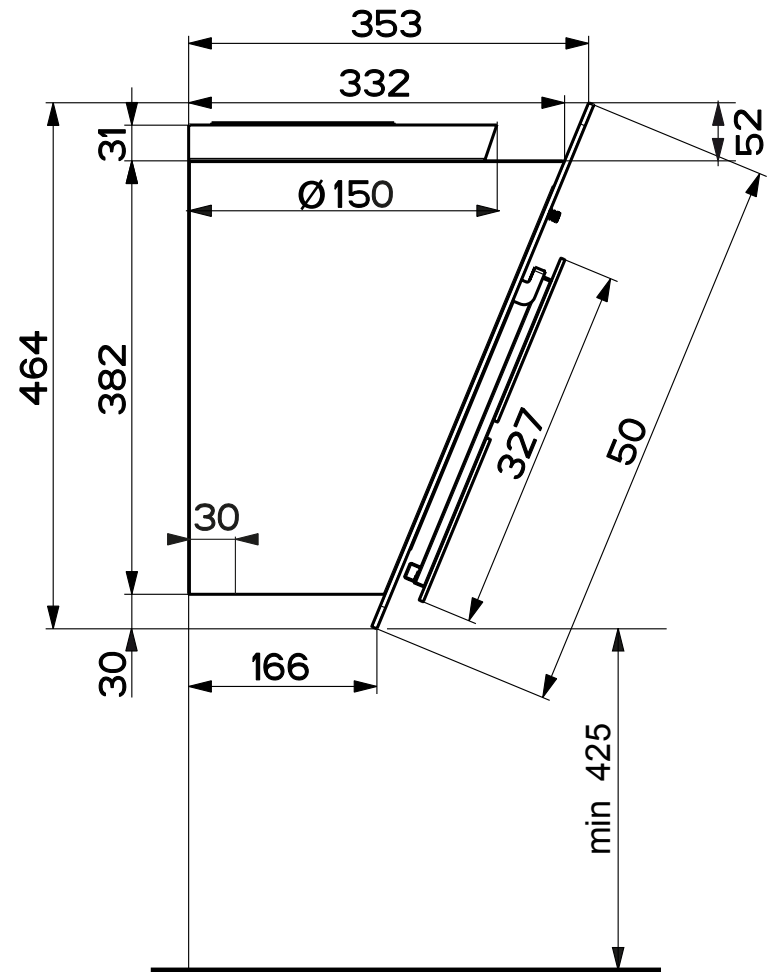
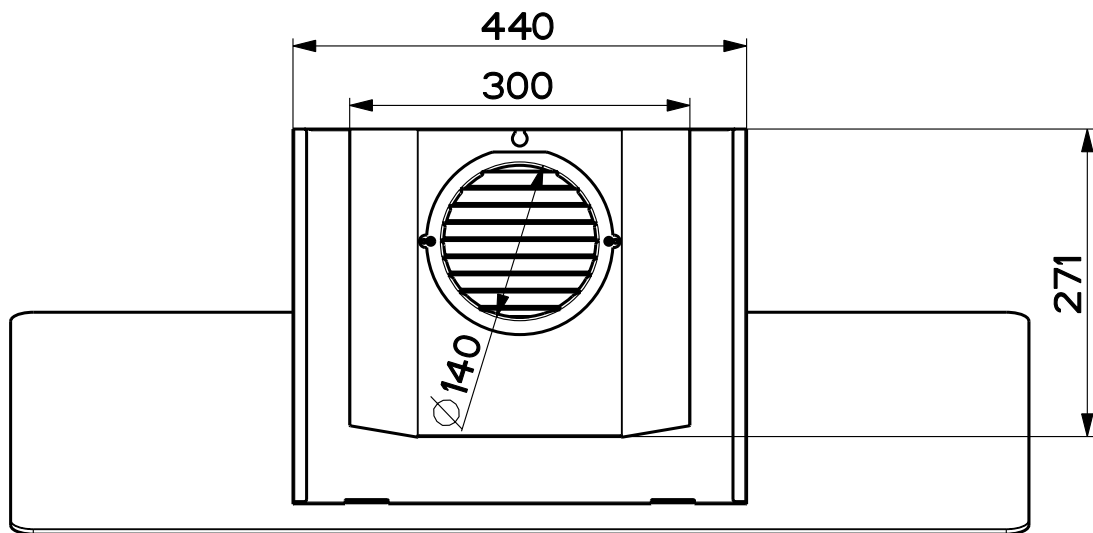
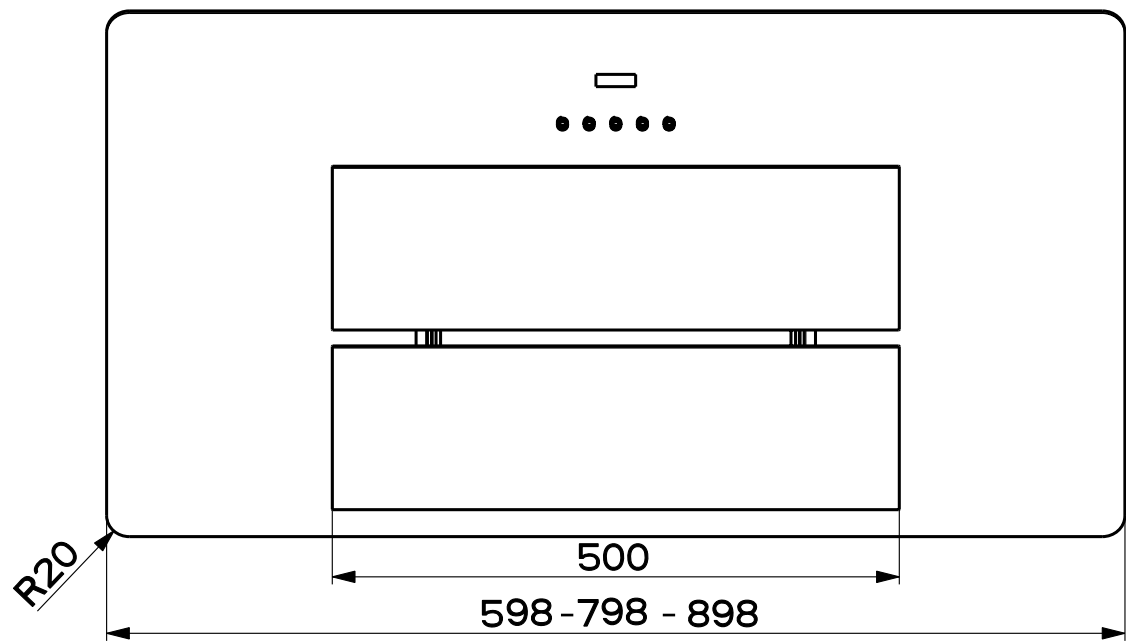


Created by	
Denomination MARIS	
Modif.by -	
Approved by	
Approval date	
Doc. status	
Drawing N. 10A_843	Rev -



Created by	
Denomination MARIS	
Modif.by -	
Approved by	
Approval date	
Doc. status	
Drawing N. 10A_843	Rev -