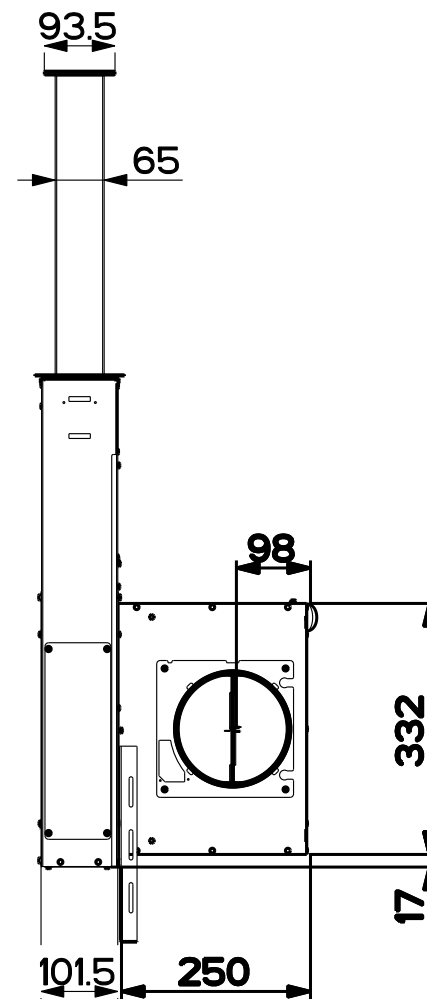
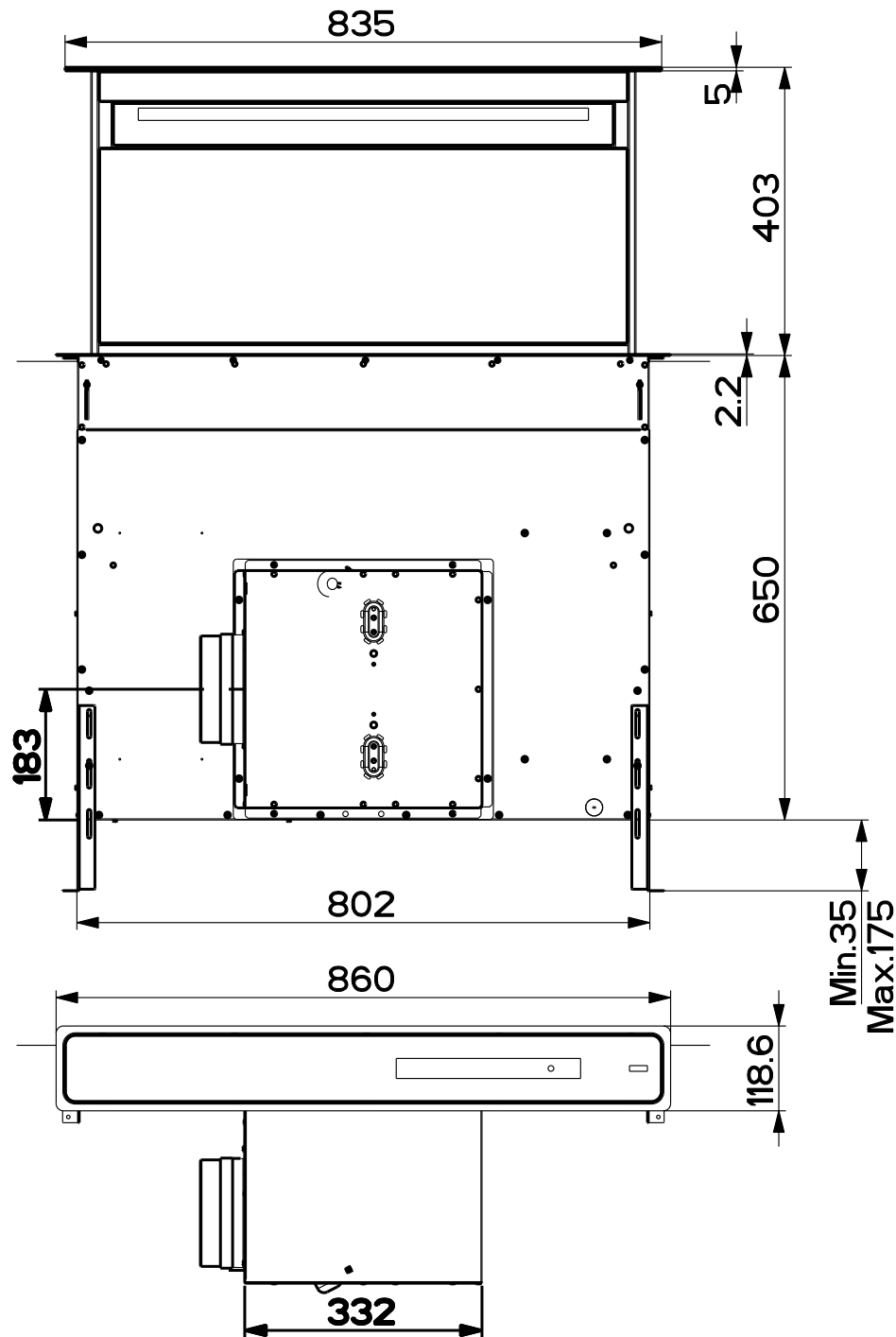


Created by <b>Bellucci, Daniele</b>	
Denomination <b>DIMENSIONAL DRAWING FLAGSHIP</b>	
Lang <b>EN</b>	Sheet <b>1/2</b>
Modif.by -	
Approved by <b>Bellucci, Daniele</b>	
Approval date <b>11-Feb-2016</b>	
Doc. status <b>Released</b>	
Drawing N. <b>28A_767</b>	Rev <b>01</b>



Created by <b>Bellucci, Daniele</b>	
Denomination <b>DIMENSIONAL DRAWING FLAGSHIP</b>	
Lang <b>EN</b>	Sheet <b>2/2</b>
Modif.by -	
Approved by <b>Bellucci, Daniele</b>	
Approval date <b>11-Feb-2016</b>	
Doc. status <b>Released</b>	
Drawing N. <b>28A_767</b>	Rev <b>01</b>