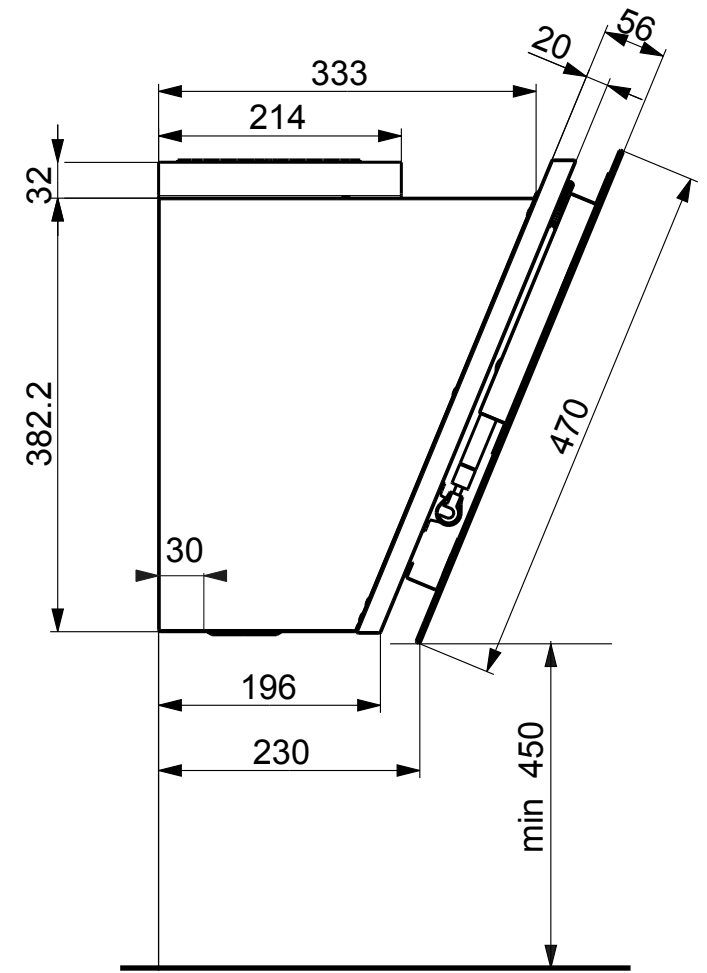
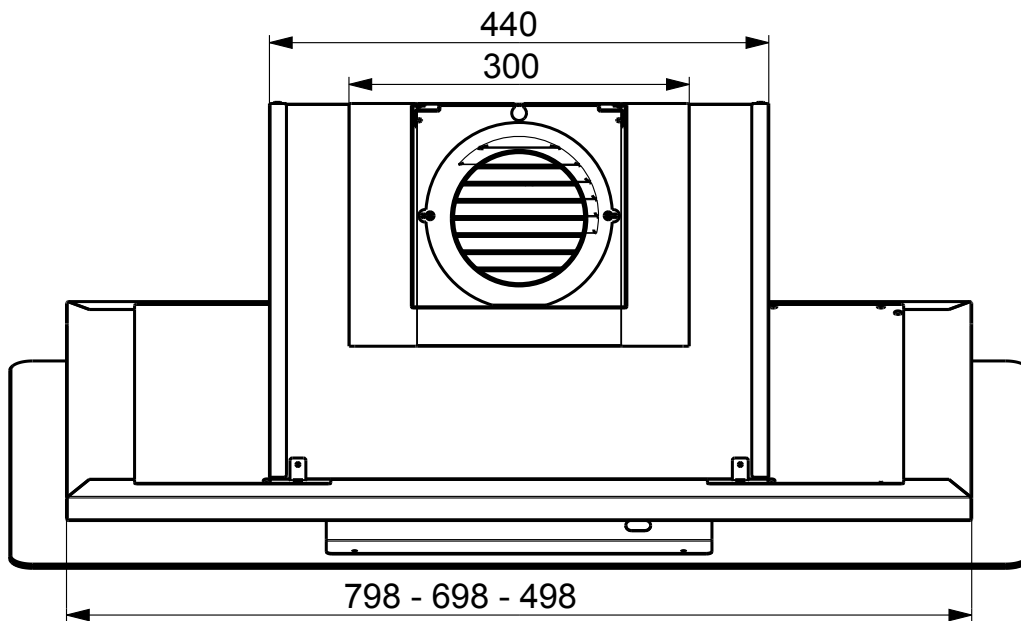
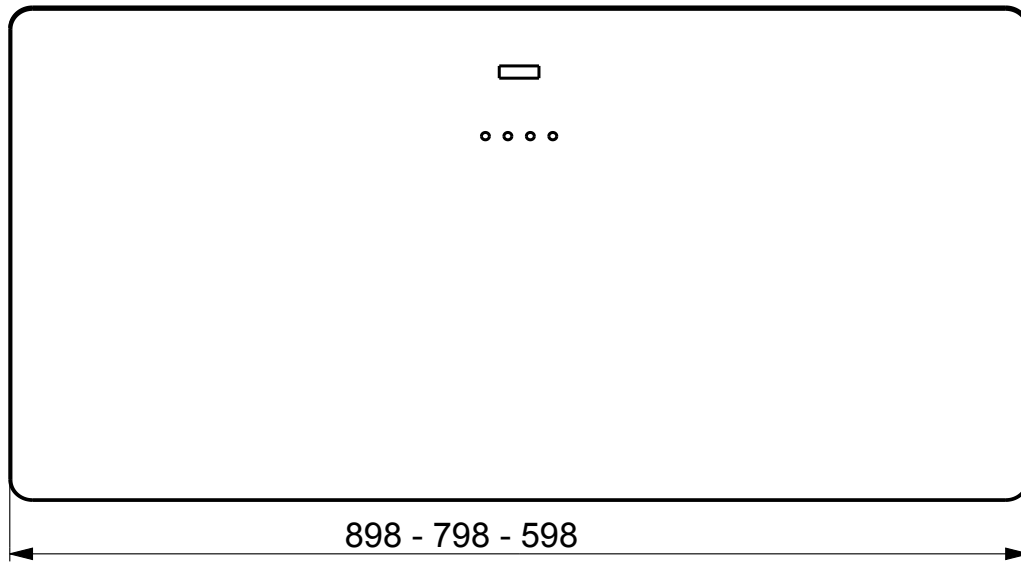


Created by Solutions	
Denomination GENERAL ASS. VERTICAL EVO HIGH FK 90	
Lang EN	Sheet 3 / 4
Modif.by -	
Approved by	
Approval date	
Doc. status	
Drawing N. 47A 883	Rev 01



Created by Solutions	
Denomination GENERAL ASS. VERTICAL EVO HIGH FK 90	
Lang EN	Sheet 4 / 4
Modif.by -	
Approved by	
Approval date	
Doc. status	
Drawing N. 47A 883	Rev 01