
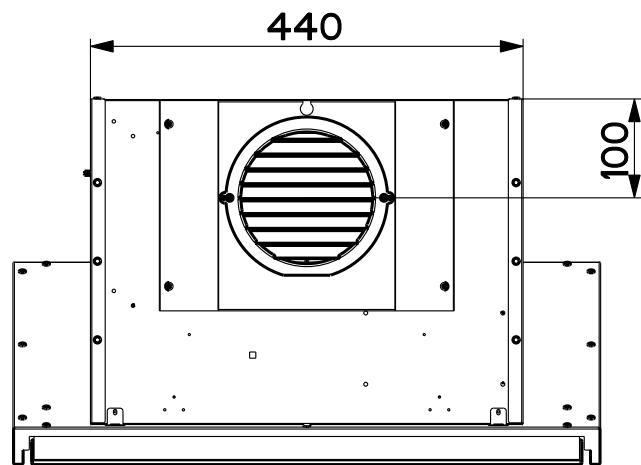
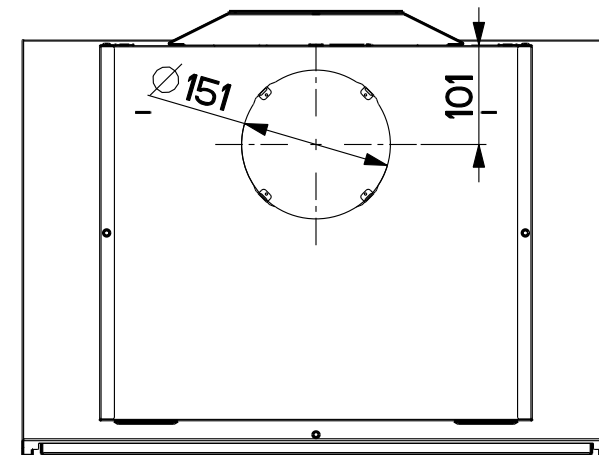
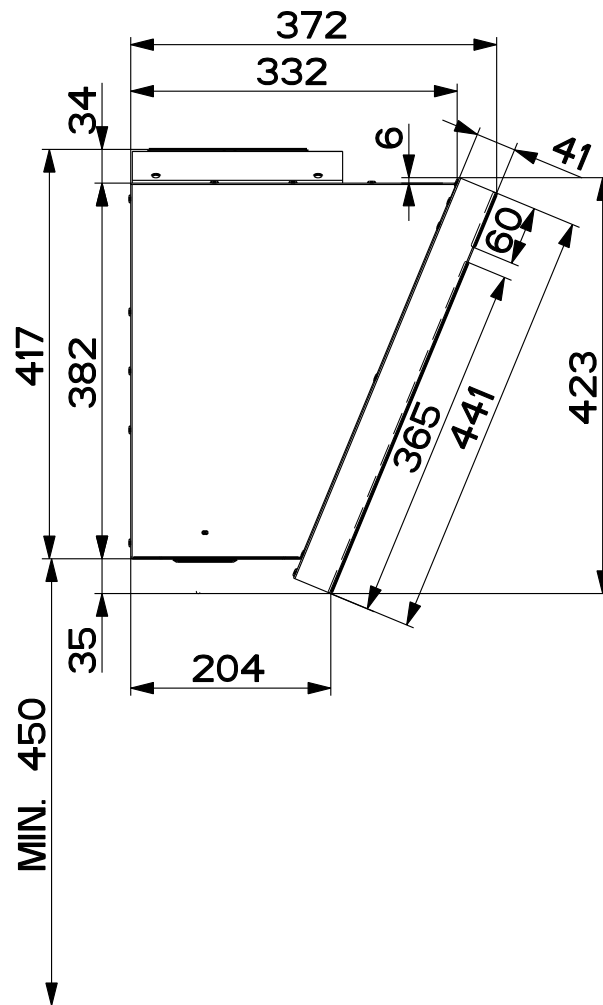
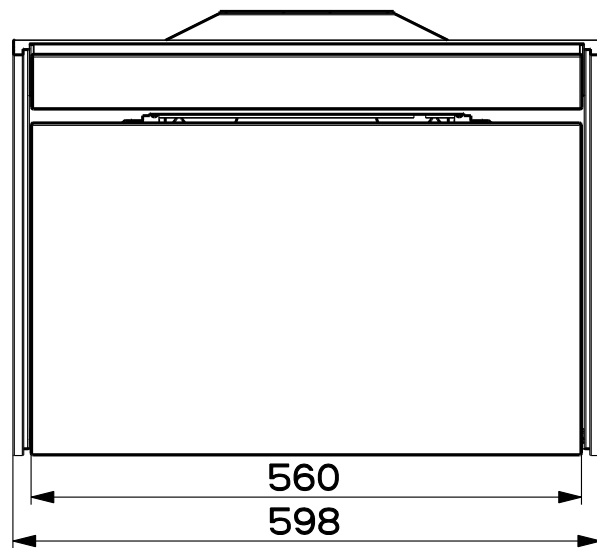


Created by Solutions	
Denomination DIMENSIONAL DRAWING K60	
Lang EN 	Sheet 1/2
Modif.by	
Approved by Romani, Fabio	
Approval date 07-Oct-2015	
Doc. status Released	
Drawing N. 85A_810	Rev 01



Created by Solutions	
Denomination DIMENSIONAL DRAWING K60	
Lang EN	Sheet 2/2
Modif.by	
Approved by Romani, Fabio	
Approval date 07-Oct-2015	
Doc. status Released	
Drawing N. 85A_810	Rev 01