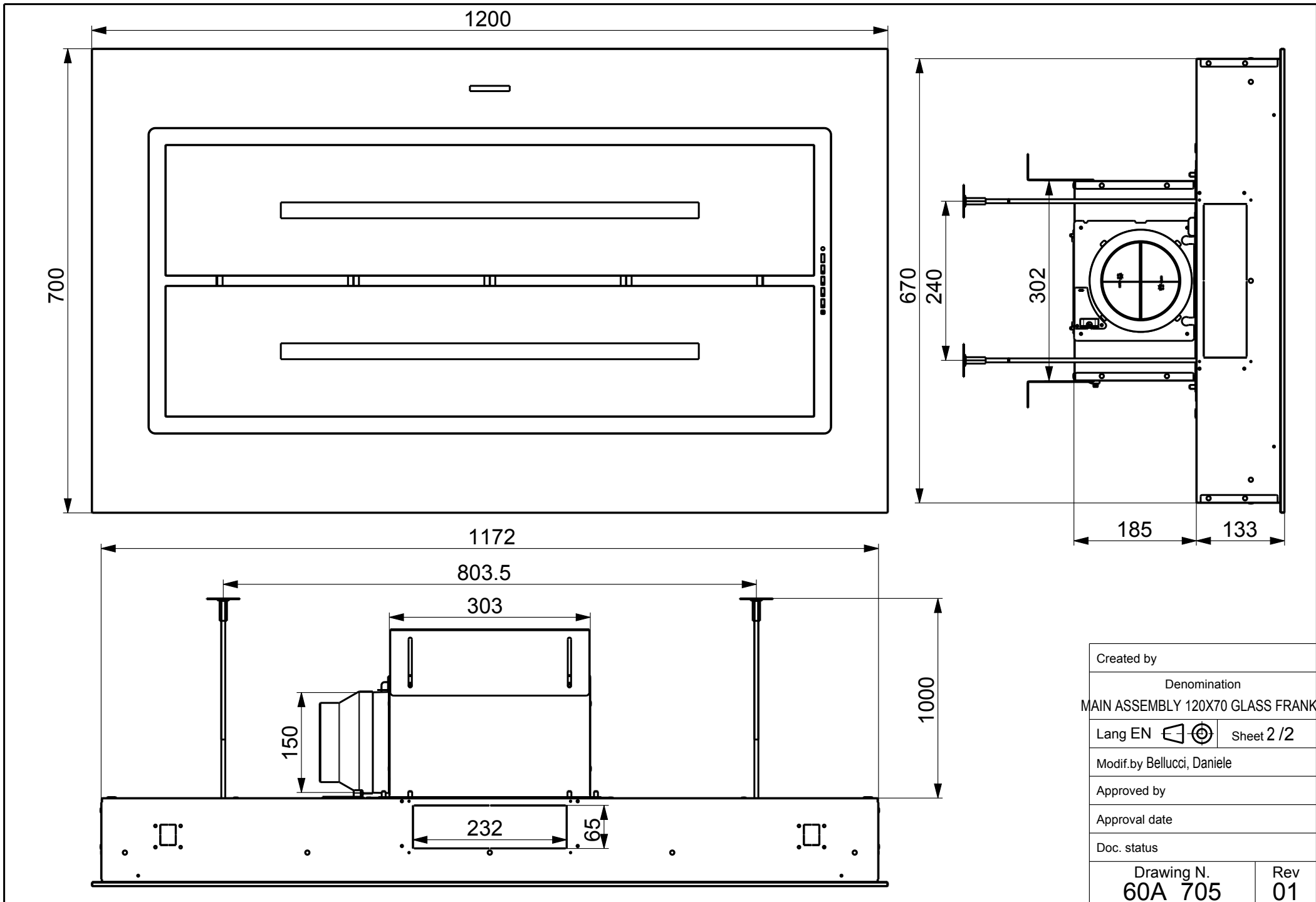


Created by	
Denomination	
MAIN ASSEMBLY 120X70 GLASS FRANKE	
Lang EN	Sheet 1 / 2
Modif. by Bellucci, Daniele	
Approved by	
Approval date	
Doc. status	
Drawing N.	Rev
60A 705	01



Created by	
Denomination	
MAIN ASSEMBLY 120X70 GLASS FRANKE	
Lang EN	Sheet 2 / 2
Modif.by Bellucci, Daniele	
Approved by	
Approval date	
Doc. status	
Drawing N.	Rev
60A 705	01