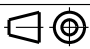
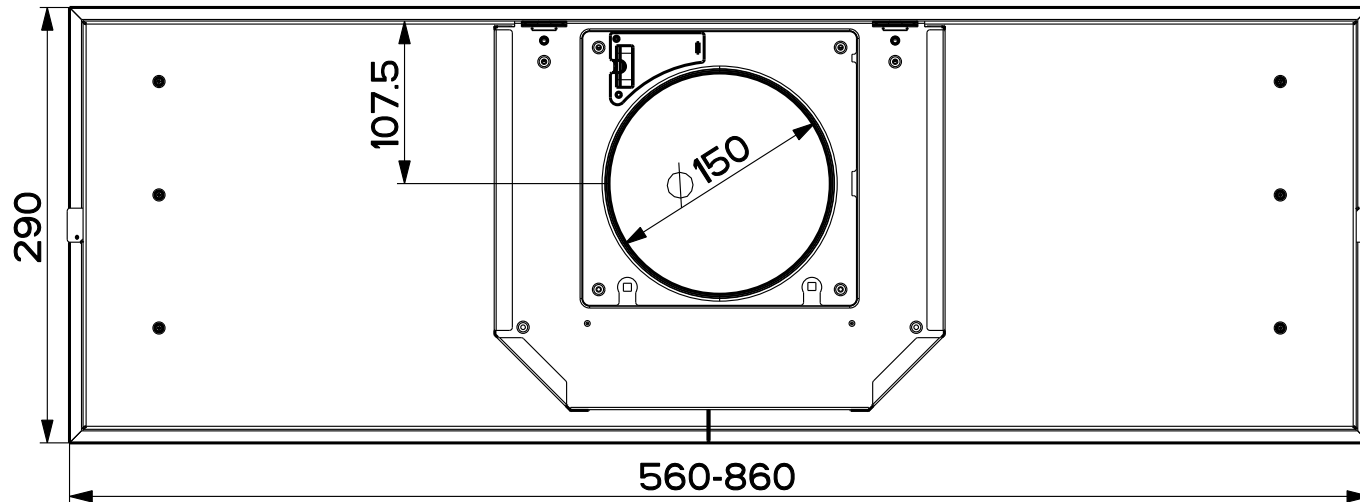
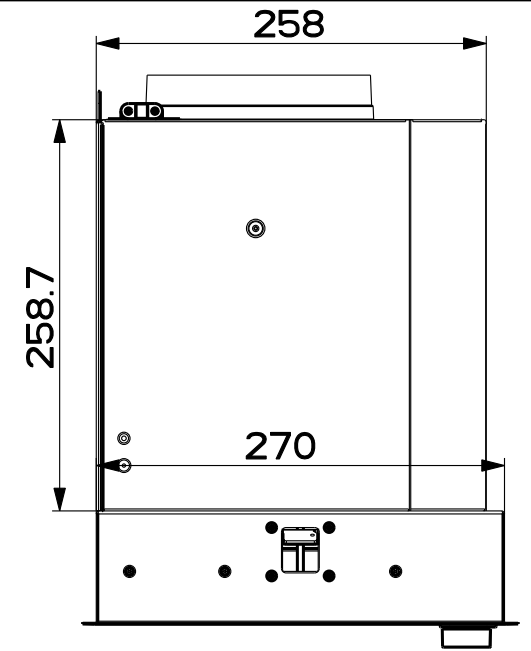
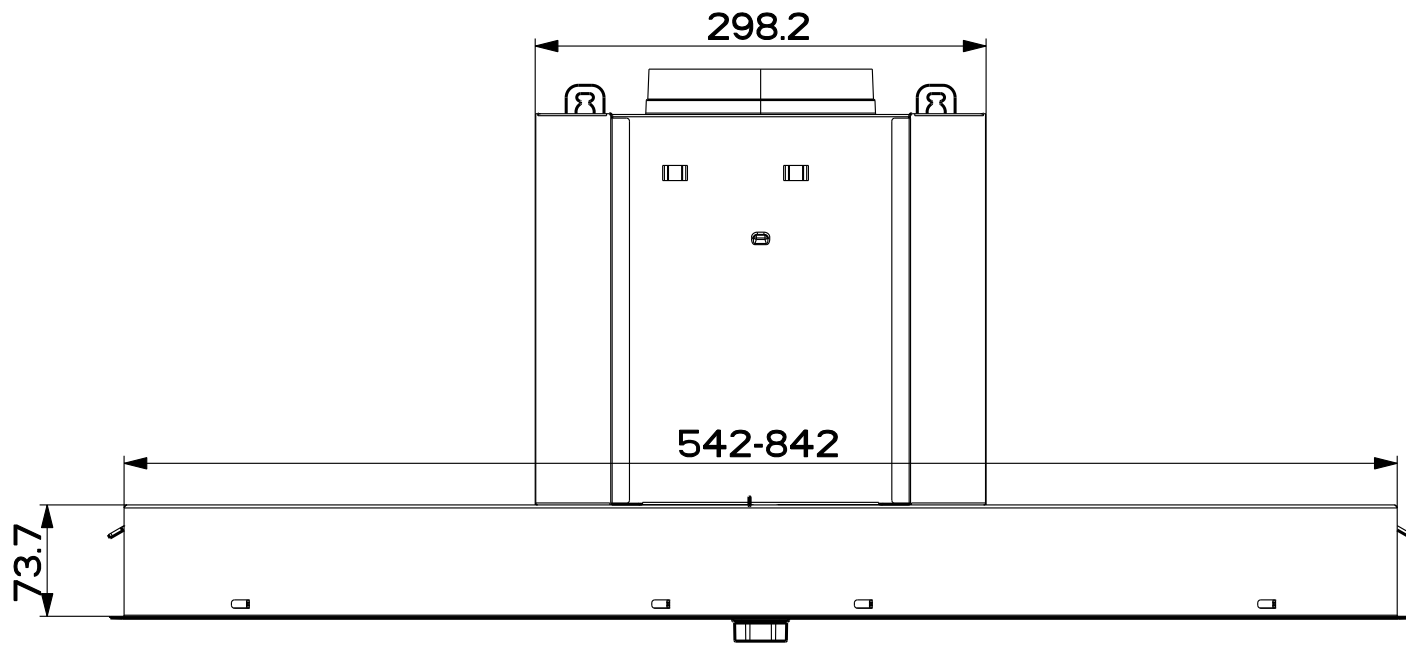


| | |
|--|------------------|
| Created by Agostinelli, Sergio | |
| Denomination EXSPODED DRAWING | |
| Lang EN  | Sheet 1/2 |
| Modif.by Agostinelli, Sergio | |
| Approved by Bellucci, Daniele | |
| Approval date 02-Sep-2016 | |
| Doc. status Released | |
| Drawing N. 29B_700 | Rev 01 |



Created by **Agostinelli, Sergio**

Denomination
EXSPODED DRAWING

Lang **EN**  Sheet **2/2**

Modif.by **Agostinelli, Sergio**

Approved by **Bellucci, Daniele**

Approval date **02-Sep-2016**

Doc. status **Released**

Drawing N.
29B_700

Rev
01