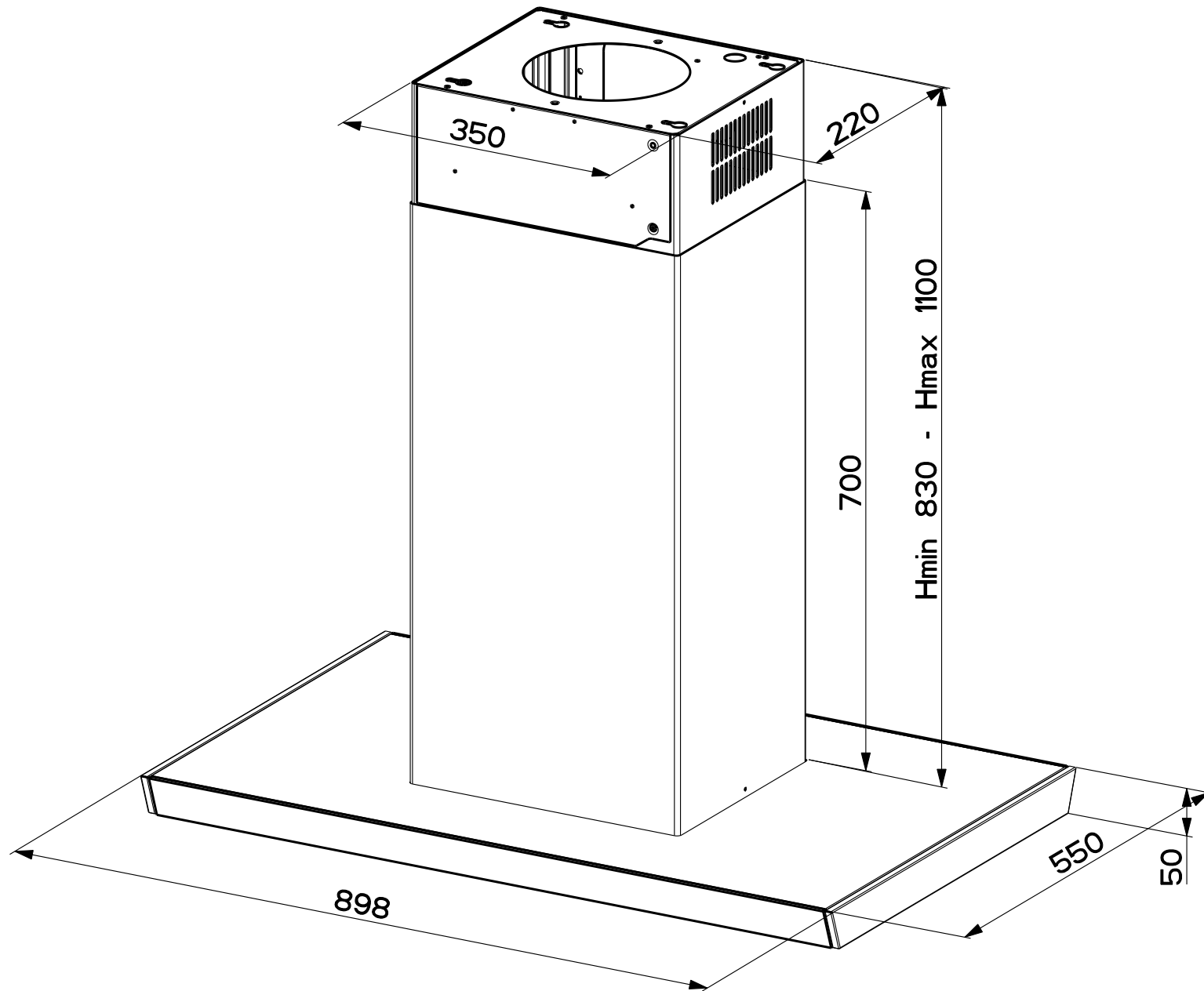


Created by Solutions	
Denomination DIMENSIONAL DRAWING FLAGSHIP IS	
Lang EN	Sheet 1/2
Modif.by Solutions	
Approved by Damiani, Cristiano	
Approval date 22-Mar-2016	
Doc. status Released	
Drawing N. 92A_710	Rev 03



Created by Solutions	
Denomination DIMENSIONAL DRAWING FLAGSHIP IS	
Lang EN	Sheet 2/2
Modif.by Solutions	
Approved by Damiani, Cristiano	
Approval date 22-Mar-2016	
Doc. status Released	
Drawing N. 92A_710	Rev 03