
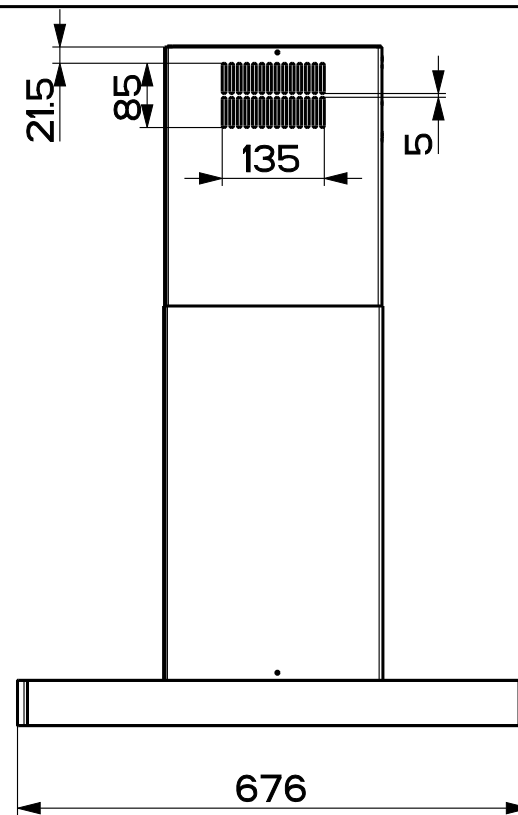
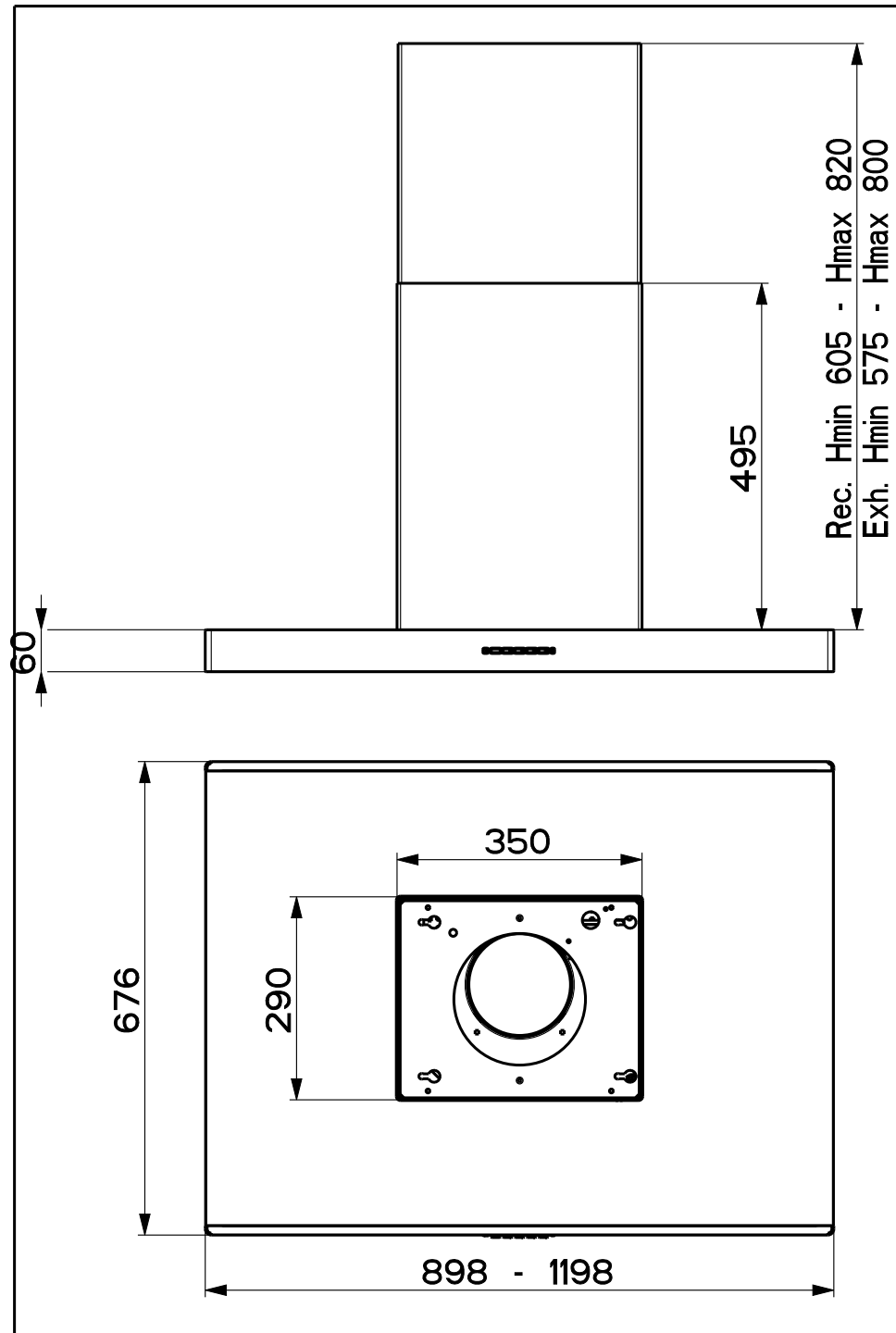


Created by Solutions	
Denomination DIMENSIONAL DRAWING A26 K36	
Lang EN	Sheet 1/2
Modif.by Solutions	
Approved by 	
Approval date 01-Aug-2024	
Doc. status Released	
Drawing N. A26_797	Rev 03



Created by Solutions	
Denomination DIMENSIONAL DRAWING A26 K36	
Lang EN	Sheet 2/2
Modif.by Solutions	
Approved by	
Approval date 01-Aug-2024	
Doc. status Released	
Drawing N. A26_797	Rev 03