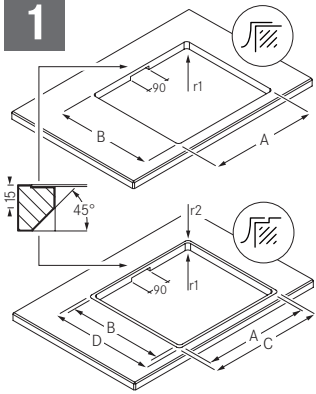


www.franke.com



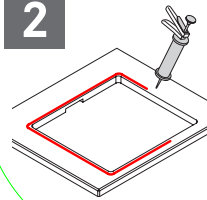
1



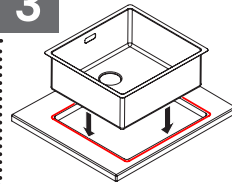
| Model      |  | A   | B   | C   | D   | r1 | r2 | Model         |  | A   | B   | C   | D   | r1 | r2 |
|------------|--|-----|-----|-----|-----|----|----|---------------|--|-----|-----|-----|-----|----|----|
| MRX 210 19 |  | 200 | 410 | 232 | 442 | 10 | 11 | MRX 220 34-19 |  | 565 | 410 | 593 | 438 | 10 | 11 |
| MRX 210 34 |  | 350 | 410 | 382 | 442 | 10 | 11 | MRX 220 34-34 |  | 715 | 410 | 743 | 438 | 10 | 11 |
| MRX 210 40 |  | 410 | 410 | 442 | 442 | 10 | 11 | MRX 220 40-40 |  | 835 | 410 | 863 | 438 | 10 | 11 |
| MRX 210 45 |  | 460 | 410 | 492 | 442 | 10 | 11 |               |  |     |     |     |     |    |    |
| MRX 210 50 |  | 510 | 410 | 542 | 442 | 10 | 11 |               |  |     |     |     |     |    |    |
| MRX 210 55 |  | 560 | 410 | 592 | 442 | 10 | 11 |               |  |     |     |     |     |    |    |
| MRX 210 70 |  | 710 | 410 | 742 | 442 | 10 | 11 |               |  |     |     |     |     |    |    |



2



3



4

