

**Instructions for use and installation**

Cooker Hood

**Istruzioni per l'uso e l'installazione**

Cappa

**Mode d'emploi et installation**

Hotte de Cuisine

**Bedienungsanleitung und Installation**

Dunstabzugshaube

**Kullanım ve montaj talimatları**

Davlumbaz

**FDf 9156 I XS**  
**FDf 9156 I XS H100**

## INDEX

EN

RECOMMENDATIONS AND SUGGESTIONS .....	3
CHARACTERISTICS .....	6
INSTALLATION .....	9
USE .....	13
MAINTENANCE .....	14

## INDICE

IT

CONSIGLI E SUGGERIMENTI.....	16
CARATTERISTICHE.....	19
INSTALLAZIONE .....	22
USO .....	26
MANUTENZIONE.....	27

## SOMMAIRE

FR

CONSEILS ET SUGGESTIONS.....	29
CARACTERISTIQUES.....	32
INSTALLATION.....	35
UTILISATION.....	39
ENTRETIEN.....	40

## INHALTSVERZEICHNIS

DE

EMPFEHLUNGEN UND HINWEISE .....	42
CHARAKTERISTIKEN .....	45
MONTAGE .....	48
BEDIENUNG .....	52
WARTUNG .....	53

## İÇERİKLER

TR

TAVSİYELER VE ÖNERİLER.....	55
ÖZELLİKLER.....	58
MONTAJ.....	61
KULLANIM .....	65
BAKIM .....	66

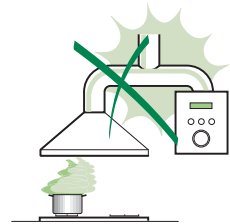
# RECOMMENDATIONS AND SUGGESTIONS

---

- △ The Instructions for Use apply to several versions of this appliance. Accordingly, you may find descriptions of individual features that do not apply to your specific appliance.

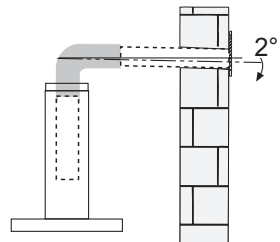
## INSTALLATION

- The manufacturer will not be held liable for any damages resulting from incorrect or improper installation.
- The minimum safety distance between the cooker top and the extractor hood is 650 mm (some models can be installed at a lower height, please refer to the paragraphs on working dimensions and installation).
- Check that the mains voltage corresponds to that indicated on the rating plate fixed to the inside of the hood.



- For Class I appliances, check that the domestic power supply guarantees adequate earthing. Connect the extractor to the exhaust flue through a pipe of minimum diameter 120 mm. The route of the flue must be as short as possible.
- Do not connect the extractor hood to exhaust ducts carrying combustion fumes (boilers, fireplaces, etc.).

- If the extractor is used in conjunction with non-electrical appliances (e.g. gas burning appliances), a sufficient degree of aeration must be guaranteed in the room in order to prevent the backflow of exhaust gas. The kitchen must have an opening communicating directly with the open air in order to guarantee the entry of clean air.

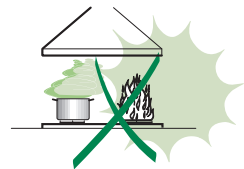


- When the cooker hood is used in conjunction with appliances supplied with energy other than electric, the negative pressure in the room must not exceed 0,04 mbar to prevent fumes being drawn back into the room by the cooker hood.
- In the event of damage to the power cable, it must be replaced by the manufacturer or by the technical service department, in order to prevent any risks.

- If the instructions for installation for the gas hob specify a greater distance specified above, this has to be taken into account. Regulations concerning the discharge of air have to be fulfilled.
- Use only screws and small parts in support of the hood.  
**Warning:** Failure to install the screws or fixing device in accordance with these instructions may result in electrical hazards.
- Connect the hood to the mains through a two-pole switch having a contact gap of at least 3 mm.

## USE

- The extractor hood has been designed exclusively for domestic use to eliminate kitchen smells.
- Never use the hood for purposes other than for which it has been designed.
- Never leave high naked flames under the hood when it is in operation.
- Adjust the flame intensity to direct it onto the bottom of the pan only, making sure that it does not engulf the sides.
- Deep fat fryers must be continuously monitored during use: overheated oil can burst into flames.
- Do not flambè under the range hood; risk of fire.
- This appliance can be used by children aged from 8 years and above and persons with reduced physical, sensory or mental capabilities or lack of experience and knowledge if they have been given supervision or instruction concerning use of the appliance in a safe way and understand the hazards involved. Children shall not play with the appliance. Cleaning and user maintenance shall not be made by children without supervision.




- **“CAUTION:** Accessible parts may become hot when used with cooking appliances.”

## MAINTENANCE

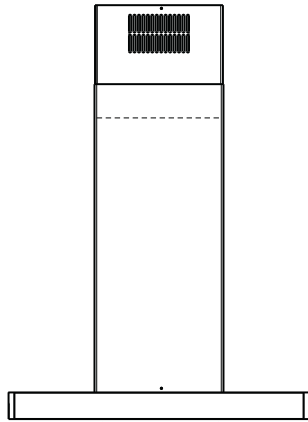
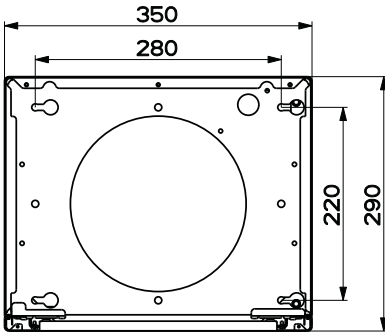
- Switch off or unplug the appliance from the mains supply before carrying out any maintenance work.
- Clean and/or replace the Filters after the specified time period (Fire hazard).
- The Grease filters must be cleaned every 2 months of operation, or more frequently for particularly heavy usage, and can be washed in a dishwasher.
- The Activated charcoal filter is not washable and cannot be regenerated, and must be replaced approximately every 4 months of operation, or more frequently for particularly heavy usage.
- "Failure to carry out cleaning as indicated will result in a fire hazard".
- Clean the hood using a damp cloth and a neutral liquid detergent.



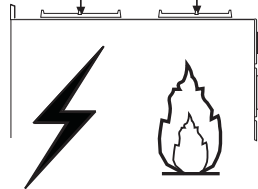
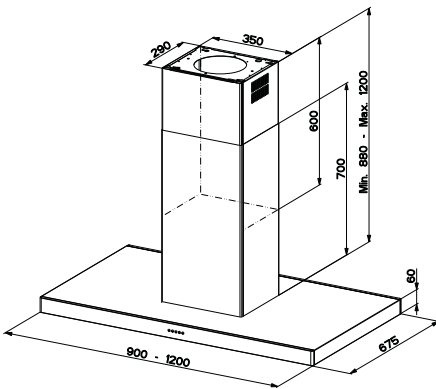
The symbol  on the product or on its packaging indicates that this product may not be treated as household waste. Instead it shall be handed over to the applicable collection point for the recycling of electrical and electronic equipment. By ensuring this product is disposed of correctly, you will help prevent potential negative consequences for the environment and human health, which could otherwise be caused by inappropriate waste handling of this product. For more detailed information about recycling of this product, please contact your local city office, your household waste disposal service or the shop where you purchased the product.

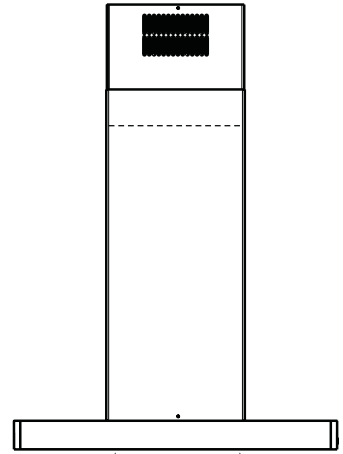
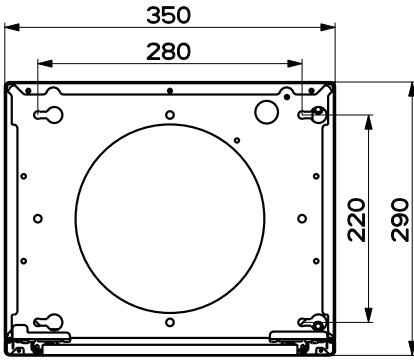
# CHARACTERISTICS

## Dimensions

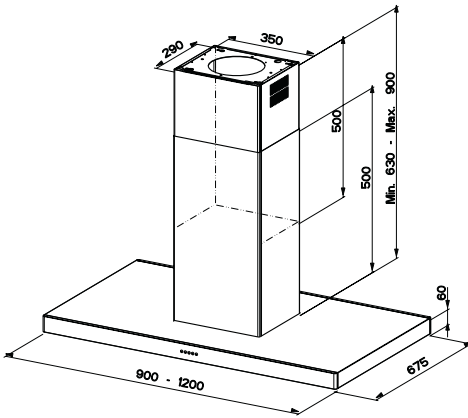
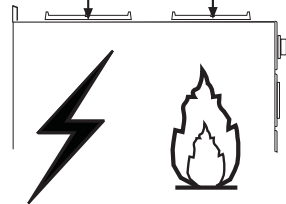


Min. 500mm    Min. 650mm





Min. 500mm    Min. 650mm

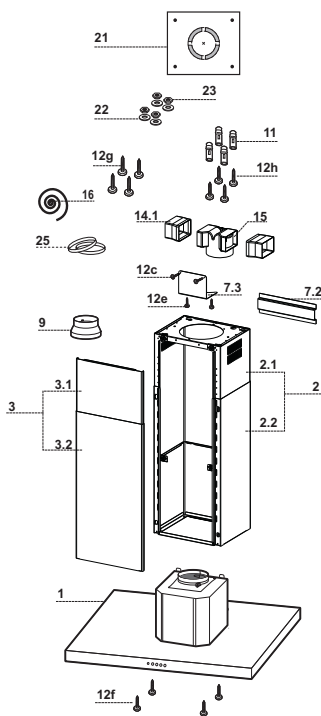


## Components

Ref.	Q.ty	Product Components
1	1	Hood Canopy complete with: Controls, Light, Filters
2	1	Telescopic chimney, made up of:
2.1	1	Upper chimney
2.2	1	Lower chimney
3	1	Telescopic panel, made up of:
3.1	1	Upper panel
3.2	1	Lower panel
9	1	Reduction flange $\varnothing$ 150-120 mm
14.1	1	Air Outlet Connector Extension
15	1	Air Outlet Connector
16	1	Novastick tape
25		Hose clamps (not supplied)

Ref.	Q.ty	Installation Components
7.3	1	Air outlet connector fixing bracket
7.2	1	Telescopic chimney fixing bracket
11	4	Wall plugs $\varnothing$ 10
12c	2	Screws 2.9 x 6.5
12e	2	Screws 2.9 x 9.5
12f	4	Screws M4 x 80
12g	4	Screws M6 x 80
12h	4	Screws 5.2 x 70
21	1	Drilling template
22	4	Washers $\varnothing$ 6.4
23	4	Nuts M6

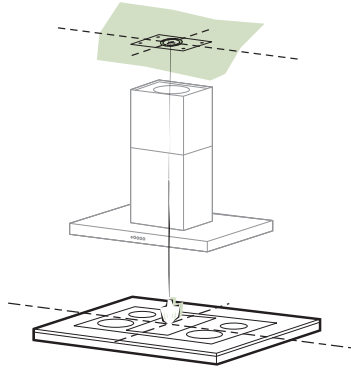
Q.ty	Documentation
1	Instruction Manual





# INSTALLATION

---



---

## Drilling the Ceiling/shelf and fixing the frame

---

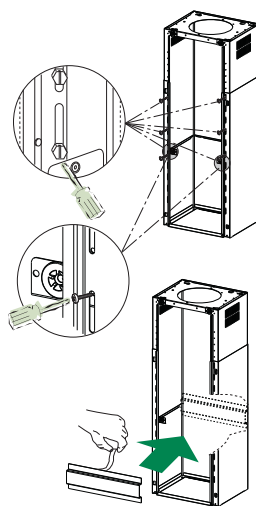
### DRILLING THE CEILING/SHELF

- Use a plumb line to mark the centre of the hob on the ceiling/support shelf.
- Place the drilling template **21** provided on the ceiling/support shelf, making sure that the template is in the correct position by lining up the axes of the template with those of the hob.
- Mark the centres of the holes in the template.
- Drill the holes at the points marked:
  - For concrete ceilings, drill for plugs appropriate to the screw size.
  - For hollow brick ceilings with wall thickness of 20 mm: drill  $\varnothing$  10 mm(immediately insert the Dowels **11** supplied).
  - For wooden beam ceilings, drill according to the wood screws used.
  - For wooden shelf, drill  $\varnothing$  7 mm.
  - For the power supply cable feed, drill  $\varnothing$  10 mm.
  - For the air outlet (Ducted Version), drill according to the diameter of the external air exhaust duct connection.
- Insert two screws of the following type, crossing them and leaving 4-5 mm from the ceiling:
  - For concrete ceilings, use the appropriate plugs for the screw size (not provided).
  - for Cavity ceiling with inner space, with wall thickness of approx. 20 mm, Screws **12h**, supplied.
  - For wooden beam ceilings, use 4 wood screws (not provided).
  - For wooden shelf, use 4 screws **12g** with washers **22** and nuts **23**, provided.

## Fixing the Frame/Chimney

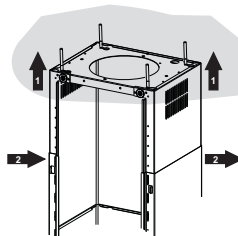
Should it be necessary to adjust the height of the frame, proceed as follows:

- Unfasten the metric screws joining the two opposite parts that can be seen from the front;
- Adjust the height of the frame as required, then replace the screws removed as above, making sure that you insert 2 of them close to the panel lock;
- Lift the frame, insert the slots onto the screws and slide them until they lock;
- Tighten the two screws and insert the other two screws provided.
- Take the telescopic chimney locking bracket **7.2**, remove the film from the double sided adhesive and fix it inside the frame so as to hold it more firmly.



Before final locking of the screws it is possible to make small adjustments to the frame, making sure that the screws do not come out of the adjustment slot.

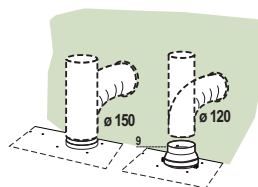
- The Frame must be securely fastened both due to the weight of the Hood and the stress caused by occasional sideways pressure on the Appliance when in position. When fastened, check that the base is stable even when the Frame is subjected to bending.
- In all cases where the Ceiling is not sufficiently strong at the point of suspension, the Installation technician must strengthen it with suitable plates and counterplates, anchored to structurally sound elements.



## Ducted version air exhaust system Connection

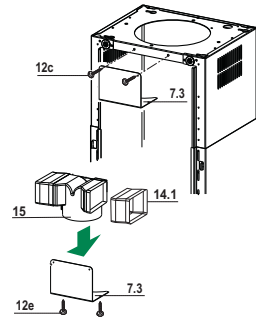
When installing the ducted version, connect the hood to the chimney using either a flexible or rigid pipe  $\varnothing$  150 or 120 mm, the choice of which is left to the installer.

- To install a  $\varnothing$  120 mm air exhaust connection, insert the reducer flange **9** on the hood body outlet.
- Fix the pipe using the pipe clamps **25** (not provided).
- Remove any activated charcoal filters.



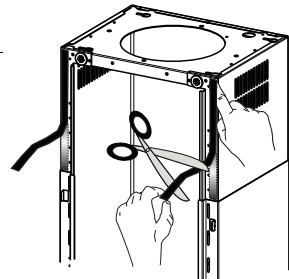
### Air outlet – Recirculation Version

- Insert the Connector extensions **14.1** into the side of the Connector **15**.
- Insert the Connector **15** into the Support bracket **7.3** and fix it with the screws.
- Fasten the Support bracket **7.3**, fixing it to the upper part with the Screws.
- Make sure that the Connector extensions outlet **14.1** is in correspondence with the Chimney openings both horizontally and vertically.
- Join the Connector **15** to the Hood canopy outlet using a rigid or flexible pipe  $\varnothing_{150}$  mm, selection of which is at the discretion of the installation technician.
- Make sure that the Activated charcoal odour filter has been fitted.



### Application of Novastick Tape

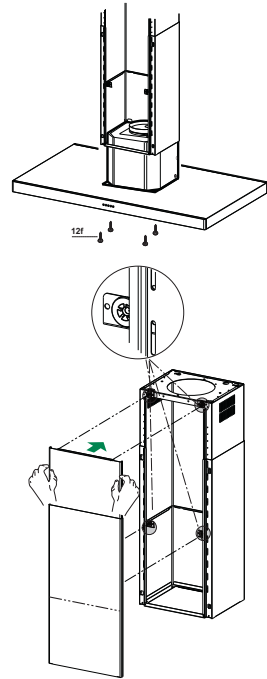
- Apply the Novastick tape **16** to the front edge of the Upper Chimney from the top part down to the start of the Lower Chimney.



## Fitting the Panel and Fixing the Hood Canopy

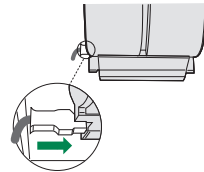
Before fixing the Hood Canopy to the Frame:

- Remove the Grease filters from the Hood Canopy;
- Remove any Activated charcoal filters.
- Working from below, fix the Hood canopy to the Frame provided, using the 4 screws **12f** (M6 x 10) provided.
- Then hook the upper part of the Panel **3**, adjusted to size, to the rubber supports in the upper part and in the lower part of the Frame.
- Slide the lower part of the Panel **3** until its metal tabs slot into the slots in the frame;

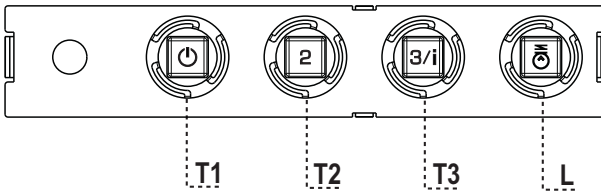


## ELECTRICAL CONNECTION

- Connect the hood to the mains through a two-pole switch having a contact gap of at least 3 mm.
- Remove the grease filters (see paragraph Maintenance) being sure that the connector of the feeding cable is correctly inserted in the socket placed on the side of the fan.



# USE



## Control panel

BUTTON	LED	FUNCTIONS
<b>T1</b> Speed	On	Turns the Motor on at Speed one. Turns the Motor off.
<b>T2</b> Speed	On	Turns the Motor on at Speed two.
<b>T3</b> Speed	Fixed	When pressed briefly, turns the Motor on at Speed three.
	Flashing	Pressed for 2 Seconds. Activates Speed four with a timer set to 6 minutes, after which it returns to the speed that was set previously. Suitable to deal with maximum levels of cooking fumes.
<b>L</b> Light		Turns the Lighting System on and off.

**Warning:** Button **T1** turns the motor off, after first passing to speed one.

# MAINTENANCE

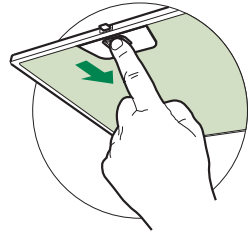
---

## Grease filters

---

### CLEANING METAL SELF- SUPPORTING GREASE FILTERS

- The filters must be cleaned every 2 months of operation, or more frequently for particularly heavy usage, and can be washed in a dishwasher.
- Remove the filters one at a time by pushing them towards the back of the group and pulling down at the same time.
- Wash the filters, taking care not to bend them. Allow them to dry before refitting.
- When refitting the filters, make sure that the handle is visible on the outside.

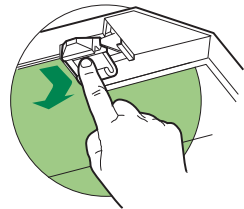


### Activated charcoal filter (Recirculation version)

---

#### REPLACING THE ACTIVATED CHARCOAL FILTER

- The filter is not washable and cannot be regenerated, and must be replaced approximately every 4 months of operation, or more frequently for particularly heavy usage.
- Remove the metal grease filters.
- Remove the saturated activated carbon filter by releasing the fixing hooks.
- Fit the new filter by hooking it into its seating.
- Refit the metal grease filters.









## Lighting

### LIGHT REPLACEMENT

#### 20 W halogen light.

- Remove the 2 screws fixing the Lighting support, and pull it out of from the Hood.
- Extract the lamp from the Support.
- Replace with another of the same type, making sure that the two pins are properly inserted in the lamp holder socket holes.
- Refit the Support, fixing it in place with the two screws removed as above.



Lamp	Power (W)	Socket	Voltage (V)	Dimension (mm)	ILCOS Code
	28	E14	220 – 240	104 x 35	HSGSB/C/UB-28-220/240-E14
	20	G4	12	33 x 9	HSG/C/UB-20-12-G4
	35	GU10	230	51 x 50,7	HAGS-35-230-GU10-51/40
	50	GU10	230	51 x 50,7	HAGS-35-230-GU10-51/20
	20	GU4	12	40 x 35	HRGS-20-12-GU4-35/30
	20	GU5.3	12	46 x 51	HRGS-20-12-GU5.3-50/10
	16	G13	95	720 x 26	FD--16/40/1B-E--G13--26/720
	18	G13	57	589,8 x 26	FD--18/40/1B--E--G13--26/600
	9	G23	60 (lamp) 220-240 (starter)	167 x 28	FSD-9/27/1B-I-G23
	11	G23	91 (lamp) 220-240 (starter)	235,8 x 28	FSD-11/40/1B-I-G23

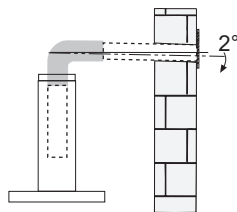
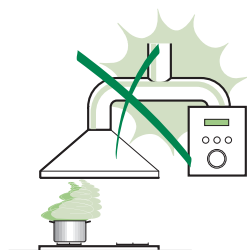
## CONSIGLI E SUGGERIMENTI

---

- △ Le Istruzioni per l'uso si riferiscono ai diversi modelli di questo apparecchio. Pertanto, si potrebbero trovare descrizioni di singole caratteristiche che non appartengono al proprio apparecchio specifico.

### INSTALLAZIONE

- Il fabbricante non potrà ritenersi responsabile per eventuali danni risultanti da un'installazione o utilizzazione impropria.
- La distanza minima di sicurezza tra il piano cottura e la cappa aspirante è di 650 mm (alcuni modelli possono essere installati a un'altezza inferiore; vedere il paragrafo relativo alle dimensioni di lavoro e all'installazione).
- Controllare che la tensione di rete corrisponda a quella indicata sulla targa dati applicata all'interno della cappa.
- Per gli apparecchi di Classe I, controllare che la rete di alimentazione domestica disponga di un adeguato collegamento a massa. Collegare l'aspiratore al condotto dei fumi mediante un tubo con diametro minimo di 120 mm. Il percorso dei fumi deve essere il più corto possibile.
- Non collegare la cappa aspirante ai condotti fumari che trasportano fumi di combustione (per es. caldaie, camini ecc.).
- Se l'aspiratore è utilizzato in combinazione con apparecchi non elettrici (per es. apparecchi a gas), deve essere garantito un sufficiente grado di aerazione nel locale per impedire il ritorno di flusso dei gas di scarico. La cucina deve avere un'apertura comunicante direttamente con l'esterno per garantire l'afflusso di aria pulita. Quando la cappa per cucina è utilizzata in combinazione con apparecchi non alimentati dalla corrente elettrica, la pressione negativa nel locale non deve superare 0,04 mbar per evitare che i fumi vengano riaspirati nel locale dalla cappa.
- In caso di danneggiamento del cavo di alimentazione, occorre farlo sostituire dal produttore o dal reparto di assistenza tecnica per evitare qualsiasi rischio.





- Se le istruzioni di installazione del piano cottura a gas specificano una distanza maggiore di quella sopra indicata, è necessario tenerne conto. Devono essere rispettate tutte le normative riguardanti lo scarico dell'aria.
  - Usare solo viti e minuteria di tipo idoneo per la cappa.
- Avvertenza:** la mancata installazione delle viti o dei dispositivi di fissaggio in conformità alle presenti istruzioni può comportare rischi di scosse elettriche.
- Collegare la cappa all'alimentazione di rete mediante un interruttore bipolare con distanza tra i contatti di almeno 3 mm.

## USO

- La cappa aspirante è progettata esclusivamente per l'uso domestico allo scopo di eliminare gli odori dalla cucina.
- Non usare mai la cappa per scopi diversi da quelli per cui è stata progettata.
- Non lasciare mai fiamme alte sotto la cappa quando è in funzione.
- Regolare l'intensità della fiamma in modo da dirigerla esclusivamente verso il fondo del recipiente di cottura, assicurandosi che non ne avvolga i lati.
- Le friggitorie devono essere costantemente controllate durante l'uso: l'olio surriscaldato potrebbe incendiarsi.
- Non cuocere al flambé sotto la cappa: si potrebbe sviluppare un incendio.
- Questo apparecchio può essere utilizzato da bambini di età non inferiore a 8 anni e da persone con ridotte capacità psico-fisico-sensoriali o con esperienza e conoscenze insufficienti, purché attentamente sorvegliati e istruiti su come utilizzare in modo sicuro l'apparecchio e sui pericoli che ciò comporta. Assicurarsi che i bambini non giochino con l'apparecchio. Pulizia e manutenzione da parte dell'utente non devono essere effettuate da bambini, a meno che non siano sorvegliati.




- “ **ATTENZIONE:** le parti accessibili possono diventare molto calde durante l’uso degli apparecchi di cottura ”.

## MANUTENZIONE

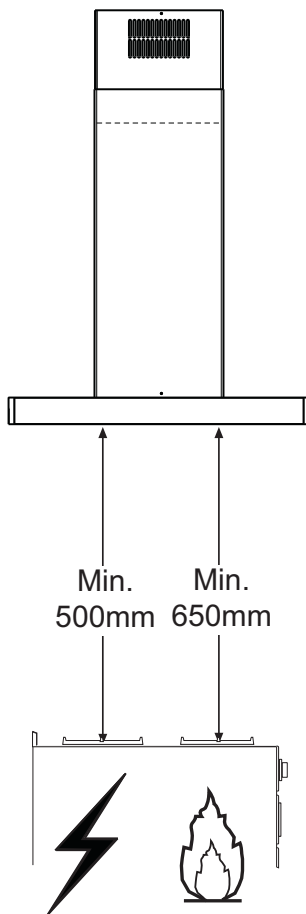
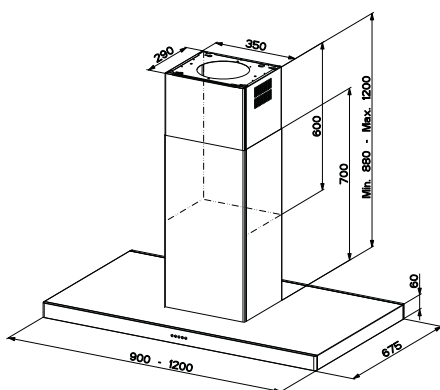
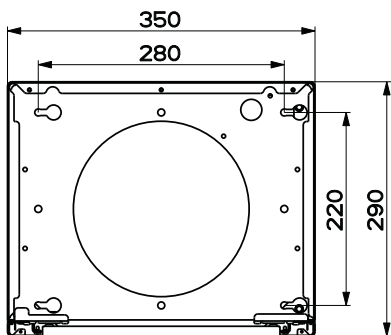
- Spegnerne o scollegare l’apparecchio dalla rete di alimentazione prima di qualunque operazione di pulizia o manutenzione.
- Pulire e/o sostituire i filtri dopo il periodo di tempo specificato (pericolo di incendio).
- I filtri antigrasso devono essere puliti ogni 2 mesi di funzionamento o più frequentemente in caso di utilizzo molto intenso e possono essere lavati in lavastoviglie.
- Il filtro al carbone attivo non è lavabile né è rigenerabile e deve essere sostituito ogni 4 mesi di funzionamento circa o più frequentemente in caso di utilizzo molto intenso.
- "Vi è il rischio di incendio se la pulizia non viene effettuata secondo le istruzioni".
- Pulire la cappa utilizzando un panno umido e un detergente liquido neutro.

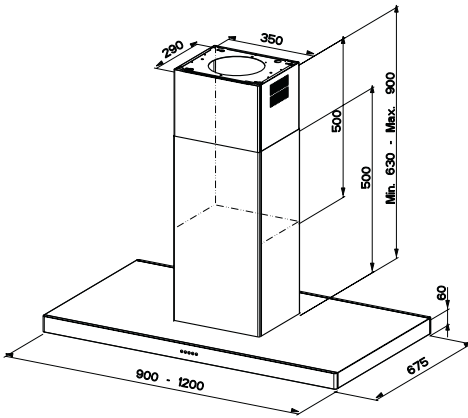
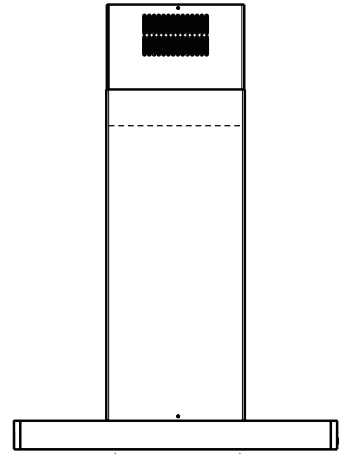
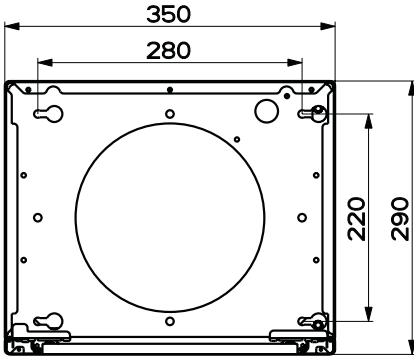


Il simbolo  sul prodotto o sulla sua confezione indica che il prodotto non può essere smaltito come un normale rifiuto domestico. Il prodotto da smaltire deve essere conferito presso un apposito centro di raccolta per il riciclaggio dei componenti elettrici ed elettronici. Assicurandosi che questo prodotto sia smaltito correttamente, si contribuirà a prevenire potenziali conseguenze negative per l’ambiente e per la salute che potrebbero altrimenti derivare dal suo smaltimento inadeguato. Per informazioni più dettagliate sul riciclaggio di questo prodotto, contattare il Comune, il servizio locale di smaltimento rifiuti oppure il negozio dove è stato acquistato il prodotto.

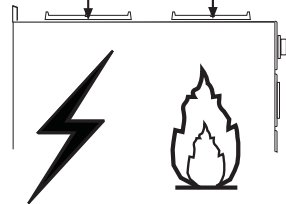
# CARATTERISTICHE

## Ingombro





Min. 500mm    Min. 650mm

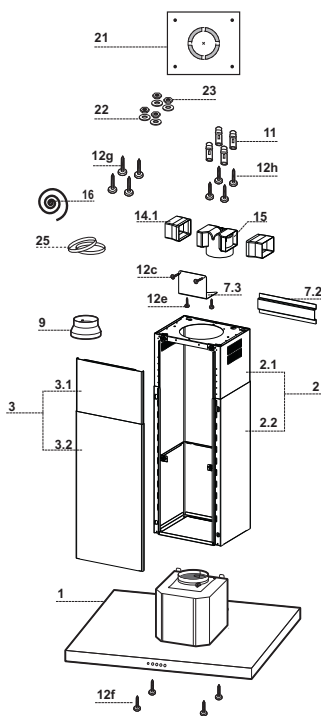


## Componenti

Rif.	Q.tà	Componenti di Prodotto
1	1	Corpo Cappa completo di: Comandi, Luce, Filtri
2	1	Camino telescopico formato da:
2.1	1	Camino superiore
2.2	1	Camino inferiore
3	1	Pannello telescopico formato da:
3.1	1	Pannello superiore
3.2	1	Pannello inferiore
9	1	Flangia di riduzione $\varnothing$ 150-120 mm
14.1	1	Prolunga Raccordo Uscita Aria
15	1	Raccordo Uscita Aria
16	1	Nastro Novastick
25		Fascette stringitubo (non incluse)

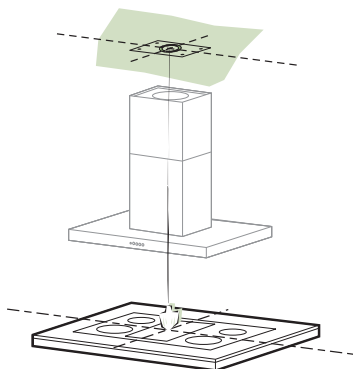
Rif.	Q.tà	Componenti di Installazione
7.3	1	Staffa fissaggio raccordo uscita aria
7.2	1	Staffa bloccaggio camino telescopico
11	4	Tasselli $\varnothing$ 10
12c	2	Viti 2,9 x 6,5
12e	2	Viti 2,9 x 9,5
12f	4	Viti M4 x 80
12g	4	Viti M6 x 80
12h	4	Viti 5,2 x 70
21	1	Dima di foratura
22	4	Rondelle $\varnothing$ 6,4
23	4	Dadi M6

Q.tà	Documentazione
1	Libretto Istruzioni



# INSTALLAZIONE

---



---

## Foratura Soffitto/Mensola e Fissaggio Traliccio

---

### FORATURA SOFFITTO/MENSOLA

- Con l'ausilio di un Filo a piombo riportare sul Soffitto/Mensola di supporto il centro del Piano di Cottura.
- Appoggiare al Soffitto/Mensola la Dima di Foratura **21** in dotazione, facendo coincidere il suo centro al centro proiettato e allineando gli assi della Dima agli assi del Piano di Cottura.
- Segnare i centri dei Fori della Dima.
- Forare i punti seguenti:
  - Soffitto in Calcestruzzo massiccio: secondo Tasselli per Calcestruzzo impiegati.
  - Soffitto in Laterizio a camera d'aria, con spessore resistente di 20 mm:  $\varnothing$  10 mm (inserire subito i Tasselli **11** in dotazione).
  - Soffitto in Travatura di Legno: secondo Viti per Legno impiegate.
  - Mensola in Legno:  $\varnothing$  7 mm.
  - Passaggio del Cavo elettrico di Alimentazione:  $\varnothing$  10 mm.
  - Uscita Aria (Versione Aspirante): secondo diametro del collegamento alla Tubazione di Evacuazione Esterna.
- Avvitare, incrociandole e lasciando 4-5 mm dal soffitto, due viti:
  - per Calcestruzzo massiccio, Tasselli per Calcestruzzo, non in dotazione.
  - per Laterizio a camera d'aria, con spessore resistente di 20 mm circa, Viti **12h**, in dotazione.
  - per Travatura di legno, Viti per legno, non in dotazione.
  - per Mensola in Legno, viti **12g** con Rondelle **22** e Dadi **23**, in dotazione.

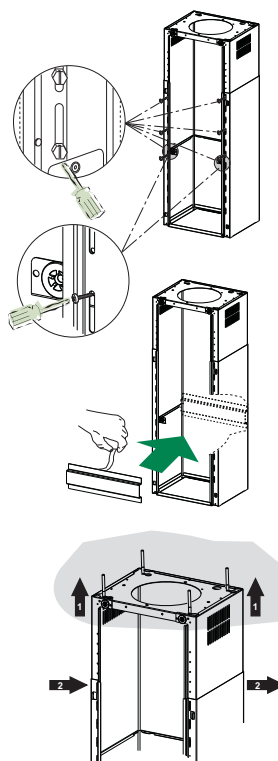
## Fissaggio Traliccio/Camino

Nel caso in cui si voglia regolare l'altezza del traliccio procedere come segue:

- Svitare le viti metriche che uniscono le due parti di fronte visibili frontalmente;
- Regolare l'altezza desiderata del traliccio e riavvitare le viti precedentemente tolte, avendo l'accortezza di metterne 2 in prossimità del blocco pannello;
- Sollevare il traliccio, incastrare le asole sulle viti e scorrere fino a battuta;
- Stringere le due viti e avvitare le altre due in dotazione;
- Prendere la staffa bloccaggio camino telescopico **7.2**, togliere la pellicola del biadesivo e attaccarla internamente al traliccio in modo da tenerlo più fisso.

Prima di serrare definitivamente le viti è possibile effettuare delle regolazioni spostando il traliccio facendo attenzione che le viti non escano dalla sede dell'asola di regolazione.

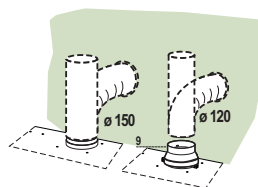
- Il fissaggio del Traliccio deve essere sicuro in relazione sia al peso della Cappa sia alle sollecitazioni causate da occasionali spinte laterali all'Apparecchio montato. A fissaggio avvenuto verificare quindi che la base sia stabile anche se il Traliccio è sollecitato a flessione.
- In tutti i casi in cui il Soffitto non fosse sufficientemente robusto sul punto di sospensione, l'Installatore dovrà provvedere a irrobustirlo con opportune piastre e contropiastre ancorate a parti strutturalmente resistenti.



## Connessione Uscita aria Versione Aspirante

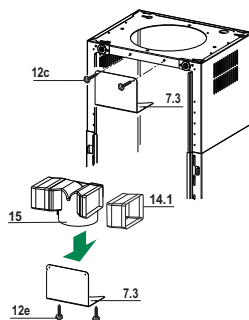
Per installazione in Versione Aspirante collegare la Cappa alla tubazione di uscita per mezzo di un tubo rigido o flessibile di  $\varnothing$  150 o 120 mm, la cui scelta è lasciata all'installatore.

- Per collegamento con tubo  $\varnothing$  120 mm, inserire la Flangia di riduzione **9** sull'Uscita del Corpo Cappa.
- Fissare il tubo con adeguate fascette stringitubo **25** (non incluse).
- Rimuovere eventuali filtri al carbone attivo.



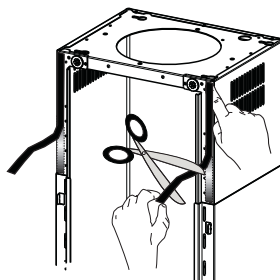
## Uscita aria Versione Filtrante

- Inserire lateralmente le Prolunghe Raccordo **14.1** sul Raccordo **15**.
- Inserire il Raccordo **15** nella Staffa di Sostegno **7.3** fissandolo con le Viti.
- Fissare la Staffa di Sostegno **7.3** fissandola con le Viti alla parte superiore.
- Assicurarsi che l'uscita delle Prolunghe Raccordo **14.1** risulti in corrispondenza delle bocchette del Camino sia in orizzontale che in verticale.
- Collegare il Raccordo **15** all'Uscita del Corpo Cappa per mezzo di un tubo rigido o flessibile di  $\varnothing 150$  mm, la cui scelta è lasciata all'installatore.
- Assicurarsi della presenza del Filtro Antiodore al Carbone attivo.



## Applicazione Nastro Novastick

- Applicare il nastro Novastick **16** sul bordo frontale del Camino Superiore dalla parte superiore fino all'inizio del Camino Inferiore.

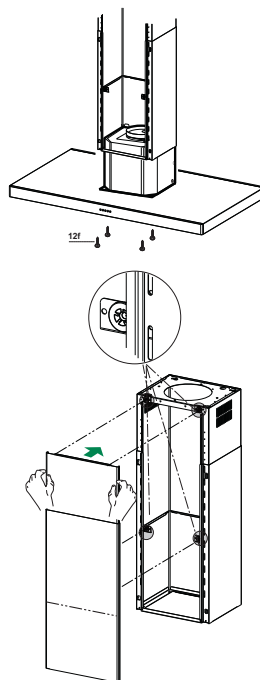




## Montaggio Pannello e Fissaggio Corpo Cappa

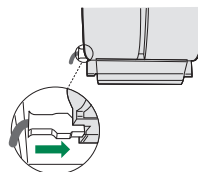
Prima di fissare il Corpo Cappa al Traliccio:

- Togliere i Filtri antigrasso dal Corpo Cappa;
- Togliere eventuali Filtri Antiodore al Carbone attivo.
- Fissare quindi dal sotto, con 4Viti **12f** (M6 x 10) in dotazione, il Corpo Cappa al Traliccio predisposto.
- Successivamente agganciare la parte superiore del Pannello **3**,regolato a misura, sui supporti di gomma presenti nella parte superiore del Traliccio e anche in quella inferiore;
- Scorrere la parte inferiore del Pannello **3** finchè le sue linguette metalliche non si incastrano sulle asole del traliccio;

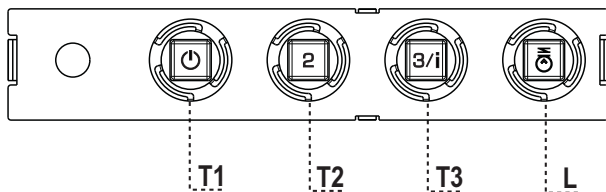


### CONNESSIONE ELETTRICA

- Collegare la Cappa all'Alimentazione di Rete interponendo un Interruttore bipolare con apertura dei contatti di almeno 3 mm.
- Rimuovere i Filtri antigrasso (vedi par. "Manutenzione") e assicurarsi che il connettore del Cavo di alimentazione sia correttamente inserito nella presa dell'Aspiratore



# USO



## Quadro comandi

TASTO	LED	FUNZIONI
<b>T1</b>	Velocità Acceso	Accende il Motore alla Prima velocità. Spegne il Motore.
<b>T2</b>	Velocità Acceso	Accende il Motore alla Seconda velocità.
<b>T3</b>	Velocità Fisso Lampeggiante	Premuto brevemente Accende il Motore alla Terza velocità. Premuto per 2 Secondi . Attiva la Quarta velocità temporizzata a 6 minuti, al termine dei quali ritorna alla velocità precedentemente impostata. Adatta a fronteggiare le massime emissioni di fumi di cottura.
<b>L</b>	Luce	Accende e spegne l'Impianto di Illuminazione.

**Attenzione:** Il tasto **T1** spegne il motore passando sempre per la prima velocità.

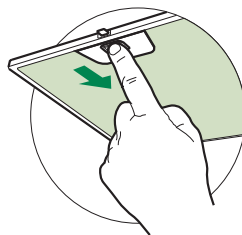
# MANUTENZIONE

---

## Filtri antigrasso

### PULIZIA FILTRI ANTIGRASSO METALLICI AUTOPORTANTI

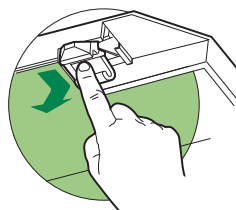
- Sono lavabili anche in lavastoviglie, e necessitano di essere lavati ogni 2 mesi circa di utilizzo o più frequentemente, per un uso particolarmente intenso.
- Togliere i Filtri uno alla volta, spingendoli verso la parte posteriore del gruppo e tirando contemporaneamente verso il basso.
- Lavare i Filtri evitando di piegarli, e lasciarli asciugare prima di rimontarli.
- Rimontarli facendo attenzione a mantenere la maniglia verso la parte visibile esterna.



## Filtro antiodore (Versione Filtrante)

### SOSTITUZIONE FILTRO ANTIODORE AL CARBONE ATTIVO

- Non è lavabile e non è rigenerabile, va sostituito almeno ogni 4 mesi o più frequentemente, per un uso particolarmente intenso.
- Togliere i Filtri antigrasso metallici.
- Rimuovere il Filtro antiodore al Carbone attivo saturo, agendo sugli appositi agganci.
- Montare il nuovo Filtro agganciandolo nella sua sede.
- Rimontare i Filtri antigrasso metallici.







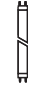

## Illuminazione

### SOSTITUZIONE LAMPADE

#### Lampade alogene da 20 W.

- Togliere le due viti che fissano il Supporto illuminazione e sfilarlo dalla Cappa.
- Estrarre la Lampada dal Supporto.
- Sostituirla con una nuova di uguali caratteristiche, facendo attenzione di inserire correttamente i due spinotti nella sede del Supporto.
- Rimontare il Supporto fissandola con le due Viti precedentemente tolte.



Lampada	Assorbimento (W)	Attacco	Voltaggio (V)	Dimensione (mm)	Codice ILCOS
	28	E14	220 – 240	104 x 35	HSGSB/C/UB-28-220/240-E14
	20	G4	12	33 x 9	HSG/C/UB-20-12-G4
	35	GU10	230	51 x 50,7	HAGS-35-230-GU10-51/40
	50	GU10	230	51 x 50,7	HAGS-35-230-GU10-51/20
	20	GU4	12	40 x 35	HRGS-20-12-GU4-35/30
	20	GU5.3	12	46 x 51	HRGS-20-12-GU5.3-50/10
	16	G13	95	720 x 26	FD--16/40/1B-E--G13--26/720
	18	G13	57	589,8 x 26	FD--18/40/1B--E--G13--26/600
	9	G23	60 (lampada) 220-240 (starter)	167 x 28	FSD-9/27/1B-I-G23
	11	G23	91 (lampada) 220-240 (starter)	235,8 x 28	FSD-11/40/1B-I-G23

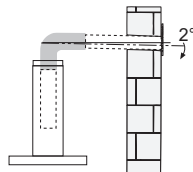
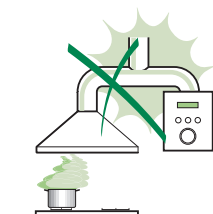
## CONSEILS ET SUGGESTIONS

---

- △ Les instructions pour l'utilisation se réfèrent aux différents modèles de cet appareil. Par conséquent, certaines descriptions de caractéristiques particulières pourraient ne pas appartenir spécifiquement à cet appareil.

### INSTALLATION

- En aucun cas le fabricant ne peut être tenu pour responsable d'éventuels dommages dus à une installation ou à une utilisation impropre.
- La distance de sécurité minimum entre le plan de cuisson et la hotte aspirante est de 650 mm (certains modèles peuvent être installés à une hauteur inférieure ; voir le paragraphe concernant les dimensions de travail et l'installation).
- Assurez-vous que la tension de votre secteur correspond à celle indiquée sur la plaque des données appliquée à l'intérieur de la hotte.
- Pour les appareils de Classe I, s'assurer que l'installation électrique de votre intérieur dispose d'une mise à la terre adéquate.  
Relier l'aspirateur au conduit de cheminée avec un tube d'un diamètre minimum de 120 mm. Le parcours des fumées doit être le plus court possible.
- Ne pas relier la hotte aspirante aux conduits de cheminée qui acheminent les fumées de combustion (par exemple de chaudières, de cheminées, etc.).
- Si vous utilisez l'aspirateur en combinaison avec des appareils non électriques (par ex. appareils à gaz), vous devez garantir un degré d'aération suffisant dans la pièce, afin d'empêcher le retour du flux des gaz de sortie. La cuisine doit présenter une ouverture communiquant directement vers l'extérieur pour garantir l'amenée d'air propre. Si vous utilisez la hotte de cuisine en combinaison avec des appareils non alimentés à l'électricité, la pression négative dans la pièce ne doit pas dépasser 0,04 mbar afin d'éviter que la hotte ne réaspire les fumées dans la pièce.
- Si le cordon d'alimentation est endommagé, veuillez le faire remplacer par le fabricant ou par un service après-vente agréé pour éviter tout risque d'accident.



- Si les instructions d'installation du plan de cuisson à gaz spécifient une distance supérieure à celle indiquée ci-dessus, veuillez impérativement en tenir compte. Toutes les normes concernant l'évacuation de l'air doivent être respectées.
- Utiliser exclusivement des vis et des petites pièces du type adapté pour la hotte.  
**Attention** : toute installation des vis et des dispositifs de fixation non conforme aux présentes instructions peut entraîner des risques de décharges électriques.
- Brancher la hotte à l'alimentation de secteur avec un interrupteur bipolaire ayant une ouverture des contacts d'au moins 3 mm.

## UTILISATION

- Cette hotte aspirante a été conçue exclusivement pour un usage domestique, dans le but d'éliminer les odeurs de cuisine.
- Ne jamais utiliser la hotte pour des objectifs différents de ceux pour lesquels elle a été conçue.
- Ne jamais laisser un feu vif allumé sous la hotte lorsque celle-ci est en fonction.
- Régler l'intensité du feu de manière à l'orienter exclusivement vers le fond de la casserole, en vous assurant qu'il ne déborde pas sur les côtés.
- Contrôler constamment les friteuses durant leur utilisation : l'huile surchauffée risque de s'incendier.
- Ne pas flamber des mets sous la hotte : sous risque de provoquer un incendie.
- Cet appareil n'est pas destiné à être utilisé par des enfants d'un âge inférieur à 8 ans, ni par des personnes dont les capacités physiques, sensorielles ou mentales sont diminuées ou qui ont une expérience et des connaissances insuffisantes, à moins que ces enfants ou ces personnes ne soient attentivement surveillés et instruits sur la manière d'utiliser cet appareil en sécurité et sur les dangers que cela comporte. Assurez-vous que les enfants ne jouent pas avec cet appareil. Le nettoyage et l'entretien de la part de l'utilisateur ne doivent pas être effectués par des enfants, à moins que ce ne soit sous la surveillance d'une personne responsable.




- **ATTENTION** : les parties accessibles peuvent devenir très chaudes durant l'utilisation des appareils de cuisson.

## ENTRETIEN

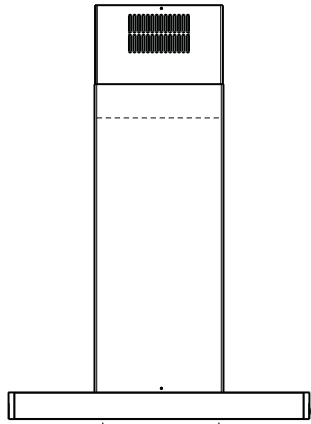
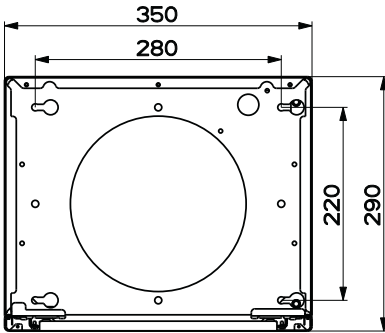
- Avant d'effectuer toute opération de nettoyage et d'entretien, éteindre ou débrancher l'appareil du secteur.
- Nettoyer et/ou remplacer les filtres après le délai indiqué (danger d'incendie).
- Nettoyer les filtres à graisse tous les 2 mois de fonctionnement ou plus souvent en cas d'utilisation particulièrement intense. Ces filtres peuvent être lavés au lave-vaisselle.
- Le filtre à charbon actif ne peut être ni lavé ni régénéré et il doit être remplacé environ tous les 4 mois de fonctionnement ou plus souvent en cas d'utilisation particulièrement intense.
- Effectuer le nettoyage selon les instructions, sous risque d'incendie.
- Nettoyer la hotte avec un chiffon humide et un détergent liquide neutre.



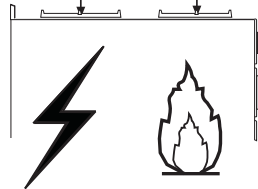
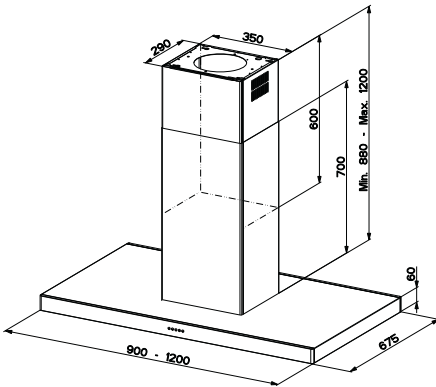
Le symbole  marqué sur le produit ou sur son emballage indique que ce produit ne peut pas être éliminé comme déchet ménager normal. Lorsque ce produit doit être éliminé, veuillez le remettre à un centre de collecte prévu pour le recyclage du matériel électrique et électronique. En vous assurant que cet appareil est éliminé correctement, vous participez à prévenir des conséquences potentiellement négatives pour l'environnement et pour la santé, qui risqueraient de se présenter en cas d'élimination inappropriée. Pour toute information supplémentaire sur le recyclage de ce produit, contactez votre municipalité, votre déchetterie locale ou le magasin où vous avez acheté ce produit.

# CARACTERISTIQUES

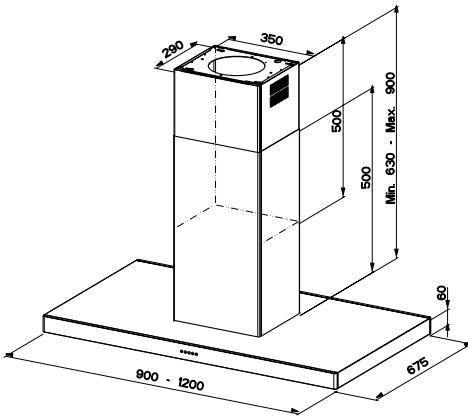
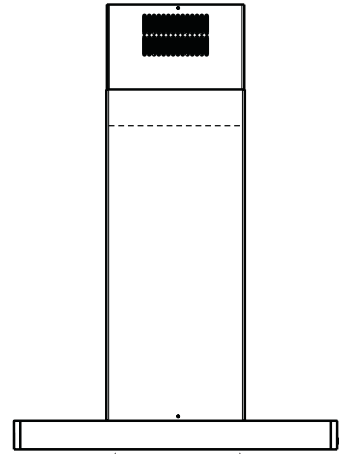
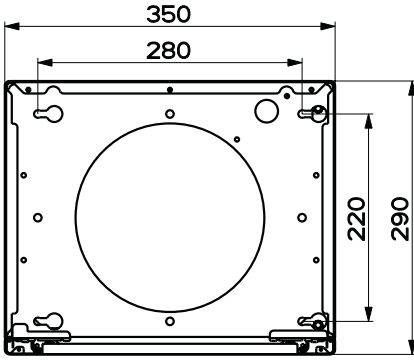
## Encombrement



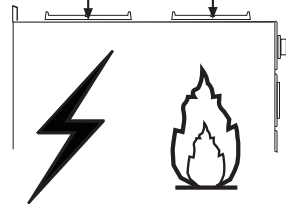
Min. 500mm    Min. 650mm







Min. 500mm    Min. 650mm

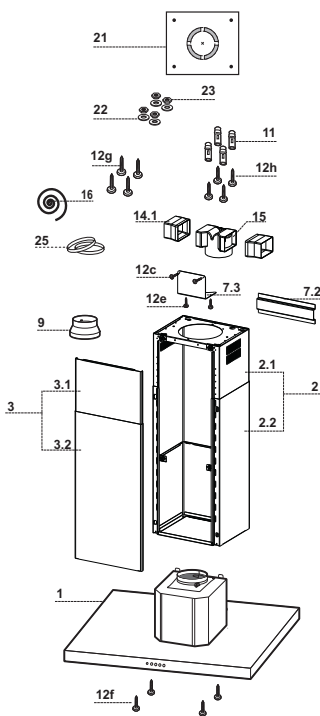


## Composants

Réf.	Q.té	Composants du produit
1	1	Corps de hotte comprenant : Commandes, Éclairage, Filtres
2	1	Conduit télescopique constitué de :
2.1	1	Conduit supérieur
2.2	1	Conduit inférieur
3	1	Conduit télescopique constitué de:
3.1	1	Panneau supérieur
3.2	1	Panneau inférieur
9	1	Bride de réduction ø 150 - 120 mm
14.1	1	Rallonge raccord de sortie de l'air
15	1	Raccord de sortie de l'air
16	1	Bande Novastick
25		Colliers serre-tube (non compris)

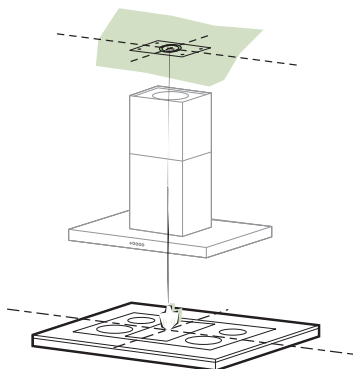
Réf.	Q.té	Composants d'installation
7.3	1	Bride de serrage raccord sortie air
7.2	1	Bride de serrage conduit télescopique
11	4	Cheilles ø 10
12c	2	Vis 2,9 x 6,5
12e	2	Vis 2,9 x 9,5
12f	4	Vis M4 x 80
12g	4	Vis M6 x 80
12h	4	Vis 5,2 x 70
21	1	Gabarit de perçage
22	4	Rondelles ø 6,4
23	4	Écrous M6

Q.té	Documentation
1	Manuel d'instructions



# INSTALLATION

---



---

## Perçage Plafond/Étagère et Fixation Treillis

---

### PERÇAGE PLAFOND/ETAGERE

- À l'aide d'un Fil à plomb, reporter sur le Plafond/Étagère de support le centre du Plan de Cuisson.
- Poser contre le Plafond/Étagère le Gabarit de Perçage **21** fourni avec l'appareil, en faisant coïncider son centre avec le centre projeté et en alignant les axes du Gabarit avec les axes du Plan de Cuisson.
- Marquer les centres des Trous du Gabarit.
- Percer les trous qui ont été marqués:
  - Plafond en Béton massif: en fonction des Goujons pour Béton utilisés.
  - Plafond en Briques avec chambre à air, avec épaisseur résistante de 20 mm:  $\varnothing$  10 mm (insérer immédiatement les Chevilles **11** fournies avec l'appareil).
  - Plafond en Poutrage en Bois: en fonction des Vis à Bois utilisées.
  - Étagère en Bois:  $\varnothing$  7 mm.
  - Passage du Câble électrique d'Alimentation:  $\varnothing$  10 mm.
  - Sortie Air (Version Aspirante): en fonction du diamètre de la connexion avec les Tuyaux d'Évacuation Externe.
- Visser deux vis en les croisant et en laissant 4-5 mm. de distance par rapport au plafond:
  - pour le Béton massif, des Goujons pour Béton, non fournis avec l'appareil.
  - pour Briques percées, ayant une épaisseur résistante de 20 mm. environ, utiliser les Vis **12h**, fournies avec l'appareil.
  - pour le Poutrage en bois, 4 Vis à bois, non fournies avec l'appareil.
  - pour l'Étagère en Bois, 4 Vis **12g** avec Rondelles **22** et Écrous **23**, fournis avec l'appareil.

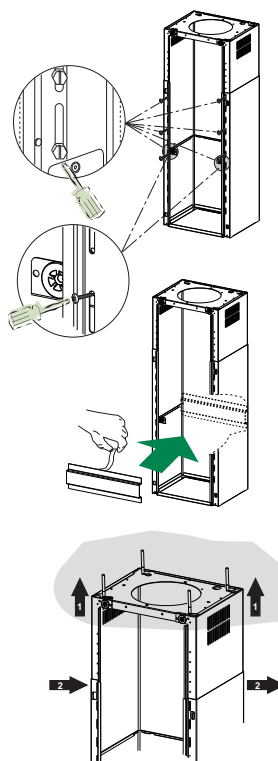
## Fixation Treillis/Conduit

Au cas où l'on souhaiterait régler la hauteur du treillis, suivre la marche ci-dessous :

- Desserrer les vis métriques d'assemblage des deux parties frontales visibles par la partie avant ;
- Régler la hauteur désirée du treillis et resserrer les vis précédemment retirées, en ayant soin d'en placer 2 à proximité du blocage du panneau ;
- Soulever le treillis, emboîter les fentes sur les vis et faire coulisser jusqu'en butée ;
- Serrer les deux vis et visser les deux autres vis fournies.
- Saisir la bride de serrage du conduit télescopique 7.2, retirer le film biadhésif et le coller intérieurement au treillis de manière à ce qu'il soit plus solide.

Avant de serrer définitivement les vis, on pourra effectuer des réglages en déplaçant le treillis, en veillant à ce que les vis ne sortent pas du logement de la fente de réglage.

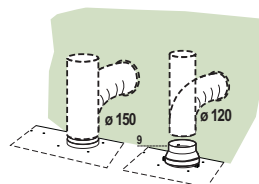
- La fixation du treillis doit être ferme tant par rapport au poids de la hotte qu'en ce qui concerne les contraintes résultant des poussées latérales occasionnelles subies par l'appareil une fois monté. Une fois fixé, vérifier que la base est stable même si le treillis fait l'objet d'efforts en flexion.
- Dans tous les cas où le plafond n'est pas suffisamment robuste au point de suspension, le monteur devra prendre des mesures pour le renforcer avec des plaques et contreplaques appropriées, ancrées sur des parties structurellement résistantes.



## SORTIE AIR VERSION ASPIRANTE

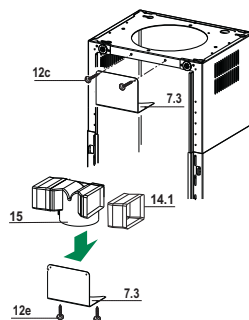
En cas d'installation en version aspirante, brancher la hotte à la tuyauterie de sortie via un tube rigide ou flexible de  $\varnothing$  150 ou 120 mm, au choix de l'installateur.

- En cas de branchement avec un tube de  $\varnothing$ 120 mm, insérer le flasque de réduction 9 sur la sortie du corps de la hotte.
- Fixer le tuyau à l'aide des Colliers de serrage serre-tube 25 (ne fournis pas).
- Retirer les éventuels filtres anti-odeur au charbon actif.



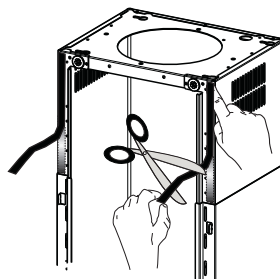
### Sortie de l'air version filtrante

- Monter latéralement les rallonges du raccord **14.1** sur le raccord **15** ;
- Placer le raccord **15** dans l'étrier de soutien **7.3** en le fixant avec les vis ;
- Fixer l'étrier de soutien **7.3** en le fixant avec les vis à la partie supérieure.
- S'assurer que la sortie des rallonges du raccord **14.1** se trouve en face des ouvertures du conduit, aussi bien horizontalement que verticalement ;
- Raccorder le raccord **15** à la sortie du corps de hotte au moyen d'un tuyau rigide ou flexible de 150 mm de diamètre, au choix de l'installateur ;
- S'assurer de la présence du filtre anti-odeur au charbon actif.



### Application Bande Novastick

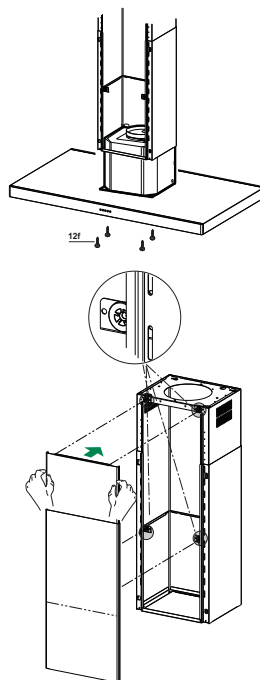
- Appliquer la bande Novastick **16** sur le bord frontal du conduit supérieur en partant du haut jusqu'au début du conduit inférieur.



## Montage du panneau et fixation du corps de hotte

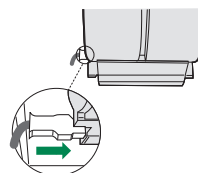
Avant de fixer le corps de hotte au treillis :

- Retirer les filtres à graisse du corps de hotte.
- Retirer les éventuels filtres anti-odeur au charbon actif.
- En passant par-dessous, fixer ensuite le corps de hotte au treillis, avec les 4 vis **12f** fournies (M6 x 10).
- Accrocher ensuite la partie supérieure du panneau **3**, réglé sur mesure, sur les supports en caoutchouc présents dans la partie supérieure du treillis et également dans celle inférieure ;
- Faire coulisser la partie inférieure du panneau **3** jusqu'à ce que ses languettes métalliques s'emboîtent dans les trous du treillis ;

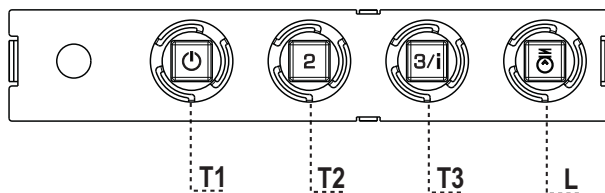


## BRANCHEMENT ELECTRIQUE

- Brancher la hotte sur le secteur en interposant un interrupteur bipolaire avec ouverture des contacts d'au moins 3 mm.
- Enlever les filtres à graisse (voir § "Entretien") et s'assurer que le connecteur du câble d'alimentation soit bien branché dans la prise du diffuseur.



# UTILISATION



**Tableau des commandes**

TOUCHE	VOYANT	FONCTIONS
<b>T1</b> Vitesse	Allumé	Démarre le moteur en première vitesse. Coupe le moteur.
<b>T2</b> Vitesse	Allumé	Démarre le moteur en deuxième vitesse.
<b>T3</b> Vitesse	Fixe	Appuyée brièvement, démarre le moteur en troisième vitesse.
	Clignotant	Appuyée pendant 2 secondes. Démarre la quatrième vitesse avec une temporisation de 6 minutes, après lesquelles le moteur retourne à la vitesse précédemment programmée. Fonction indiquée pour faire face aux pointes d'émission de fumées de cuisson.
<b>L</b> Lumière		Branche et débranche l'éclairage.

**Attention :** La touche **T1** coupe le moteur en passant toujours par la première vitesse.

# ENTRETIEN

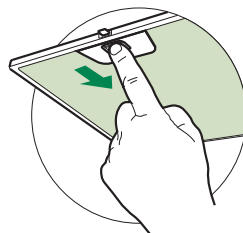
---

## Filtres anti-graisse

---

### NETTOYAGE FILTRES ANTI-GRAISSE METALLIQUES AUTOPORTEURS

- Lavables au lave-vaisselle, ils doivent être lavés environ tous les 2 mois d'emploi ou plus fréquemment en cas d'emploi particulièrement intense.
- Retirer les filtres l'un après l'autre, en les poussant vers la partie arrière du groupe et en tirant simultanément vers le bas.
- Laver les filtres en évitant de les plier et les laisser sécher avant de les remonter.
- Remonter les filtres en veillant à ce que la poignée reste vers la partie visible externe

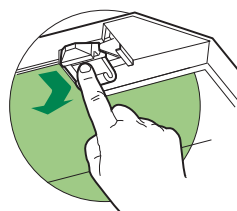


## Filtre anti-odeur (Version filtrante)

---

### REPLACEMENT FILTRE AU CHARBON ACTIF

- Ni lavable, ni régénérable, le remplacer au moins tous les 4 mois d'emploi ou plus fréquemment en cas d'emploi particulièrement intense.
- Retirer les filtres anti-graisse métalliques.
- Retirer le filtre anti-odeur au charbon actif colmaté, en agissant sur les crochets prévus à cet effet.
- Monter le nouveau filtre anti-odeur au charbon actif.
- Remonter les filtres anti-graisse métalliques.











## Eclairage

### REPLACEMENT LAMPES

#### Lampe halogène de 20 W.

- Retirer les 2 Vis qui fixent le Support éclairage et ôter ce dernier de la Hotte.
- Extraire la Lampe du Support.
- Remplacer par une nouvelle lampe possédant les mêmes caractéristiques, en veillant à ce que les deux fiches soient correctement insérées dans le logement de la Douille.
- Remonter le Support en le fixant à l'aide des deux Vis précédemment retirées.



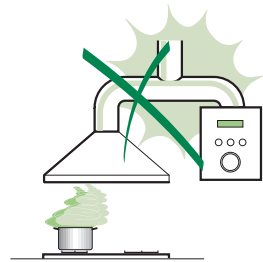
Ampoule	Absorption (W)	Culot	Voltage (V)	Dimensions (mm)	Code ILCOS
	28	E14	220 – 240	104 x 35	HSGSB/C/UB-28-220/240-E14
	20	G4	12	33 x 9	HSG/C/UB-20-12-G4
	35	GU10	230	51 x 50,7	HAGS-35-230-GU10-51/40
	50	GU10	230	51 x 50,7	HAGS-35-230-GU10-51/20
	20	GU4	12	40 x 35	HRGS-20-12-GU4-35/30
	20	GU5.3	12	46 x 51	HRGS-20-12-GU5.3-50/10
	16	G13	95	720 x 26	FD--16/40/1B-E--G13--26/720
	18	G13	57	589,8 x 26	FD--18/40/1B--E--G13--26/600
	9	G23	60 (ampoule) 220-240 (starter)	167 x 28	FSD-9/27/1B-I-G23
	11	G23	91 (ampoule) 220-240 (starter)	235,8 x 28	FSD-11/40/1B-I-G23

# EMPFEHLUNGEN UND HINWEISE

- △ Diese Gebrauchsanleitungen beziehen sich auf die verschiedenen Modelle der Abzugshaube. Darum kann es möglich sein, dass die Beschreibung bestimmter Merkmale für das vorliegende Gerät nicht zutrifft.

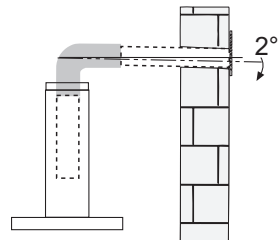
## INSTALLATION

- Der Hersteller haftet nicht für etwaige Schäden, die durch die fehlerhafte Installation oder falschen Gebrauch entstehen könnten.
- Der min. Sicherheitsabstand zwischen Kochfeld und Abzugshaube beträgt 650 mm (einige Modelle können auch niedriger installiert werden; siehe Absatz Installation).
- Kontrollieren Sie, ob die Netzspannung den Daten des Typenschilds im Innern der Haube entspricht.
- Für Geräte der Klasse I muss kontrolliert werden, ob das häusliche Versorgungsnetz korrekt geerdet ist.



Die Absaughaube mit Hilfe eines Rohrs mit einem Mindestdurchmesser von 120 mm mit dem Rauchabzug verbinden. Der Verlauf des Rauchabzugs soll so kurz wie möglich sein.

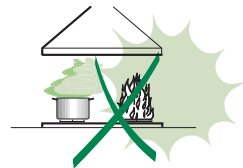
- Die Abzugshaube darf nicht an einen Schacht angeschlossen werden, in den Rauchgase geleitet werden (z. B. von Heizkessel, Kaminen, usw.).
- Falls in dem Raum neben dem Abzug auch nicht mit Strom betriebene Geräte (zum Beispiel Gasgeräte) eingesetzt werden, muss für eine ausreichende Belüftung gesorgt werden, damit der Rückfluss der Abgase verhindert wird. Die Küche muss eine direkte Öffnung nach Außen aufweisen, damit ein ausreichender Luftaustausch gewährleistet wird. Wird die Abzugshaube zusammen mit nicht mit Strom betriebenen Geräte eingesetzt, darf der Unterdruck im Raum 0,04 mbar nicht überschreiten, damit die Abgase nicht wieder angesaugt werden.
- Schadhafte Kabel müssen durch den Hersteller oder vom Kundendienst ausgewechselt werden, damit jedes Risiko ausgeschlossen wird.



- Falls die Montageanweisungen für die gasbetriebene Kochmulde einen größeren Abstand vorschreiben, als der oben angegebene, muss diese Vorgabe befolgt werden. Es sind sämtliche Abluftvorschriften zu beachten.
- Nur für die Abzugshaube geeignete Schrauben und Kleinteile verwenden.  
**Achtung:** Werden die Schrauben und Befestigungselemente nicht entsprechend der vorliegenden Anleitungen verwendet, besteht Stromschlaggefahr.
- Die Abzugshaube mittels zweipoligem Schalter mit einer Öffnung der Kontakte von mindestens 3 mm an das Netz anschließen.

## GEBRAUCH

- Die Abzugshaube wurde ausschließlich für den häuslichen Gebrauch entwickelt, um Kochdünste zu beseitigen.
  - Die Haube darf nur für die ihr zugedachten Zwecke benutzt werden.
- ⚠ **Achtung! Große Flammen bei eingeschalteter Haube niemals unbedeckt lassen.**
- Die Flamme so regulieren, dass sie nicht über den Boden des Kochgeschirrs hinausreicht.
- ⚠ **Achtung! Frittiergeräte müssen während des Gebrauchs stets beaufsichtigt werden: Überhitztes Öl kann sich entzünden.**
- Auf keinen Fall unter der Haube flambieren: Brandgefahr.
  - Kinder ab 8 Jahren und Personen mit eingeschränkten physischen, sensorischen oder psychischen Fähigkeiten, oder mit mangelnden Erfahrungen oder Kenntnissen dürfen nicht mit dem Gerät umgehen, es sei denn, sie werden von einer für ihre Sicherheit verantwortlichen Person beaufsichtigt oder angeleitet. Sicherstellen, dass Kinder nicht mit dem Gerät herumspielen können. Reinigungs- und Wartungsarbeiten dürfen nicht von unbeaufsichtigten Kindern durchgeführt werden.




- **ACHTUNG:** Die zugänglichen Teile können während des Gebrauchs der Kochgeräte sehr heiß werden.

## WARTUNG

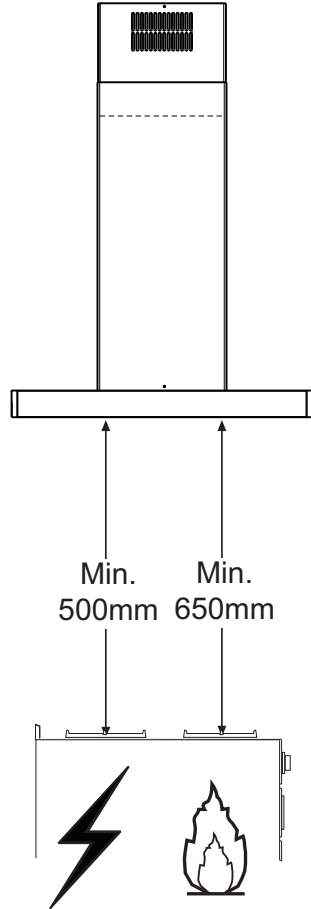
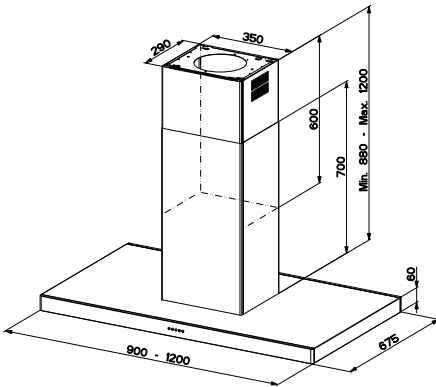
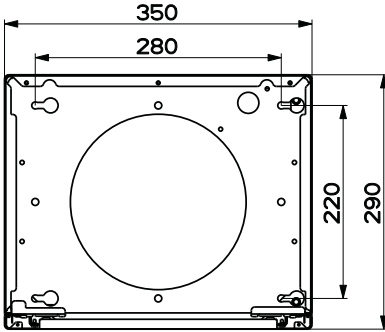
- Vor Reinigungs- oder Wartungsarbeiten am Gerät, muss dieses ausgeschaltet und spannungslos gemacht werden.
- Die Filter stets nach den angegebenen Intervallen reinigen oder auswechseln (Brandgefahr).
- Die Fettfilter sind alle 2 Monate oder bei intensiver Nutzung öfter zu reinigen und können in der Spülmaschine gespült werden.
- Der Aktivkohlefilter ist weder waschbar, noch regenerierbar und muss bei normalem Betrieb zirka alle 4 Monate oder auch öfter ausgewechselt werden, je nach Intensität des Gebrauchs.
- „Wenn die Reinigung nicht nach den Anweisungen durchgeführt wird, besteht Brandgefahr“.
- Die Haube mit einem feuchten Lappen und einem neutralen Reinigungsmittel abwischen.

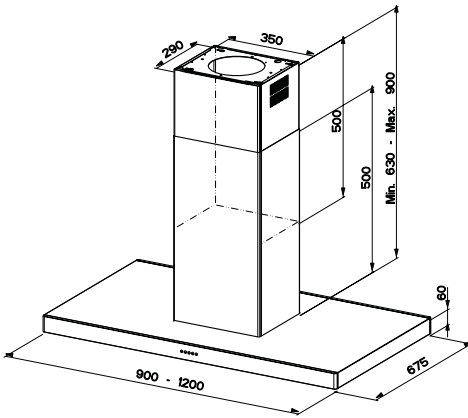
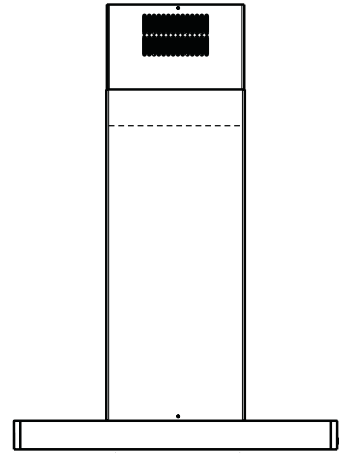
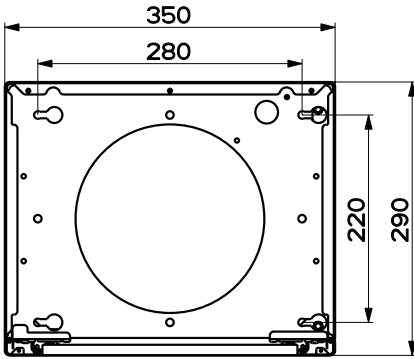


Das Symbol  am Produkt oder auf der Verpackung weist darauf hin, dass das Gerät nicht als normaler Hausmüll entsorgt werden darf. Das ausrangierte Gerät muss vielmehr bei einer speziellen Sammelstelle für elektrische und elektronische Geräte abgegeben werden. Mit der vorschriftsmäßigen Entsorgung des Gerätes trägt der Benutzer dazu bei, schädliche Auswirkungen auf Umwelt und Gesundheit zu vermeiden. Weitere Informationen zum Recycling dieses Produktes können bei der zuständigen Behörde, der örtlichen Abfallbeseitigung oder bei dem Händler, der das Gerät verkauft hat, eingeholt werden.

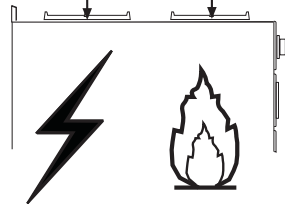
# CHARAKTERISTIKEN

## Platzbedarf





Min. 500mm    Min. 650mm



## Komponenten

### BezugMengeProduktkomponenten

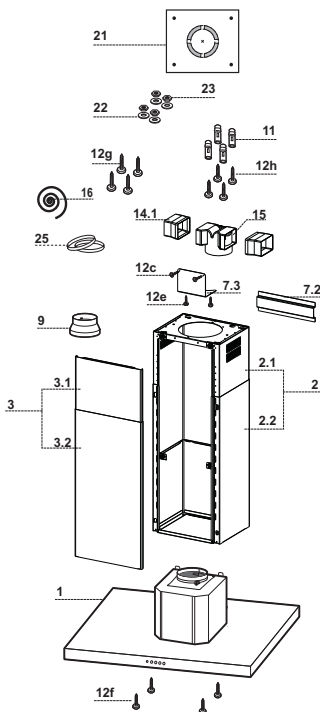
1	1	Haubenkörper, komplett mit: Bedienelemente, Beleuchtung, Filter
2	1	Teleskopkamin, bestehend aus:
2.1	1	Oberer Kaminteil
2.2	1	Unterer Kaminteil
3	1	Teleskoppaneel, bestehend aus:
3.1	1	Oberes Paneel
3.2	1	Unteres Paneel
9	1	Reduzierflansch $\varnothing$ 150-120 mm
14.1	1	Anschlussverlängerung Luftauslass
15	1	Anschluss Luftauslass
16	1	Novastick-Band
25		Rohrschellen (nicht enthalten)

### BezugMengeInstallationskomponenten

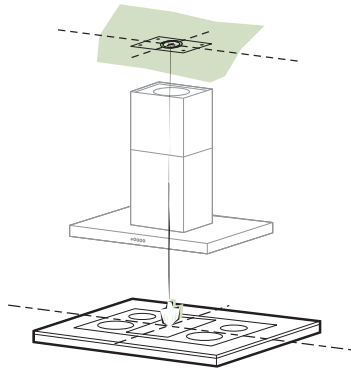
7.3	1	Befestigungswinkel Anschluss Luftauslass
7.2	1	Befestigungswinkel Teleskopkamin
11	4	Dübel $\varnothing$ 10 mm
12c	2	Schrauben 2,9 x 6,5
12e	2	Schrauben 2,9 x 9,5
12f	4	Schrauben M4 x 80
12g	4	Schrauben M6 x 80
12h	4	Schrauben 5,2 x 70
21	1	Bohrschablone
22	4	Unterlegscheiben $\varnothing$ 6,4
23	4	Muttern M6

### Menge Dokumentation

1	Betriebsanleitung
---	-------------------



# MONTAGE



## Bohren der Decke/Trägerplatte und Montage des Teleskopgerüsts

- ⚠ Achtung:** Bitte beachten Sie bei der Montage das Gewicht der kompletten Haube. Die Tragfähigkeit der Decke oder alternativ der Trägerplatte für diese Zugbelastung muss vor der Montage geprüft und gegebenenfalls durch die Anbringung von geeigneten Befestigungs- oder Stabilisierungselementen hergestellt werden. Kann eine hinreichende Tragfähigkeit nicht sichergestellt werden, ist von einer Montage abzusehen.

### BOHREN DER DECKE/TRÄGERPLATTE

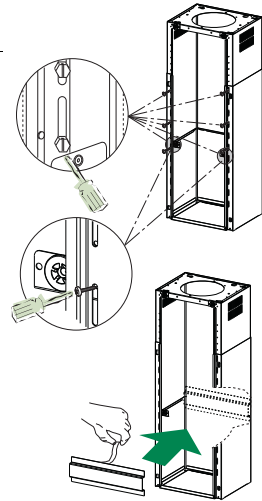
- Mit Hilfe eines Lots den Kochmulden-Mittelpunkt an der Decke oder Trägerplatte ermitteln und kennzeichnen.
- Die mitgelieferte Bohrschablone **21** so auf die Decke/Trägerplatte legen, dass die Schablonenmitte mit dem gekennzeichneten Mittelpunkt übereinstimmt und die Schablonenseiten auf die Seiten der Kochmulde ausrichten.
- Die Mitte der Schablonenbohrungen kennzeichnen.
- Die gekennzeichneten Punkte bohren:
  - Massivbeton-Decke: je nach verwendeten Beton-Dübeln.
  - Decke aus Hohlkammer-Ziegeln mit 20 mm Wandungsstärke:  $\varnothing$  10 mm (sofort die mitgelieferten Dübel **11** einfügen).
  - Holzbalkendecke: je nach verwendeten Holzschrauben.
  - Holz-Trägerplatte:  $\varnothing$  7 mm.
  - Durchgang für das Speisekabel:  $\varnothing$  10 mm.
  - Luftaustritt (Abluftversion): je nach Durchmesser des Anschlussrohres für die Luftableitung.
- Zwei sich gegenüberliegende Schrauben festziehen und 4-5 mm Freiraum zur Decke belassen:
  - bei Massiv-Betondecken mit speziellen Betondübeln, die nicht mitgeliefert werden;
  - für Hohlkammer-Ziegeln mit ca. 20 mm Wandungsstärke die mitgelieferten Schrauben **12h** verwenden;
  - bei Holzbalken-Decken mit 4 Holzschrauben, die nicht mitgeliefert werden;
  - bei Holz-Trägerplatten mit 4 Schrauben **12g**, Unterlegscheiben **22** und Schraubenmuttern **23**, die im Lieferumfang enthalten sind.



## Fixierung von Gitter/Kamin

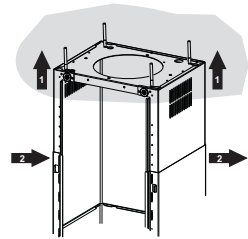
Falls die Höhe des Gitters verändert werden soll, wie folgt vorgehen:

- Die metrischen Schrauben lösen, welche die beiden frontal sichtbaren Frontteile verbinden.
- Die Höhe des Gitters nach Wunsch regulieren und die zuvor ausgebauten Schrauben wieder einschrauben, wobei 2 Schrauben in der Nähe der Paneelsperre angebracht werden sollen.
- Das Gitter anheben, die Langlöcher an den Schrauben einhaken und bis zum Anschlag gleiten lassen;
- Die beiden Schrauben festziehen und die beiden mitgelieferten Schrauben einschrauben;
- Den Befestigungswinkel des Teleskopkamins 7.2 zur Hand nehmen, die Schutzfolie des zweiseitigen Klebbands abziehen und dieses zur Verstärkung im Innern des Gitters anbringen.



Bevor die Schrauben endgültig festgeschraubt werden, kann durch Verschieben des Gitters reguliert werden. Dabei darauf achten, dass die Schrauben nicht aus dem Sitz der Einstellschrauben fallen.

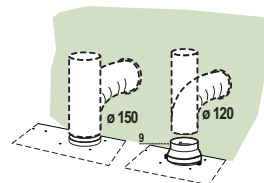
- Das Gitter muss entsprechend dem Gewicht der Haube und den Belastungen durch seitliche Stoßeinwirkungen auf das installierte Gerät sicher befestigt werden. Nach dem Befestigen also kontrollieren, ob die Basis stabil bleibt, auch wenn das Gitter Biegebelastungen ausgesetzt ist.
- In allen Fällen, in denen die Decke am Aufhängepunkt nicht robust genug sein sollte, muss der Installateur sie durch Platten und Konterplatten verstärken, die an stabilen Strukturteilen verankert werden.



## Anschluss in Abluftversion

Bei Abluftbetrieb kann die Haube vom Installateur wahlweise mittels Rohr oder Schlauch ( $\varnothing$  150 oder 120 mm) an die Außenrohrleitung angeschlossen werden.

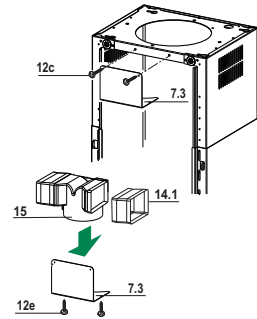
- Bei Verwendung eines Anschlussrohres  $\varnothing$  120 den Reduzierflansch 9 am Haubenaustritt anbringen.
- Das Rohr mit den Rohrschellen 25 fixieren (nicht mitgeliefert).
- Eventuell vorhandene Aktivkohlefilter entnehmen.



**⚠ Achtung!** Alle Querschnittänderungen oder Richtungsänderungen des Abluftkanals reduzieren die Leistung der Haube.

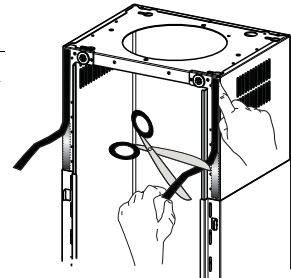
## Luftaustritt bei der Umluftvariante

- Die Anschlussverlängerungen **14.1** seitlich am Anschluss **15** einsetzen.
- Den Anschluss **15** am Haltewinkel **7.3** einsetzen und mit den Schrauben fixieren.
- Den Haltewinkel **7.3** mit den Schrauben an der Oberseite befestigen.
- Sicherstellen, dass sich der Austritt der Anschlussverlängerungen **14.1** sowohl waagrecht als auch senkrecht auf Höhe der Öffnungen des Kamins befindet.
- Den Anschluss **15** mittels eines starren oder flexiblen Rohrs mit  $\varnothing 150$  mm, das vom Installateur ausgewählt wird, an den Austritt des Haubenkörpers anschließen.
- Sicherstellen, dass der Aktivkohlefilter zur Geruchsbindung vorhanden ist.



## Anbringen des Novastick-Bands

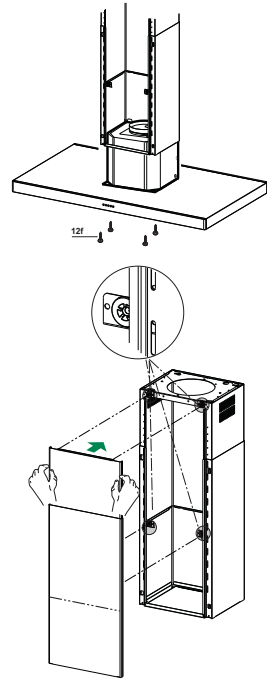
- Das Novastick-Band **16** an der Frontkante des oberen Kaminteils von oben bis zum Anfang des unteren Kaminteils anbringen.



## Montage des Panels und Befestigung des Haubenkörpers

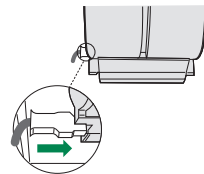
Vor dem Befestigen des Haubenkörpers am Gitter:

- Die Fettfilter aus dem Haubenkörper nehmen.
- Die eventuell vorhandenen Aktivkohlefilter ausbauen.
- Dann den Haubenkörper mit den mitgelieferten 4 Schrauben **12f** (M6 x 10) von unten am vorbereiteten Gitter befestigen.
- Danach die Oberkante des nach Maß regulierten Panels **3** an den Gummihalterungen an der Ober- und Unterseite des Gitters einhängen;
- Die Unterkante des Panels **3** so verschieben, dass die Metalllaschen in die Ösen des Gitters;

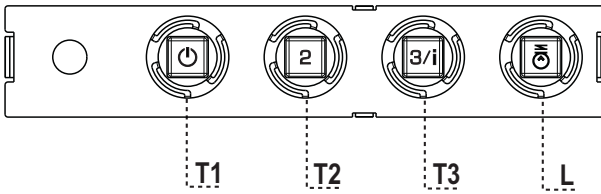


## Elektroanschluss

- ⚠ **Vor der Installation die Netzspannung durch Herausdrehen der Sicherung oder ausschalten des Hauptschalters stromlos machen.**
- Bei Anschluss der Haube an das Stromnetz muss ein zweipoliger Schalter mit einem Öffnungsweg von mindestens 3 mm zwischengeschaltet werden.
- Entfernen Sie die Fettfilter (s. Abschnitt „Wartung“) und versichern Sie sich, daß die Kabelverbindung in die Steckdose des Gebläses einwandfrei eingesteckt wird.
- ⚠ **Achtung: Das Gerät nur an die Netzspannung die im Typenschild angegeben ist anschließen.**



# BEDIENUNG



## Schalttafel

TASTE	LED	FUNKTIONEN
<b>T1</b> Betriebsgeschwindigkeit	Eingeschaltet	Schaltet den Motor bei der ersten Betriebsgeschwindigkeit ein. Stellt den Motor ab.
<b>T2</b> Betriebsgeschwindigkeit	Eingeschaltet	Schaltet den Motor bei der zweiten Betriebsgeschwindigkeit ein.
<b>T3</b> Betriebsgeschwindigkeit	Bleibend Blinkend	Schaltet den Motor bei der dritten Betriebsgeschwindigkeit ein. Bei 2 Sekunden langem Drücken: Aktiviert die auf 6 Minuten geregelte vierte Betriebsgeschwindigkeit, nach deren Ablauf zu der zuvor eingestellten Geschwindigkeit zurückgekehrt wird. Für die Beseitigung von sehr intensiven Kochdünsten geeignet.
<b>L</b> Licht		Schaltet die Beleuchtung ein und aus.

**Achtung:** Mit der Taste **T1** wird von der ersten Betriebsgeschwindigkeit aus der Motor abgestellt.

# WARTUNG

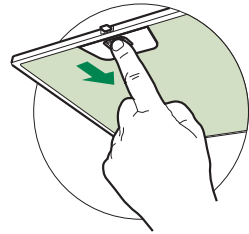
---

## Fettfilter

---

### SELBSTTRAGENDER METALLFETTFILTER REINIGUNG

- Sie müssen nach 2-monatigem Betrieb bzw. bei starkem Einsatz auch häufiger gereinigt werden, was im Geschirrspüler möglich ist.
- Die Filter nacheinander aushaken, indem sie auf die Rückseite der Gruppe geschoben und gleichzeitig nach unten gezogen werden.
- Die Filter reinigen (darauf achten, sie nicht zu verbiegen) und vor der Remontage trocknen lassen.
- Bei der Remontage ist darauf zu achten, dass sich der Griff auf der sichtbaren Außenseite befindet.

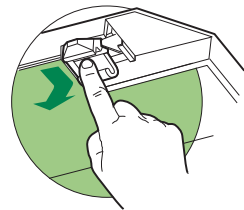


## Geruchsfilter (Umluftversion)

---

### AUSTAUSCHEN DER AKTIVKOHLE FILTER

- Dieser Filter kann weder gewaschen noch wiederverwendet werden und ist alle 4 Betriebsmonate bzw. bei starkem Einsatz auch häufiger auszutauschen.
- Die Metallfettfilter entfernen.
- Den gesättigten Aktivkohle-Filter aushaken.
- Den neuen Filter in seinem Sitz einhaken.
- Die Metallfettfilter wieder montieren.









## Beleuchtung

### AUSWECHSELN DER LAMPEN

#### Halogenlampe 20 W

- Vor dem Auswechseln der Lampen, die beiden Schrauben der Lampenhalterung loesen und die Lampenhalterung aus der Dunstabzugshaube ziehen.
- Die Lampe aus der Halterung nehmen.
- Die Lampe durch eine gleichwertige ersetzen und bei der Remontage darauf achten, daß die beiden Steckerstifte vorschriftsmäßig in die Lampenfassung eingeführt werden.
- Die Lampenhalterung wieder montieren, indem die beiden zuvor entfernten Schrauben wieder angezogen werden.



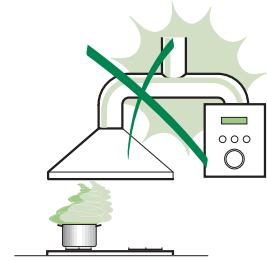
Lampe	Leistung (W)	Fassung	Spannung (V)	Größe (mm)	ILCOS-Code
	28	E14	220 – 240	104 x 35	HSGSB/C/UB-28-220/240-E14
	20	G4	12	33 x 9	HSG/C/UB-20-12-G4
	35	GU10	230	51 x 50,7	HAGS-35-230-GU10-51/40
	50	GU10	230	51 x 50,7	HAGS-35-230-GU10-51/20
	20	GU4	12	40 x 35	HRGS-20-12-GU4-35/30
	20	GU5.3	12	46 x 51	HRGS-20-12-GU5.3-50/10
	16	G13	95	720 x 26	FD--16/40/1B-E--G13--26/720
	18	G13	57	589,8 x 26	FD--18/40/1B--E--G13--26/600
	9	G23	60 (Lampe) 220-240 (Starter)	167 x 28	FSD-9/27/1B-I-G23
	11	G23	91 (Lampe) 220-240 (Starter)	235,8 x 28	FSD-11/40/1B-I-G23

## TAVSİYELER VE ÖNERİLER

△ Kullanım talimatları, bu ev aletinin çeşitli modelleri için geçerlidir. Aynı şekilde, bu ürünle ilgisi olmayan özelliklerin tanımlarını da görebilirsiniz.

### MONTAJ

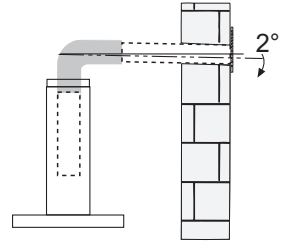
- Yanlış veya hatalı montajdan doğan yaralanma ve hasarlar için imalatçı yükümlü olmayacaktır.
- Pişiricinin üst kısmı ve davlumbaz arasındaki minimum güvenlik mesafesi 650 mm'dir. (Bazı modeller daha alçak mesafeye monte edilebilir, lütfen çalışma boyutları ve montaj paragraflarına bakınız.)
- Ana voltajın davlumbazın iç tarafına sabitlenmiş olan derecelendirme plakasındaki ile uyumlu olduğunu kontrol edin.



- I. sınıf ev aletleri için, ev güç kaynağının yeterli topraklama sağladığından emin olun. Aspiratörü egzoz bacasına minimum çapı 120 mm olan bir boru vasıtasıyla bağlayın. Baca hattı mümkün olduğu kadar kısa olmalıdır.

- Davlumbazı tutuşabilir gazlar taşıyan egzoz kanallarına bağlamayın (kazanlar, şömineler, vs.).

- Eğer davlumbaz elektrikli olmayan ev aletleri ile birlikte kullanılacaksa (ör. gazlı ev aletleri), egzoz gazının geri tepmesini engellemek adına odada yeterli derecede bir havalandırma olması garanti edilmelidir. Temiz havanın girişini garanti etmek adına mutfakta temiz hava girişini sağlayan bir açıklık olmalıdır. Davlumbazın elektrik dışında enerji veren ev aletleri ile birlikte kullanılması durumunda, davlumbazın gazları geri yollamasını engellemek adına odadaki negatif basınç 0,04 barı aşmamalıdır.

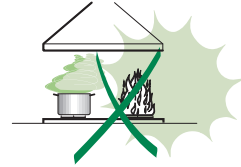


- Güç kablosuna zarar gelmesi durumunda, herhangi bir riski engellemek adına imalatçı veya teknik servis birimince değiştirilmelidir.

- Gaz ocağının montaj talimatlarında yukarıda belirtilenden daha fazla bir mesafe belirtilmişse, buna dikkat edilmesi gerekir. Hava deşarjı ile ilgili yönetmeliklere uyulması gerekir.
- Davlumbazı desteklemek için sadece vida ve küçük parçalar kullanın.  
**Uyarı:** İşbu talimatlar uyarınca vidaları veya sabitleme aletlerini kullanmamak elektrik tehlikelerine yol açabilir.
- Davlumbazı, arasında en az 3mm irtibat mesafesi olan iki kutuplu bir anahtar vasıtasıyla cereyana bağlayın.

## KULLANIM

- Davlumbaz mutfak kokularını gidermek adına ev kullanımı için tasarlanmıştır.
- Davlumbazı asla tasarlandığı amaçlar haricinde kullanmayın.
- Davlumbaz çalışırken altında boşuna yanan yüksek ateş asla bırakmayın.
- Ateş yoğunluğunu sadece tencere altında kalacak ve yanlardan taşmadığından emin olacak şekilde ayarlayın.
- Fritözler kullanım esnasında sürekli izlenmelidir: fazla ısınmış yağ, ateş alabilir.
- Davlumbaz altında flambe yapmayınız; yangın riski.
- Bu ev aleti, 8 yaş üstü çocuklar ve fiziksel, duyuusal veya akli yetersizliği olan veya tecrübe ve bilgi eksikliği olan kişilerce bu kişilerin güvenliğinden sorumlu olan kişilerin gözetimi altında veya ev aletinin kullanımı ile ilgili talimatlar kendilerine verildiği durumlarda kullanılabilir. Çocuklar, ev aleti ile oynamamalıdır. Temizleme ve bakım gözetiminde olmadıklarında çocuklarca yapılmayacaktır.






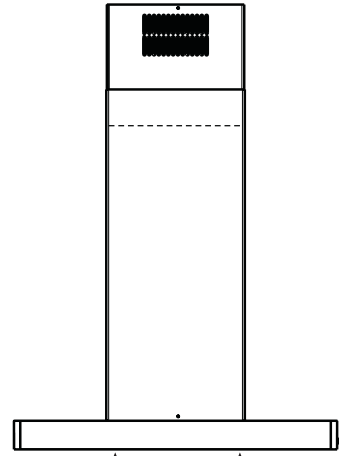
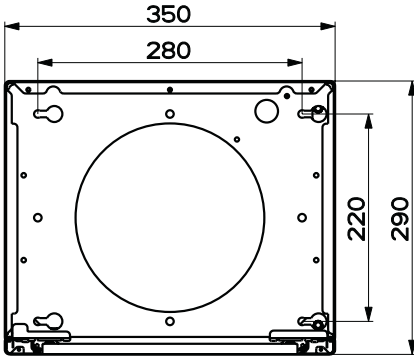
- “ **DİKKAT:** Pişirme aletleri ile kullanıldıklarında temas edilebilir parçalar ısınabilir.”

## BAKIM

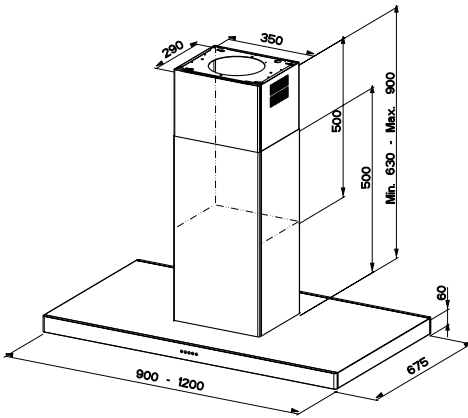
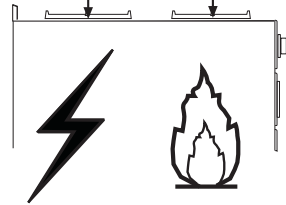
- Herhangi bir bakım işlemine başlamadan evvel ev aletini kapatın veya ana güç kaynağından fişini çekin.
- Belirlenmiş zaman sonunda filtreleri temizleyin ve/veya değiştirin (Yangın tehlikesi).
- Yağ filtreleri her 2 ayda bir veya yoğun kullanım olması durumunda daha sık olarak temizlenmelidir ve bulaşık makinesinde yıkanabilirler.
- Aktif karbon filtresi yıkanabilir değildir, yeniden kullanılamaz ve her 4 ayda bir veya yoğun kullanım olması durumunda daha sık olarak değiştirilmelidir.
- "Temizliğin talimatlara uygun olarak yapılmadığı durumlarda yangın riski vardır."
- Davlumbazı nemli bir bez ve nötr sıvı deterjanla temizleyin.

Ürün üstündeki veya paketindeki  sembolü, bu ürünün evsel atık olarak değerlendirilmeyeceğinin göstergesidir. Elektrikli ve elektronik ekipmanın geri dönüşümü için uygun toplama noktasına teslim edilmelidir. Bu ürünün doğru şekilde bertaraf edildiğinden emin olarak, bu atık ürününün uygun olmayan şekilde işlenmesinden doğacak çevre ve insan sağlığı için potansiyel olumsuz sonuçların engellenmesine yardımcı olacaksınız. Bu ürünün geri dönüşümü ile ilgili daha detaylı bilgi için lütfen yerel yetkili ofisiniz, evsel atık bertaraf hizmeti veya ürünü satın aldığınız mağaza ile irtibata geçiniz.

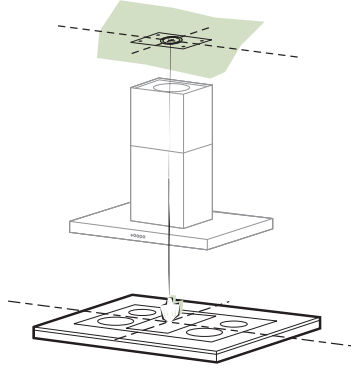




Min. 500mm    Min. 650mm







## Tavan / Konsol delme işlemi ve Kafesin Sabitlemesi

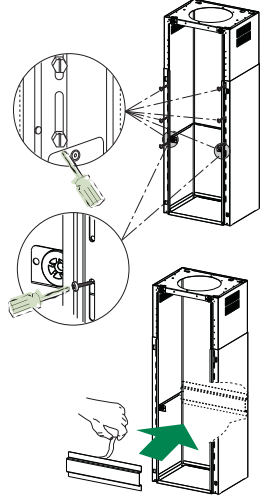
### TAVANIN YADA KONSOLUN DELİNMESİ

- Bir şakül yardımıyla tavana ya da destek konsölüne pişirme tezgahının merkezini işaretleyiniz.
- Tavana veya konsola donanımla birlikte verilen delik delme şablonunu (21) dayayınız ve bunun merkeziyle işaretlenen merkezi birbirine çakıştırınız. Yani şablonun eksenini ile pişirme tezgahı eksenini bir hizaya gelmiş olsun.
- Delik delme şablonuyla delikleri duvara işaretleyiniz.
- Şu şekilde delik deliniz:
  - Masif beton tavan: beton dübelleri kullanarak.
  - Direnç kalınlığı 20 mm ve üstte hava boşluğu olan tuğla tavan: 10 mm çapında delik (donanımla verilmiş dübelleri (11) hemen takınız)
  - Ahşap tavan: ahşap dübelleri kullanarak.
  - Ahşap konsola: 7 mm çapında delik deliniz.
  - Elektrik besleme kablosunun geçişi için:  $\varnothing$  10 mm çapında.
  - Hava Çıkışı (Aspiratörlü model): Dış hava tahliye borusu bağlantısının çapına göre.
- Tavana çaprazlamasına iki vida takıp 4-5 mm dışarıda bırakınız. Bu vidalar şöyle olmalıdır:
  - Masif beton için buna uygun vida ve dübeller; bunlar donanımla verilmemiştir.
  - Hava boşluklu tuğla tavan - yaklaşık 20 mm direnç kalınlıklı - bunun için donanımla verilmiş vidaları (12h) kullanınız.
  - Ahşap tavana uygun vidalar: donanımda yoktur.
  - Ahşap konsola: donanımdaki vidalar (12g), rondelalar (22) ve cıvatalar (23).

## Izgara Kafes/Baca Sabitlenmesi

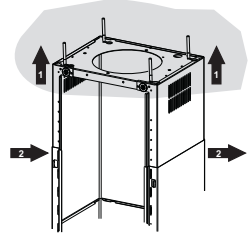
Kafesin yüksekliğini ayarlamak istediğinizde aşağıdaki işlemleri yapınız:

- Önden görünen iki bölümü birleştiren iki metrik vidayı sökünüz;
- Arzu edilen kafes yüksekliğini ayarlayın ve daha önceden çıkartılan vidaları 2 tanesini panel bloğu yakınına koyduğunuzdan emin olarak yeniden takınız.
- Kafesi kaldırınız ve kılavuzları vidalara geçirerek sonuna kadar itiniz.
- İki vidayı sıkınız ve donanımda verilen diğer iki tanesini vidalayınız.
- **7.2** teleskopik baca blokağ dirseğini alınız, kendinden yapışkanlı bandın filmini çıkartınız ve kafese, bunu daha sabit tutacak şekilde içerden yapıştırınız.



Vidaları tam olarak sıkıştırmadan önce vidaların kılavuzlarından çıkmamasına dikkat ederek kafesi yerinden oynatmak suretiyle ayarlar yapmak mümkündür.

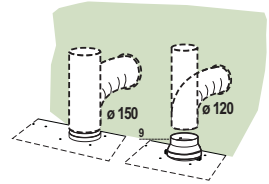
- Kafesin sabitlenmesi, hem Davlumbaz gövdesinin ağırlığı hem de monte edilen cihazın yan taraflarında olası itişlerin neden olduğu sıkıştırmalara bağılı olarak kesin olmalıdır. Gerçekleştirilen sabitlemede tabanın sabit olduğunu ve Kafesin eğimli sıkıştırıldığını kontrol ediniz.
- Tavanın, asma noktasında yeterli derecede sağlam olmadığı her durumda, kurulumu yapan kişi burayı uygun plakalarla ve dayanıklı demirlerle güçlendirmelidir.



## Aspiratörlü Model Hava Çıkışı Bağlantısı

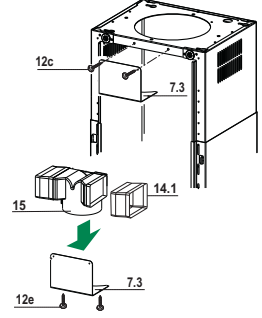
Aspiratörlü modelin bağlantısını yapmak için, davlumbazı  $\varnothing 150$  yada 120 mm çapında, montörün seçimine göre sert veya esnek bir boruyla çıkış kanalına bağılayınız.

- $\varnothing 120$  mm çapında boruyla bağılantı için, redüksiyon flansını 9 davlumbaz gövdesi çıkışına takınız.
- Boruyu uygun boru kelepçeleri **25** ile sabitleyin (dahil değildir).
- Varsa aktif karbon filtrelerini çıkartınız.



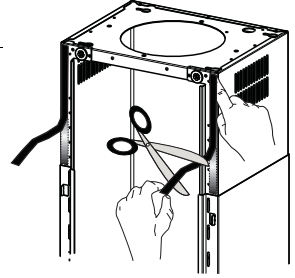
## Filtre Edici Versiyon Hava Çıkışı

- **14.1** ekleme bileziği uzatmalarını yanal olarak **15** no.lu ekleme bileziğine sokunuz.
- Vidaları sabitleyerek **15** no.lu bağlantıyı **7.3** Destek Dirseğine ekleyiniz.
- **7.3** Destek dirseğini vidalarla üst bölüme sabitleyiniz.
- **14.1** ekleme bileziği uzatmaları çıkışının, gerek yatay, gerekse dikey olarak, baca mentezlerinin hizasında bulunduğundan emin olunuz.
- **15** no.lu Bağlantıyı, montaj görevlisinin seçimine göre  $\phi 150$  mm çapında sert veya esnek bir hortum ile Davlumbaz Gövdesi Çıkışına bağlayınız.
- Aktif Karbonlu Koku önleyici Filtrenin bulunduğundan emin olunuz.



## Novastick Bant Uygulaması

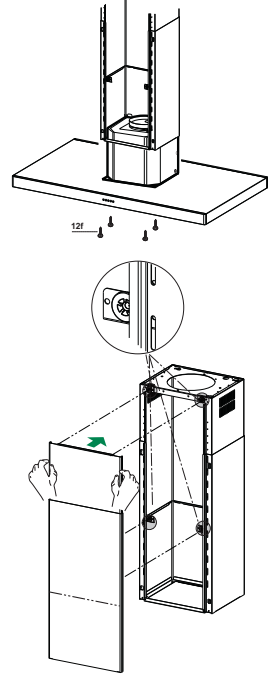
- Novastick Bant **16**'yı Üst Bacanın ön kenarına, Alt Bacanın üst bölümünden başlangıcına kadar uygulayınız.



## Panelin Montajı ve Davlumbaz Gövdesinin Sabitlemesi

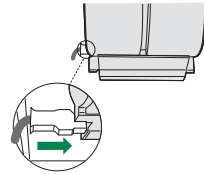
Davlumbaz Gövdesini Kafesli Izgaraya sabitlemeden önce:

- Davlumbaz gövdesinden yağlanmaya karşı filtreleri çıkartın;
- Olası Aktif Karbonlu Kokuya Karşı Filtreleri Çıkartın.
- Donanımda verilen 4 adet **12f** (M6 x 10) vida ile Davlumbaz Gövdesini önceden hazır olan Izgaralı Kafese alttan sabitleyin.
- Devamında, Panel 3'ün üst bölümünü, ölçülü şekilde, Izgaralı Kafesin üst ve alt bölümündeki lastik desteklere tutturunuz.
- Panel 3'ün alt bölümünü metal dilleri ızgara kafesin kılavuzlarına geçene kadar kaydırınız;



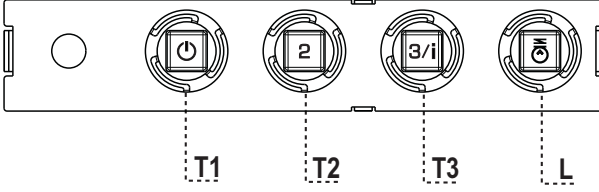
## ELEKTRİK BAĞLANTISI

- Davlumbazı şebeke ceryanına bağlarken aray temas aralığı en az 3 mm olan çift kutuplu bir elektrik anahtarı koyunuz.
- Yağ tutucu filtreleri çıkarınız (bakınız "Bakım" paragrafı) ve besleme kablosu soketinin aspiratör prizine iyice takılmış olduğundan emin olunuz.





# KULLANIM



## Kumanda Tablosu

TUŞ	LED	FONKSİYON
<b>T1</b> Hız	Açık	Birinci hızda motoru çalıştırır. Motoru durduruyor.
<b>T2</b> Hız	Açık	İkinci hızda motoru çalıştırır.
<b>T3</b> Hız	Sabit	Hafifçe basılınca, üçüncü hızda motoru çalıştırır.
	Flaşör	2 saniye süreyle basılınca: 6 dakikaya ayarlanmış dördüncü hızı etkin duruma getirir. Bu sürenin sonunda, ayarlanmış olan bir önceki hıza geri döner. Pişirme anındaki dumanın fazla yayılmasını engellemeye uygundur.
<b>L</b> Işık		Işık tesisatını açıp kapatır.

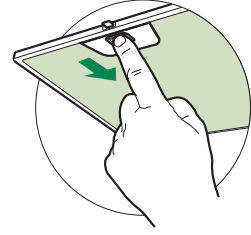
**Dikkat:** T1 tuşu daima ilk hızdan geçerek motoru durdurur.

# BAKIM

## Yağ tutucu filtreler

### METALİK YAĞ TUTUCU FİLTRELERİN TEMİZLENMESİ

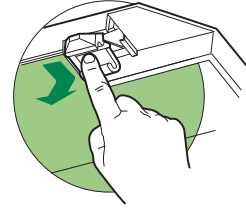
- Bu filtreler bulaşık makinasında da yıkanabilir ve normal kullanıldıklarında iki ayda bir, yoğun kullanım halinde ise daha sıkça yıkanmaları gereklidir.
- Filtreleri, grubun arka tarafından ittirerek ve aynı anda aşağı doğru çekerek tek tek çıkarınız.
- Filtreleri yıkarken eğip katlamayınız, tekrar monte etmeden önce de kurutunuz.
- Monte ederken kulpun görünün dış tarafa doğru gelmesine dikkat ediniz.



## Koku Filtresi (Filtreli Model)

### AKTİF KARBONLU KOKU FİLTRESİNİN DEĞİŞTİRİLMESİ

- Yıkanabilir ya da rejenere edilebilir nitelikte değildir, normalde en az 4 ayda bir, yoğun kullanımda ise daha sıkça değiştirilir.
- Metalik Yağ Filtrelerini çıkarınız.
- Doymuş durumdaki Aktif Karbonlu Koku Filtresini kancalarını serbest bırakarak çıkarınız.
- Yeni filtreyi yuvasına takınız.
- Metalik Yağ Filtrelerini tekrar monte ediniz.



## Aydınlatma

### AMPUL DEĞİŞTİRME

#### 20 W halojen ampuller

- Lamba Destek parçasını sabitleyen iki vidayı söküp, parçayı Davlumbazdan çıkarınız.
- Ampülü Destek parçasından çıkarınız.
- Aynı özelliklere sahip bir yenisi ile değiştiriniz ve iki küçük (iğne) fişinin Destek parçası içindeki yuvalarına iyi oturduğundan emin olunuz.
- Destek parçasını tekrar yerine takıp daha önce sökülen vidaları ile sabitleyiniz.



Ampul	Ampul Gücü (W)	Duy/Soket	Ampul Voltajı (V)	Boyut (mm)	ILCOS Kodu
	28	E14	220 – 240	104 x 35	HSGSB/C/UB-28-220/240-E14
	20	G4	12	33 x 9	HSG/C/UB-20-12-G4
	35	GU10	230	51 x 50,7	HAGS-35-230-GU10-51/40
	50	GU10	230	51 x 50,7	HAGS-35-230-GU10-51/20
	20	GU4	12	40 x 35	HRGS-20-12-GU4-35/30
	20	GU5.3	12	46 x 51	HRGS-20-12-GU5.3-50/10
	16	G13	95	720 x 26	FD--16/40/1B-E--G13--26/720
	18	G13	57	589,8 x 26	FD--18/40/1B-E--G13--26/600
	9	G23	60 (ampul) 220-240 (starter)	167 x 28	FSD-9/27/1B-I-G23
	11	G23	91 (ampul) 220-240 (starter)	235,8 x 28	FSD-11/40/1B-I-G23



Franke S.p.a.  
Via Pignolini,2  
37019 Peschiera del Garda (VR)  
[www.franke.it](http://www.franke.it)

436004895\_ver5 - 160622  
D002964\_00