

EN User manual

DE Bedienungsanleitung

FR Manuel de l'utilisateur

NL Gebruikershandleiding

IT Manuale dell'utente

ES Manual del usuario

6-in-1/5-in-1 electronic filtration system

6-in-1/5-in-1 elektronisches Filtersystem

Système de filtration électronique 6 en 1/5 en 1

6-in-1/5-in-1 elektronisch filtersysteem

Impianto di filtraggio elettronico 6-in-1/5-in-1

Sistema de filtración electrónico 6 en 1/5 en 1



Support and Warranty page

Table of contents

About this manual	4
Safety information	4
Product information	8
Features of the product	8
Overview	10
Franke Mythos Water Hub	12
Tools required for installation	13
Cleanliness and hygiene during installation	13
Installation	14
General points for installation	14
Installation steps	14
Start-up procedure	15
Tap operation	16
Operation of the electronic knob	16
Selection of LED intensity	17
User interface	18
Franke @Home app	19
Troubleshooting	19
Maintenance	21
General maintenance	21
Cleaning	22
Descaling tap aerator	22
Repairs	23
Filter operation and replacement	23
CO₂ cylinder operation and replacement	24
Removal of the product	24
Disposal	25



About this manual

This manual contains important information on the safe and proper installation and commissioning of the product.

FRANKE reserves the right to make modifications to the product without prior notice. All information correct at time of issuance.

- ▶ Carefully read the user manual before using the device.

- ▶ Keep the user manual.
- ▶ Use the device described in this user manual only according to the intended use.

Symbol	Meaning
	Warning symbol. Warning against risks of injury.
	Action step. Specifies an action to be done.

Safety information

Intended use

- Install the product as described in this manual and in accordance with the applicable installation, safety and local water supply regulations!
- The system is designed for indoor use in a private kitchen in households, usually in the kitchen environment. It may also be used in semi-public places, such as a staff kitchen in stores, offices or other business establishments, if the performance limitations are observed.
- The user is responsible for all cleaning and maintenance requirements.
- Any use beyond the intended use is considered misuse.

Unintended use

- The installation of Franke Mythos Water Hub is not permitted:
 - In areas where there is an increased risk of contamination, e.g. in dusty, unventilated or humid environments or in areas around doors and windows.
 - On uneven or sloping surfaces or in the immediate vicinity of toilets.
 - In escape routes.


- Directly next to a heat source e.g. heater (at least 20 cm away) and areas with direct sunlight over a long period of time.
- In places that make cleaning and maintenance of the unit difficult.
- In places without sufficient ventilation.
- Outdoors.

Limitation of liability


- The liability for defects will not cover the usual wear and tear or damages which are caused as a result of faulty or careless handling, overuse, unsuitable equipment, or due to special external influences that do not represent the intended use.
- Furthermore, Franke cannot be held liable for damage or injury resulting from the following:
 - Improper installation.
 - Non-compliance with the instructions and safety information in this manual.
 - Maintenance and/or installation by unqualified personnel.
 - Improper maintenance (especially no regular filter change and cleaning).
 - Unauthorized modifications.
 - Technical modifications.

- Use of spare parts not recommended by the manufacturer.
- Use of additional parts not released by the manufacturer.
- The user is responsible for the proper installation, maintenance and use of the product. The warranty is void if the product and/or electrical components are damaged by improper assembly, improper use or any other kind of misuse.
- Do not use the product for purposes other than those for which it is intended as described in this manual.
- Modifications in or on the device are only permitted by Franke or by qualified personnel trained by Franke.
- To ensure safe operation, use only the spare parts specified by the manufacturer. Otherwise, all warranty and liability claim against the manufacturer will be void.

Safety notes

 **Warning:** There is a CFC-free refrigerant in the cooling circuit of the unit. It is flammable and may leak if the cooling circuit is damaged!

- Make sure that no parts belonging to the cooling circuit are damaged.
- If the coolant circuit should ever be damaged, avoid open fire and ignition sources and ensure good ventilation.
- Do not connect a defective unit to the mains.

 **Warning:** There is a danger to life due to suffocation if CO₂ is inhaled!

- The minimum room size in which the system is installed must be at least 5 m². If the room has a ceiling height of less than 2 m, this value increases.
- If larger cylinders are used, the free floor space must be matched proportionately to the volume.
- The use of an external CO₂ cylinder is in the responsibility of the user.

 **Warning:** Live parts inside the device!

- The device may only be opened by trained and qualified personnel.
- Install the product as described in this manual and in accordance with the applicable installation, safety and local water supply regulations.


- This appliance is not intended for use by persons (including children) with reduced physical, sensory, or mental capabilities unless they are supervised or instructed in its use by a person responsible for their safety.
- This appliance can be used by children aged from 8 years and above and persons with reduced physical, sensory or mental capabilities or lack of experience and knowledge if they have been given supervision or instruction concerning use of the appliance in a safe way and understand the hazards involved. Cleaning and user maintenance shall not be made by children without supervision.
- Children should be supervised to ensure that they do not play with the appliance.
- Keep the plug and the cable out of the reach of children.
- People who are not yet familiar with Franke Mythos Water Hub must be instructed how to use it safely and be informed of the potential hazards especially associated with the use of the boiling water tap.
- For immunocompromised persons or babies, it is generally recommended to boil the water. When using a filter with decalcification (Pro M Connect filter), the water in the filter will be enriched with sodium and may cause problems for sodium-sensitive persons or babies. If necessary or in doubt, contact a physician or customer service.


- Restrictions of use for vulnerable individuals: According to the recommendations of the German Society for Hospital Hygiene and the Robert Koch Institute, drinking water from water dispensers is not recommended in health care facilities and nursing homes for the elderly, due to possible immune deficiencies of the patients caused by illness, therapy or age. Likewise, the consumption of tap water and thus also the use of water from drinking water dispensers is generally to be avoided for persons with immune deficiency.
- The device is designed for indoor operation in a closed room (usually a kitchen), e.g. below a sink. It may only be connected to a water supply with constant drinking water quality according to local specifications. In drinking water systems with pressure rinsers, pressure variations can lead to problems with the outflow pressure.
- The device may only be connected to a GFCI-protected mains connection.
- Always use the hose set delivered with the device. The current one, available in the installation, cannot be reused.
- In the event of adverse changes to the water quality within the domestic installation due to construction work in the building, it must be ensured that the unit is cleaned and disinfected by the user before recommissioning. Any debris (e.g. rust particles) from the water line may harm the function of the unit and must be avoided.
- At the installation location, Franke Mythos Water Hub, shall be protected from mechanical damage, heat and direct sunlight, open flames and the danger of frost.
- The device shall be placed in an upright position.
- Connect the plug to a socket complying with current regulation, located in an accessible place.
- An electrician should check the house installation before adding a multiple plug.
- For Class I appliances, check that the domestic power supply guarantees adequate earthing.
- The device requires a permanent air exchange to ensure that the installation site cannot heat up due to the warm exhaust air. An opening in the rear panel of the cabinet or a similar opening in the base plate must be provided.
- The power cable shall be laid in such a way that no damage can occur. If the cable or the plug is damaged, it must be replaced by a specialist. If the signal cable to the tap is damaged, the complete tap must be replaced.
- A damaged power cable must be replaced with an identical one by Franke or by qualified personnel trained by Franke.
- Check the hose supply lines to the tap and the device once a year. A leak at those points will immediately lead to water damage. If necessary, contact the customer service.
- All standard CO₂ cylinders without additional flavor with a volume of 425 g and a trapezoidal thread (TR 21×4) may be used in the unit. The actual sealing surface of the CO₂ cylinder should be clean and free of any scratches or dents. When screwing in the cylinder, always ensure that it is fitted tightly. When screwing in, there may be a slight hissing sound and a small amount of CO₂ may escape, which is normal.
- CO₂ cylinders are under pressure. Protect them from over heating by direct sunlight or other heat sources. Store the CO₂ cylinder in an environment where heating of the cylinders cannot occur. In case of

using an external CO₂ cylinder, the instructions of the supplier shall be strictly followed. The CO₂ cylinder should never be laid down horizontally.

- If CO₂ escapes into the room, ventilate the room, and leave it for some time to ensure a sufficient supply of fresh air. Even the total amount inside of a 425 g cylinder is not sufficient to reach lifethreatening concentrations in the air if it escapes.
- If you transport the unit, the CO₂ cylinder shall be uninstalled.
- Do not use osmosis water or highly filtered water in the system. It can lead to problems in the level control.
- It is not permitted to operate Franke Mythos Water Hub without a connect filter.


If Franke Mythos Water Hub is connected to a water supply with a water softener and the water hardness is below 7 °dKH a freshwater filter (Franke Clear Water Connect filter) could be used instead of a standard filter with decalcification (Franke Pro M Connect filter).

 **Caution:** Never use serrated tools in order to avoid damage. Where necessary, always use the appropriate tools for tightening the coupling.


 Always keep safety tags and notes on the product in a legible condition. Replace damaged safety tags and notes immediately!

- At the installation location, Franke Mythos Water Hub must be protected from mechanical damage, heat and direct sunlight, open flames and the danger of frost.
- As a result of the ongoing improvement of our products and/or systems, illustrations in this document may differ from the appliance as delivered.
- If available, you can download the latest version of the manual via our website: **www.franke.com**

Filter cartridge

 The use of a Franke filter is mandatory to protect the product against limescale deposits. It is mandatory to change the filter based on the water hardness table.

- After storage at a temperature of 0 °C, the filter must first be stored for 24 hours at room temperature before it is installed.
- The filter cartridge must not be opened or damaged.
- The filter cartridge and the system must be intensively flushed after a prolonged standstill period and/or during maintenance work (2 liters of flushing water after 1 week standstill; 10 liters of flushing water after 4 weeks' standstill).

 The filter cartridge must be replaced if, after commissioning, it has not been in operation for 3 months.

Declaration of Conformity

The manufacturer declares that this device with wireless radio functionality complies with Directive 2014/53/EU.

The complete text of the EU declaration of conformity is available at the following link by searching for the product code:

<https://www.franke.com/en/product-documentation/>

This code can be found on the label located inside the product.

Frequency bands	Maximum transmitted power
2.4 GHz	100 mW max.

PSTI Statement of Compliance

The manufacturer declares that this product is compliant with the applicable security requirements in Schedule 1 of The Product Security and Telecommunications Infrastructure (Security Requirements for Relevant Connectable Products)

Regulations 2023 (“Security Requirements”).

The Statement of Compliance (SOC) can be found at the following link:

<https://catalog.franke.com/franke/psti/water-hub/>



Ambient conditions

The device may only be connected to a water supply with constant drinking water quality according to local specifications and a constant flow pressure between 1 and 10 Pa at a water temperature of 5 °C to 30 °C. The ambient temperature must be between 10 °C and 32 °C (climate rating: SN) with a relative air humidity of max. 75% and a max. installation altitude of 2000 m above sea level.

Warranty

Scan the QR code to reach the Warranty guidelines:



Product information

Franke Mythos Water Hub Sparkling can filter, cool and carbonize tap water. It offers the option of filtered, chilled and carbonated water from a single tap. Mythos Water Hub All-in-One can furthermore boil tap water. It offers the option of filtered, boiling, chilled and carbonated water from a single tap.

Features of the product

Filter

To ensure good water quality and to protect the product against limescale deposits, a filter must be connected to Franke Mythos Water Hub. The filter reduces unwanted flavor carriers and impurities in drinking water before it is dispensed by means of a flow-through process. The filter material binds heavy metal ions such as lead, copper and cadmium. The integrated activated carbon reduces unwanted turbidity, organic impurities, odors and flavors as well as chlorine residues in the filtrate. Depending on the mineralization and hardness degree of local tap water, a different kind of filter should be used.

Capacity

Franke Mythos Water Hub is equipped with a 425 g CO₂ cylinder that delivers approximately 60 liters of carbonated water. Optionally, an external CO₂

cylinder can be added for higher demands. In that case the pressure reducer of the external CO₂ cylinder has to be adjusted to 5 bar. The input pressure on the unit should never exceed 6 bar. The reservoir of the unit holds 2.2 liters of chilled water, 0.6 liters of carbonated water and an additional 4 liters of pressurized boiled water. The flow rate varies, depending on the water supply pressure and the type of tap. When chilled or carbonated water is dispensed, Franke Mythos Water Hub immediately refills with cold tap water.

Cooling method

The temperature of the carbonated water depends on the temperature of cooled water in the reservoir. The temperature range of chilled and carbonated water is internally adjusted on the optimal temperature set.

Boiling method (only for Franke Mythos Water Hub All-in-One system)

The temperature range of boiling water can be adjusted between 80, 90 to 100 °C. For higher output quantities, the hot water temperature will be lower while cold water flows into the boiler during the process of drawing water and begins to mix with the hot water.



Franke Mythos Water Hub does not have a separate boiling water outlet for connecting a mixing valve. If the house installation does not have a hot main water supply that can be directly connected to the tap, it is not possible to draw hot water by adjusting the single-lever mixer on the tap. Alternatively, the temperature of the boiling water can be set between 80, 90 and 100 °C using the app.

Carbonation

The CO₂ content of the carbonated water is approx. 5.0 to 5.5 g/l in optimal conditions. This value cannot be adjusted but a mixing with chilled water is possible to reach a lower degree of carbonation. After the withdrawal of carbonated water, there is a short follow-up run of chilled still water to flush the remaining CO₂ out of the line. This function prevents the tap from dripping which is caused physically due to the expansion of CO₂.

Holiday mode

A holiday mode can be activated (see section 6.2). Therefore, the device reduces the boiling temperature to 60 °C and the temperature of the chilled and carbonated water to 15 °C.

Note: The taste and appearance of conditioned water is dependent on many factors e.g. the mineralization and hardness degree of local tap water.

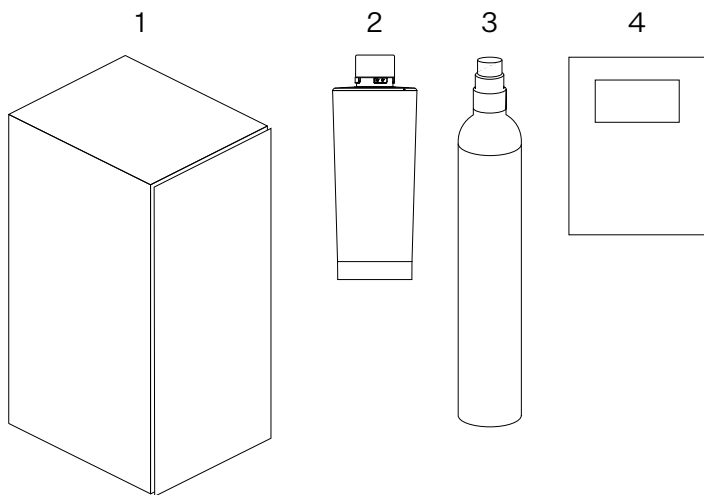
Note: Some tap dripping is normal, especially together with carbonated water.

Note: If you are on vacation for more than two weeks, it is recommended to switch off the unit. This is done via unplugging the device or switching it to holiday mode.

Note: If no conditioned water is dispensed for approximately 14 days, we recommend flushing all conditioned water options (filtered, filtered /chilled, filtered / chilled / carbonated, filtered / boiling) for one minute each. This will refill the reservoir with fresh water and ensure optimal water quality.

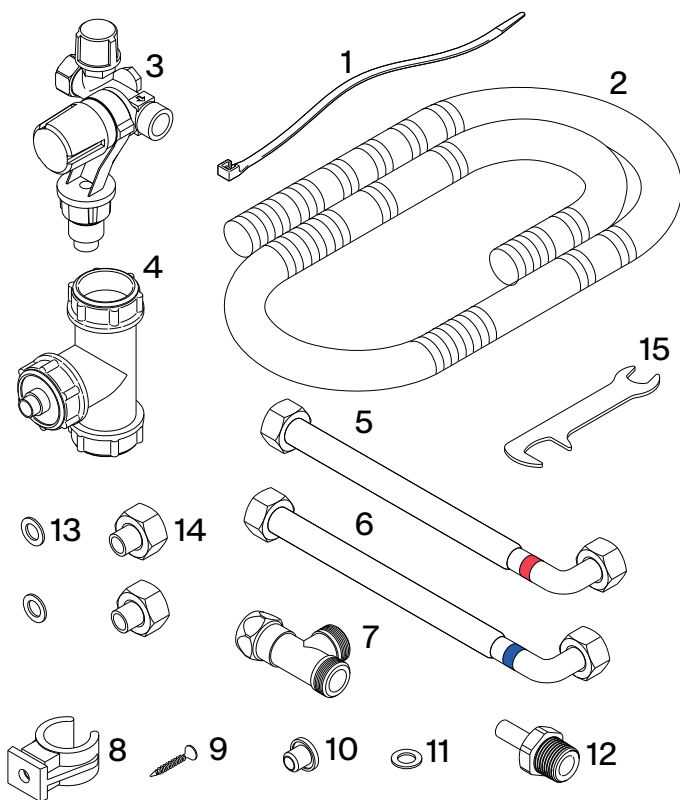
Overview

The package of Franke Mythos Water Hub contains the following components:



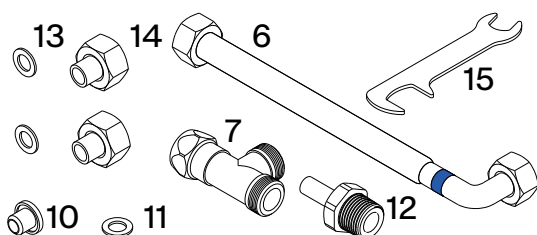
1. Device
2. Water filter cartridge
3. CO₂ cylinder
4. Installation kit

Mythos Water Hub All-in-One - content

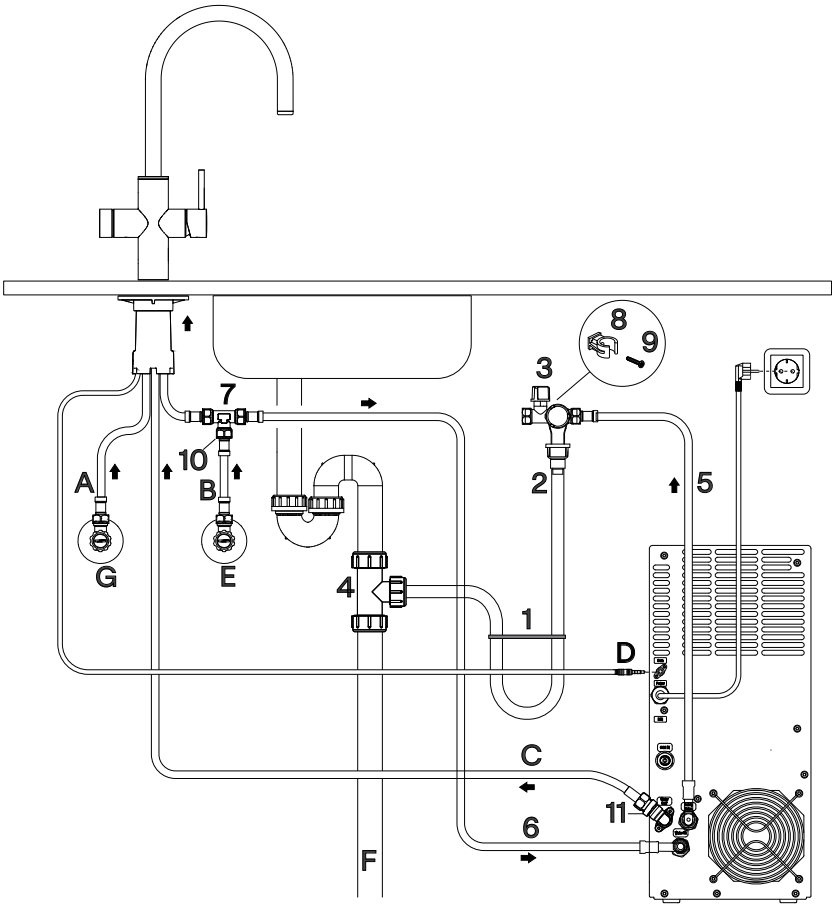


1. Tie-wrap
2. Expansion water hose
3. Safety valve flat in/out
4. T-Joint drain
5. Flexible water hose (red tag, 1 m, M15, G1/2'')
6. Flexible water hose (blue tag, 1 m, G3/8'', G3/8'')
7. T-Piece 3/8''
8. Clamp 20/22 mm
9. Clipboard screw 4 x 25 pc.
10. Hat filter metal EU
11. Flat gasket G3/8''
12. Stem adapter ASA 0806M
13. Flat gasket G1/2'' (only for UK version)
14. Adapter 1/2''F - 3/8''M (only for UK version)
15. Sheet metal open-end wrench 20/13 mm

Mythos Water Hub Sparkling - content



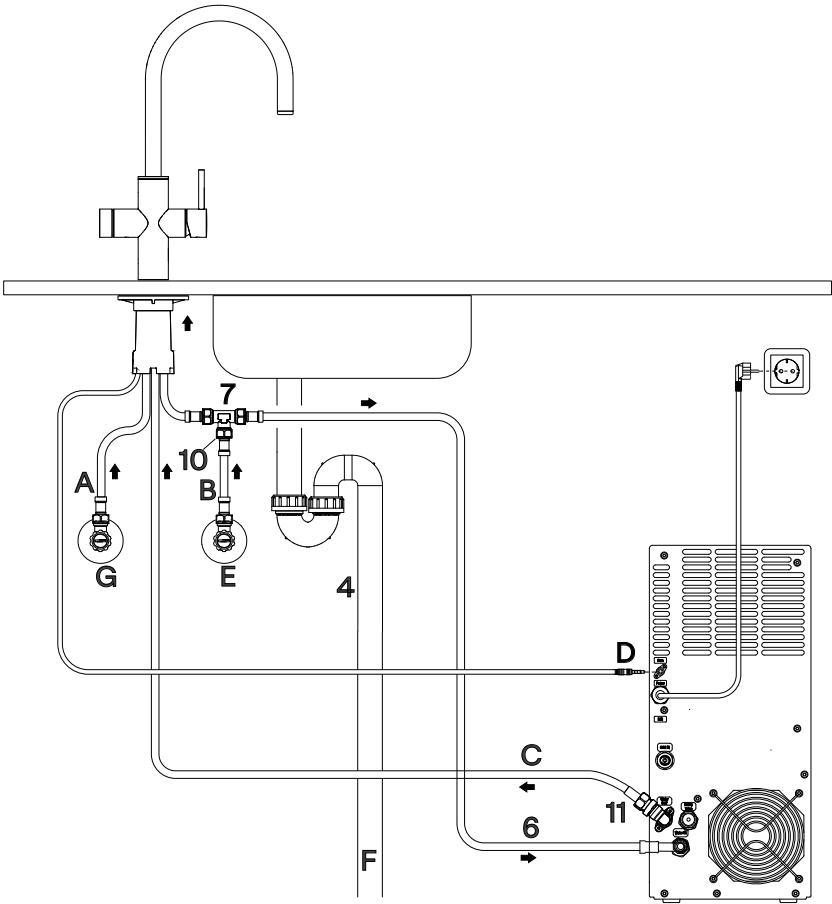
Mythos Water Hub All-in-One



- A Tap hot water
- B Tap cold water
- C Tap conditioned water
- D Communication cable
- E Cold water house installation
- F Drain house installation
- G Hot water house installation

- 1. Tie-wrap
- 2. Expansion water hose
- 3. Safety valve flat in/out
- 4. T-joint drain
- 5. Flexible water hose (red tag, 1 m, M15, G1/2'')
- 6. Flexible water hose (blue tag, 1 m, G3/8'', G3/8'')
- 7. T-Piece 3/8''
- 8. Clamp 20/22 mm
- 9. Clipboard screw 4 x 25 pc.
- 10. Hat filter metal EU
- 11. Stem adapter ASA 0806M

Mythos Water Hub Sparkling



Franke Mythos Water Hub

Franke Mythos Water Hub can only be connected to designated electronic taps from Franke with a compatible software version. Check the details in the "Installation manual", page 6.

Connections

For the installation of Franke Mythos Water Hub, a mains water connection and a GFCI-protected separate power circuit with a suitable mains connection fused by at least 10 A and a permanent voltage supply of 220-240 VAC / 50 Hz are necessary. Angle valves must already be installed.

General specifications

Dispensing water types	Filtered chilled water
	Filtered carbonated water
	Filtered ambient water
	Filtered boiling water
Operation	Operation via electronic tap
Parametrization	Parametrization via app (BLE)
Minimum installation dimensions	Height > 440 mm
	Width > 200 mm
	Depth ≥ 550 mm
Weight netto (empty)	20 kg
Weight netto (filled)	27 kg
Supply voltage	220-240 VAC / 50 Hz
Load	7.5 A
Plug	EU-version = Type 303A acc. to CEE7 UK version = Type G / BS 1363 British 3 Pins
Max. power consumption	All in One: 1725 W (±10%)
	Sparkling: 230 W
Standby power consumption	All in One: 19 W (cooling & boiling on)
	Sparkling: 5.5 W (cooling on)
Sound pressure level (free- standing)	37 ± 4 dB in operation mode 0 dB in standby mode
IP rating	IPx1
Certifications	CE-UKCA

Filtered chilled water

Volume of reservoir	2.2 l
Cooling principle	Tank-in tank setup
Temperature control range	approx. 4-10 °C, not adjustable
Flow rate w/o compensator	approx. 2.5 l/min @ 3 bar
Cooling time	ΔT = 10 K in 8 minutes (from 20°C to 10°C) (25 °C to 5 °C: approx. 35 minutes)

Filtered carbonated water

Volume of reservoir	0.6 l
Cooling principle	Tank-in tank setup
Carbonation	Carbonation system with injection Booster Pump
Temperature control range	approx. 4-10 °C, not adjustable
Flow rate	approx. 2 l/min @ 3 bar
Carbonation level	approx. CO ₂ content 5.0-5.5 g/l

Filtered boiling water (only All-in-One)

Volume of reservoir	4.0 l, pressurized boiler
Temperature control range	80/90/100 °C, adjustable via app
Flow rate	approx. 2 l/min @ 3 bar
Boiling time	15 °C to 100 °C: approx. 15 minutes
Water heating energy efficiency class	A

Filter (check the instruction manual included)

Filter type	Protection Filter (Franke Pro M Connect filter or Franke Clear Water connect filter)
Diameter filter cartridge	95 mm
Height filter cartridge	245 mm
Filter head	Bayonet
Filter capacity	approx. 1700 liter at 10 °dH

Tools required for installation

- 1 × wrench size 24 mm,
- 1 × wrench size 22 mm,
- 1 × wrench size 20 mm,
- 1 × wrench size 19 mm,
- 1 × wrench size 13 mm,
- carpet knife,
- crosshead screwdriver (or screwdriver & PZ bit),
- handsaw,
- tape measure,
- pencil.

Depending on the existing infrastructure additional tools may be required, e.g. slotted screwdriver for corner valve.



Never use serrated tools in order to avoid damage. Where necessary, always use the appropriate tools for tightening the coupling.

Cleanliness and hygiene during installation

Contamination of water-bearing parts (e.g. seals, hose connections, threads, etc.) must be strictly avoided during installation. We recommend thorough hand cleaning and avoiding skin contact with surfaces that will later be in contact with drinking water.

Installation

General points for installation

Placement of Franke Mythos Water Hub

Ensure sufficient space in the kitchen cabinet and easy accessibility for service and maintenance work. There must be enough space at the back of the unit for the warm air from the exhaust to escape (min. 5-10 cm). Therefore, Franke recommends a depths of min. 550 mm, a width of min. 200 mm and a height of min. 440 mm for the cabinet.

Ventilation of the kitchen cabinet

For a good performance of Franke Mythos Water Hub, the kitchen cabinet in which the unit is installed must be sufficiently ventilated. Therefore, an opening of approx. 20 × 40 cm (800 cm²) in the rear panel of the cabinet or similar openings in the base plate with at least 5 cm clearance to the floor and at the sides must be provided.

We recommend installing Franke Mythos Water Hub in the following order:

1. Prepare the installation.
2. Install the safety valve (only for All in One unit).
3. Connect the water supply.
4. Connect device.



Install the pressure relief valve as high as possible in the kitchen cabinet (only for All-in-One unit).



During installation, tight each connection carefully.

Installation steps



When transporting Franke Mythos Water Hub to the installation site, cooling fluid may have run into the lines. To ensure that the cooling fluid has run back, the device may only be switched on following a pause of at least 2 hours.

Notice: The installation can be prepared, but the power supply for the device must not be switched on at this stage.

Check the details in the "Installation manual", pages 3-10.

Prepare the installation (only for All in One unit) ("Installation manual", pages 3-6)

1. Check if all installation requirements are fulfilled e.g. space, connections etc.
2. Turn off the mains water supply and close the angle valves. If not available, mark the existing cold and hot water connection.
3. Install tap.

Install the safety valve (only for All in One unit) ("Installation manual", pages 6-7)

1. The shut-off cock of the safety valve (3) must be closed. Check by turning the cock to the right. The expansion relief valve of the safety group is factory calibrated to 8 bar.
Notice: For safety reasons, water may escape from the blow-off line when heating up during operation.
2. Connect the flexible water hose (5, red tag) to the safety valve (3).
Notice: Install the safety group against the flow direction indicated by the arrow on the backside of the safety group.
3. Connect the expansion water hose (2) to the safety valve (3).
Notice: Ensure that the hose is fully inserted and that there is no gap between the safety valve and the hose from which water can leak.
4. Mount the safety valve (3) at the highest point below the deck in the cabinet and screw in the clipboard screws (9).
Notice: The safety valve (3) must be positioned clearly above the connection to the drain. This ensures that the water flows only into the drain and not back to the safety group. The distance to the unit must be < 1 m to use the enclosed flexible water hose.
5. Connect the T-join drain (4) to the drain. Connect the other end of the expansion water hose (2) to the T-joint drain (4).
Notice: The drain of the safety valve needs to be placed after the syphon. If necessary, the expansion water hose can be shortened with a knife. Make sure the cut edge is straight. Ensure that the hose is fully inserted.
Notice: Form a water lock with the expansion water hose (2) and secure it with the tie-wrap (1).

Connect the water supply ("Installation manual", pages 7-8)

1. Connect the T-piece (7) and hat filter (10) to the cold water installation (E) and cold water connection (B).
For UK: connect the adapter (18-19) between cold water installation (E) and T-piece (7).
Notice: It is extremely important to install the hat filter.
2. Connect the flexible water hose (6, blue tag) to the T-piece (7).
3. Connect the hot water connection (A) of the tap to the hot water installation (G).
For UK: connect the adapter (18-19) between cold water installation (E) and T-piece (7).
4. Connect the unit connection (C) of the tap to the stem adapter (11).

Connect Franke Mythos Water Hub ("Installation manual", page 8)

1. Connect the flexible water hose (6, blue tag) to the unit ("Water IN" connection).
2. Connect the flexible water hose (5, red tag) to the unit ("Safety Valve" connection).
Notice: Make sure that the hose is not blocking any other connection.
3. Connect the stem adapter (11) to the unit ("Water OUT" connection).
Notice: Make sure that the hose is not blocking any other connection.
4. Connect the communication cable (D) of the tap to the unit ("Com" connection).
Notice: Make sure that the plug is fully inserted.
Notice: Check that there is enough room for all the components and make sure that the hoses are not bent, twisted or pulled tight. They should be routed without kinks. Do not place multiple socket outlets or portable power supplies at the rear of the unit.

Filter installation ("Installation manual", pages 9-10)

1. Remove the front cover.
2. To remove the cleaning cup tilt the filter head forward and turn the cleaning cup by approx. 90 degrees to the left.
Notice: The cleaning cup is required for the regular cleaning procedure and shall be kept.
3. Insert the filter cartridge into the filter head and turn the filter cartridge by approx. 90 degrees to the right until it cannot be tightened any further. Tilt the filter head backwards.

4. Do not install the CO₂ cylinder yet.
5. Turn on the mains water supply, open the angle valves and check the installation for seal integrity. Water must not leak from any point.

Note: It is recommended to use only filter with RFID tag (i.e. Pro M Connect filter) otherwise the device will stop working.

Start-up procedure



During the start-up, Franke Mythos Water Hub must be flushed once; this is done automatically during the process.

To prepare the unit for use, the start-up is recommended in the following order:

1. Make sure that the tap is correctly aligned above the sink.
2. Check the cold and warm water connection with the manual handle to make sure that the water supply is working.
3. Plug in the power cord.
Notice: Make sure that the power cord is not bent, trapped or damaged.
4. The first start-up process takes approx. 20 seconds.
Notice: Do not interrupt the process by pressing any button or unplugging the device.
5. After the device starts up, the LEDs on the tap will light up.
Press the Reset / Standby button on the unit briefly (<2 s) to run the first flushing program.
6. The first flushing program takes approx. 5-6 minutes.
Notice: Do not interrupt the process by pressing any button or unplugging the device. Otherwise, a full restart is required. The device must be unplugged and the process must be restarted from step 3.
7. After the first flushing program, the LEDs on the knob will light up.
Notice: The tap must already be filled with water, i.e. the initial flushing must have been completed before you activate the CO₂ supply.

CO₂ cylinder installation ("Installation manual", page 12)

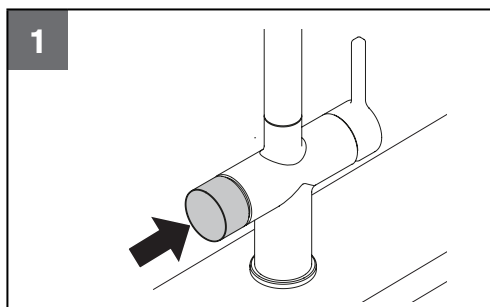
1. Remove the protective cap from the CO₂ cylinder, tilt the CO₂ connection forward and screw the CO₂ cylinder into the CO₂ pressure reducing valve by turning it to the right until it cannot be tightened any further. Tilt the CO₂ connection backwards.
Notice: The CO₂ cylinder must be thoroughly tightened so that a tight seal is formed. Some gas may escape, and a hissing noise may be heard. Keep tightening, until it can not get any further. No more gas should be heard escaping.

2. After the CO₂ cylinder is assembled, the LEDs on the user interface will light up switching from red to green.
3. Install the front cover.
4. The unit cools down and heats up for approx. 25 minutes, after which the device is ready for use.
Notice: The final carbonation quality will be established after using the product for a few days.

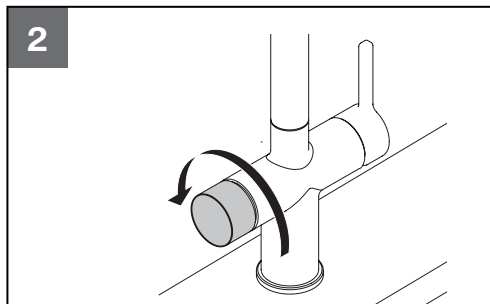
Tap operation

Operation of the electronic knob

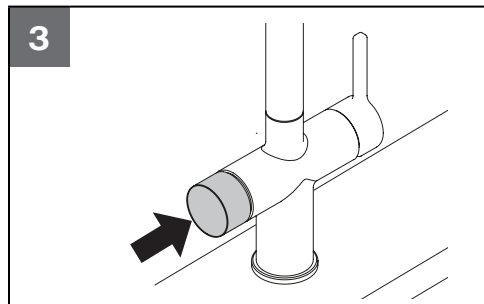
- ▶ The electric knob in standby mode doesn't react on rotary movement.
- ▶ To activate the electronic knob press briefly 1x (fig. 1).



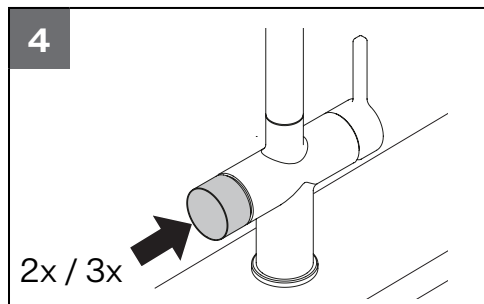
- ▶ Turn forward or backward the electronic knob to choose desired kind of water - LED color is changing with the move (fig. 2).



- ▶ For continuous flow of chosen water hold electronic knob pressed (fig. 3).
Deactivation: Release the knob.



- ▶ For chosen amount of water 0.5, 1 or 2 liters press briefly the electronic knob according to the information in the table below (fig. 4).
Deactivation: Press briefly 1x.



- ▶ Hold the object to be filled close to the tap so that the object surrounds the delivery opening of the tap. This will prevent water from splashing.

LED color	Function	Operation				LED display
		Press	Press and hold	Press 2x	Press 3x	
White	Standby mode*	Activate knob by pressing 1x LED			-	Lights
Red	Boiling water		Continuous water flow until releasing the knob	1 l water output (interruption by additional press)	2 l water output (interruption by additional press)	
Blue	Cold filtered water					Running
Turquoise	Filtered water					
Green	Cold "sparkling" water		Continuous water flow until releasing the knob	0.5 l water output (interruption by additional press)	1 l water output (interruption by additional press)	
Light green	Cold "sparkling" water "medium" adjustable via app					

*No function with rotary movement

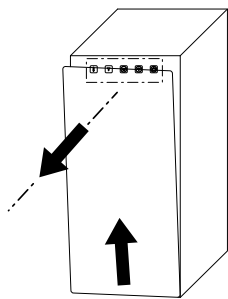
Selection of LED intensity

After 60 seconds of not using the tap it will switch automatically into the sleeping mode status, 50% LED intensity.

To change the sleeping mode setting you have to follow the below instruction.

1. Activate the tap by pressing the electronic knob once.
2. Press the electronic knob 5 times.
3. The LED start flashing.
4. Turn the knob to the preferred setting by turning the knob forward or backwards:
 1. 50% intensity, default,
 2. 10% intensity,
 3. Switched off fully.
5. Press and hold the electronic knob for 2 seconds to confirm. LED flashes 3 times for confirmation.

User interface



- A. CO₂-level
- B. Filter runtime
- C. Cleaning
- D. Connectivity
- E. Reset / Holiday mode



CO₂-level

Status LED	Meaning
Constant: Green	CO ₂ > 3 bar
Flashing: Red	CO ₂ < 3 bar / CO ₂ cylinder empty



Filter runtime

(only for filters with RFID tag)

Status LED	Meaning
Constant: Green	Remaining filter time > 10%
Flashing: Red	Remaining filter time ≤ 10%
Constant: Red	Remaining filter time ≤ 0% or last filter change > 6-12 months depending on water hardness i.e. filter change required



Cleaning

Status LED	Meaning
Constant: Green	No cleaning required
Flashing: Red	Cleaning required if last cleaning > 6 months
Flashing: Blue (countdown)	Cleaning process running

To start the cleaning program, press the button for 5 seconds.



Connectivity

Status LED	Meaning
Constant: White	Connection active
Flashing: Blue	Connection pairing mode

Franke Mythos Water Hub can be connected to the Franke @Home mobile app.

- ▶ For the first connection to the mobile app, press the button for 5 seconds until all LEDs are flashing blue and follow the instructions of the app.



Reset / Holiday mode

Status LED	Meaning
Constant: Green	Operation mode active
Flashing: Green	Device restarts
Flashing: Red	Holiday mode activated

- ▶ To reset / restart the unit, press the button for 5 seconds.
- ▶ To start the holiday mode, press the button briefly for less than 2 seconds.
- ▶ To wake up the unit from holiday mode, press any button.



In the event of an error, all buttons flash red.

Disconnect the power supply for at least 10 seconds and restart the device. If that does not help, please contact the customer service.

Franke @Home app

With the Franke @Home app it is possible to monitor the status of the Franke Mythos Water Hub and customize the operating parameters (e.g. the temperature of boiling water).

App Store



Google Play



Troubleshooting

Fault	Possible Cause	Solution
Water leakage at the tap connection	Connecting pipe of cold/hot water loose.	Tighten with an open-jaw spanner.
	Connecting pipe of cold/hot water union seal faulty or damaged.	Replace the seal.
Water leakage at the connection to the drain	Too little insertion depth or the pipe has not been cut straight.	Check the insertion depth of the hose and the cutting edge.
	Angled installation of the safety valve.	Check that the safety valve is installed horizontally and there is no gap to the drain hose.
Water leakage at the connections of the device	Connecting pipe of cold/hot/conditioned water loose.	Tighten with an open-jaw spanner.
	Connecting pipe of cold/hot/conditioned water union seal faulty or damaged.	Replace the seal.
Water leakage at a hose	Brittle or broken hose.	Replace the leaking hose.
Water leakage in the device	Leakage in the device.	Unplug the device and contact customer service.
The safety valve leaks	Expansion during water heating.	No failure, normal functioning.
	Continuous dropping due to dirt.	Manually operate the knob on the expansion relief valve to eliminate dirt particles.
		Replace the safety valve.
Hissing noises from the unit	The CO ₂ cylinder is not correctly tighten.	Rotate the CO ₂ cylinder to the right with decent force until it cannot be tightened any further.
		Use a new CO ₂ cylinder as the sealing surface might be damaged.
	The internal pressure reducer is faulty or damaged.	Contact customer service.

Fault	Possible Cause	Solution	
Tap supplies no water	The angle valves of the water supply installation are closed.	Open the angle valves, check the working of the hot and cold water.	
	The main water valve is closed.	Open the main water valve.	
	Hoses are kinked.	Straighten the kinked hoses.	
	Tap is clogged.	Inspect the tap and clean the aerator.	
Filtered, chilled, carbonated, boiling water cannot be drawn	Filter not installed correctly.	Rotate the filter cartridge to the right with decent force until it cannot be tightened any further.	
	No connection between the tap and the device.	Plug in the cable connector of the communication cable securely.	
	The installation kit is installed incorrectly.	Check the correct installation of the installation kit.	
Boiling water can not be drawn	Device was used without filter in areas with high content of lime in drinking water.	Contact customer service.	
	The boiler is faulty.	Contact customer service.	
CO ₂ is drawn out of the tap instead of water	The high-pressure pump is faulty.	Contact customer service.	
The drawn water contains no or little CO ₂	The CO ₂ cylinder is empty or not connected.	Replace or correctly connect the CO ₂ cylinder.	
		Drain about 1 liter of sparkling water if the CO ₂ cylinder was empty before.	
		Check the connecting hoses for correct installation.	
		If an external CO ₂ cylinder is used, the pressure reducer must be adjusted to 5 bar.	
		Use only standard CO ₂ cylinders with 425 g and a trapezoidal thread (TR 21×4).	
		The water is not cooled sufficiently and therefore cannot absorb enough CO ₂ .	Wait until the cooling unit has cooled the water to a sufficient level.
		The pressure reducer in the device is faulty.	Contact customer service.
The drawn chilled and carbonated water is too hot	A lot of water was drawn within a very short time.	Wait until the cooling unit has cooled the water to a sufficient level.	
	The cooling is faulty (compressor is not running).	Contact customer service.	
	Overheating of the device.	Ensure sufficient ventilation in the cabin and reduce ambient temperature.	


Fault	Possible Cause	Solution
The device operates with less performance	The hot water mains connection is used for the water inlet of the device.	Ensure that the cold water mains connection is used for the inlet of the device.
The device cannot be switched on	The mains plug is not inserted.	Insert the mains plug into a GFCI-protected wall plug socket.
	The mains plug or cable is damaged or defective.	Contact customer service.
	No power supply.	Check the socket fuse, if any, and the GFCI. Contact your electrical system installer.
	Leakage sensor active.	Unplug the device and contact customer service.
	Software problem.	Disconnect the power supply for at least 10 sec and restart the device.
	Short-circuit in the device.	Unplug the device and contact customer service.
The cleaning process is not running	Cleaning cup not installed correctly.	Rotate the cleaning cup to the right with decent force until it cannot be tightened any further.
The device cannot connect to the app	Connectivity on the device is deactivated.	Activate the connection.
The device shows an unknown color code	Failure of the device.	Disconnect the power supply for at least 10 sec and restart the device.
		Contact customer service.

If you can't manage your malfunction or defect please contact the Franke service desk, installer or retailer.

Maintenance

General maintenance

- ▶ Clean the tap only with Franke tap cleaner. Visit our Franke webshop.

 **Do not use** cleaning agents containing a solvent or acid, such as lime scale removers, household vinegar or cleaning agents with acetic acid. These substances damage the surface. The tap will become matt and scratched.

- ▶ Limescale deposits can be prevented by drying the tap after use.
- ▶ If limescale deposits occur, remove these using a citric acid-based cleaning agent.
- ▶ Always use original Franke parts for maintenance or repair. This guarantees the safety and proper function of the product and safeguards any warranty claims.
- ▶ Replacement or repair of parts may only be carried out by Franke Service.

Cleaning


For hygienic and health reasons, the Franke Mythos Water Hub must be cleaned every 6 months. We recommend the cleaning of the unit in the following order:

1. Make sure that the tap is correctly aligned above the sink during the cleaning process.
2. Remove the front cover.
3. If a cleaning process is required, the LEDs on the user interface will light up.
4. Tilt the filter head forward, turn the filter cartridge by approx. 90 degrees to the left and pull it down. This will unlock it from the filter head and enable it to be removed.

Notice: During this process, incoming tap water supply and outgoing filtered water valves in the filter head shut-off automatically. It may happen that a small amount of expansion water leaks from the filter head due to peaks in pressure. Please keep this in mind and place a suitable container underneath the filter head.


5. Insert one cleaning tablet (Franke recommend to use "Bevi Tab Aqua", aqua cleaning tablets) into the cleaning cup.

Notice: Using alternate cleaning tablets may result in the device not being cleaned properly.

6. Insert the cleaning cup into the filter head and turn the cleaning cup by approx. 90 degrees to the right until it cannot be tightened any further. Tilt the filter head backwards.
7. Press the Cleaning button (C)  on the unit for 5 seconds until the LED (C) is flashing blue to run the cleaning program.

8. The cleaning program takes approx. 75 minutes. In the meantime, a countdown will be visible on the user interface. First, all LEDs light up blue and then gradually switch off one by one.

Notice: Do not interrupt the process by pressing any button or unplugging the device. Otherwise the process will break off. To make the unit ready for use again, a 40-minute rinsing program must be started. To do this, press the Cleaning button (C)

. The three buttons on the right-hand side start to flash blue. When the process is complete, all LEDs light up.

Before flushing process, remove the cleaning cup and insert a filter cartridge (new or a used one with remaining filter validity).

9. After the cleaning program, the LEDs on the user interface will light up.

10. Tilt the filter head forward, turn the cleaning cup by approx. 90 degrees to the left and pull it down. This will unlock it from the filter head and enable it to be removed.

Notice: During this process, incoming tap water supply and outgoing filtered water valves in the filter head shut-off automatically. It may happen that a small amount of expansion water leaks from the filter head due to peaks in pressure. Keep this in mind and place a suitable container underneath the filter head.

Notice: The cleaning cup is required for the regular cleaning procedure and shall be kept.

11. Insert the filter cartridge (new or a used one with remaining filter validity) into the filter head and turn the filter cartridge by approx. 90 degrees to the right until it cannot be tightened any further. Tilt the filter head backwards.
12. After a valid filter cartridge is inserted, press the filter button (B) on the unit briefly (<2 s). The LEDs on the user interface will light up.
13. Install the front cover.



It is recommended to clean the ventilator fan of the unit once a year with a brush or a vacuum cleaner.

Descaling tap aerator

Always use a citric acid-based descaling agent. Other substances will damage the material!

Loosening and tightening can be made easier by wrapping an elastic band around the sleeve of the tap aerator. Take care that the sleeve of the tap aerator is not damaged by the use of tools.

Limescale deposits will appear on and alongside the tap aerator.

- ▶ Unscrew the sleeve of the tap aerator.
- ▶ Clean the tap aerator using a suitable descaling agent.
- ▶ Place the tap aerator into the sleeve.
- ▶ Place the gasket onto the tap aerator and screw on the sleeve finger-tight.

Check the details in the "Installation manual", page 13.


Repairs

The device shall only be repaired by Franke or by qualified personnel trained by Franke. Opening Franke Mythos Water Hub by unqualified personnel voids the warranty.


To ensure safe operation, use only the spare parts specified by the manufacturer. Otherwise, all warranty and liability claims against the manufacturer will be void.

Filter operation and replacement

A reliable system function can only be achieved if the filter cartridge is replaced on a regular basis. The change cycles depend on the application and associated water consumption.

 We recommend replacing the filter cartridge no later than 12 months depending on usage.

Failure to replace the filter will void the warranty.


 If the device is not used for more than four weeks, the filter cartridge must be replaced.

Reprocessing of used filter cartridges is not possible. Used filter cartridges can be disposed of hazard free in domestic waste.

Filter replacement steps

We recommend replacing the filter cartridge in the following order (check the details in the "Installation manual", page 12):

1. Make sure that the tap is correctly aligned above the sink.
2. Remove the front cover.
3. If a new filter cartridge is required, the LEDs on the user interface will light up.
4. Tilt the filter head forward, turn the filter cartridge by approx. 90 degrees to the left and pull it down. This will unlock it from the filter head and enable it to be removed.
Notice: During this process, incoming tap water supply and outgoing filtered water valves in the filter head shut off automatically. It may happen that a small amount of expansion water leaks from the filter head due to peaks in pressure. Please keep this in mind and place a suitable container underneath the filter head.

5. Insert the filter cartridge into the filter head and turn the filter cartridge by approx. 90 degrees to the right until it cannot be tightened any further. Tilt the filter head backwards.
6. The device only works with a Franke RFID-filter, otherwise the device will stop working. Filter button (B) 
7. After the filter is changed, the unit recognizes the new filter and the red button on the unit turns green. The knob on the tap gets into ready mode (white LED).
8. Press the electronic knob for starting the flushing program. This takes approx. 2-3 minutes.
Notice: The flush water could be milky or cloudy at first. This is due to the dispersing air and will clear up quickly.
9. Install the front cover.

Filter setting for water hardness

- ▶ Keep knob pressed for 10 sec. LED starts flashing.
- ▶ Turn backwards for corresponding water hardness setting.
- ▶ Press button for 2 sec. for selection confirmation. LED flashes 3x briefly for setting confirmation.

LED color	Warnings for filter change
Orange	1 month before filter change, LED lights up orange constantly (50%), at end of runtime LED orange pulsating
Red/Orange	No filter/RFID tag not detected

CO₂ cylinder operation and replacement

After approx. 60 liters of carbonated water have been drawn, the water jet becomes weaker and the carbon dioxide content lower.

Below 3 bar, the device shows a signal on the keyboard and on the tap to replace the CO₂ cylinder. If it is completely empty, no carbonated water can be drawn from the unit.



The system supports CO₂ cylinders without additional flavour with 425 g and a trapezoidal thread. It is compatible with the standard cylinders available from major marketplaces.

- ▶ CO₂ cylinders shall be maintained or repaired only by authorized personnel.

At the end of its life, if for example the sealing is insufficient, it must be disposed of locally in accordance with the applicable regulations or better be returned with the local bottle deposit system.

CO₂ cylinder replacement steps

We recommend replacing the CO₂ cartridge in the following order (check the details in the "Installation manual", page 12):

1. Remove the front cover.
2. If a new CO₂ cylinder is required, the LEDs on the user interface will light up.
3. Tilt the CO₂ connection forward and slowly unscrew the used CO₂ cylinder by turning it to

the left. This will unlock it from the CO₂ pressure reducing valve and enable it to be removed.

Notice: The empty CO₂ cylinder can be returned at your local return station for a refill.

4. Remove the new CO₂ cylinder from its packaging and check for any damage on the CO₂ bottle head.
5. Remove the protective cap from the new CO₂ cylinder and screw the CO₂ cylinder into the CO₂ pressure reducing valve by turning it to the right until it cannot be tightened any further. Tilt the CO₂ connection backwards.

Notice: It is important that the CO₂ cylinder is thoroughly tightened so that a tight sealing is formed. Some gas may escape, and a hissing noise may be heard. Keep tightening, until it cannot get any further. No more gas should be heard escaping.
6. After the CO₂ cylinder is assembled, the LEDs on the user interface will light green.
7. Install the front cover.

LED color	Warnings for CO ₂ cylinder change
Green	If pressure <3 bar, LED pulses green.

Removal of the product

We recommend removing the product in the following order (check the details in the "Installation manual", page 14):

1. Make sure that the tap is correctly aligned above the sink.
2. Unplug the power cord.
3. Turn off the mains water supply and close the angle valves.
4. Remove the front cover.
5. Tilt the CO₂ connection forward and slowly unscrew the used CO₂ cylinder by turning it to the left. This will unlock it from the CO₂ pressure reducing valve and enable it to be removed.
6. Install the front cover.

7. Disconnect the communication cable (D), flexible water hose (6, blue tag) and the stem adapter (11) at the end of the unit water connection (C).



Warning: Danger of scalding! The safety valve (3) with the flexible water hose (5, red tag) should never be disconnected from the unit!

8. (Only for All-in-One device) Demount the safety valve (3) from the wall and disconnect the expansion water drain hose (2).
9. The unit with the connected safety valve can now be safely removed from the cabinet.



Notice: The Franke Mythos Water Hub must always be transported in appropriate packaging. If a device is returned to Franke, it must be shipped without a CO₂ cylinder.

Disposal



The symbol on the product or on the packaging indicates that the device must not be disposed of in the domestic waste.

By disposing of the device in a proper way you help to avoid harmful consequences to environment and health.

Further information about recycling the device is available from the competent authority, the local refuse disposal service or the vendor of the device. Dispose of the device, which is to be discarded, via a specialised waste collection point for electronic and electrical devices.

In accordance with the article of Legislative Decree no. 15 dated 25 July, Implementation of Directive 2002/96/EC regarding the reduction of the hazardous substances used in electrical and electronic appliances and in waste disposal. The barred dustbin symbol on the appliance indicates that at the end of its working life the product must not be disposed of as household waste.

Consequently, when the appliance has reached the end of its working life the user must take it to a suitable recycling centre for electronic and electrotechnical waste, or return it to the dealer when purchasing a new appliance of equivalent type.

Proper separate waste collection of the scrapped appliance for subsequent recycling, treatment and environmentally-friendly disposal helps prevent a potentially negative impact on the environment and health and facilitates recycling of the materials used in appliance construction.

Inhaltsverzeichnis

Über diese Anleitung	27
Sicherheitsinformation	27
Produktinformation	32
Produktmerkmale	32
Überblick	34
Franke Mythos Water Hub	36
Für die Installation erforderliche Werkzeuge	37
Sauberkeit und Hygiene bei der Installation	37
Installation	38
Allgemeine Hinweise zur Installation	38
Installationsschritte	38
Startvorgang	39
Bedienung	40
Bedienung des elektronischen Drehknopf	40
Auswahl der LED-Intensität	41
Benutzeroberfläche	42
Franke @Home App	43
Fehlersuche	43
Wartung	46
Allgemeine Wartung	46
Reinigung	46
Perlator zum Entkalken	47
Instandsetzung	47
Filterbetrieb und -austausch	47
Betrieb und Austausch der CO₂-Flasche	48
De-Installation	49
Entsorgung	49

Über diese Anleitung

Diese Bedienungsanleitung enthält wichtige Informationen zur sicheren und ordnungsgemäßen Installation und Inbetriebnahme des Produkts.

FRANKE behält sich das Recht vor, ohne vorherige Ankündigung Änderungen am Produkt vorzunehmen. Alle Angaben waren zum Zeitpunkt der Veröffentlichung korrekt.

- ▶ Lesen Sie die Bedienungsanleitung sorgfältig durch, bevor Sie das Gerät verwenden.

- ▶ Bewahren Sie die Bedienungsanleitung auf.
- ▶ Benutzen Sie das in dieser Bedienungsanleitung beschriebene Gerät nur bestimmungsgemäß.

Symbol	Bedeutung
	Warnsymbol. Warnung vor Verletzungsgefahren.
	Aktionsschritt. Gibt eine auszuführende Aktion an.



Warnsymbol. Warnung vor Verletzungsgefahren.



Aktionsschritt. Gibt eine auszuführende Aktion an.

Sicherheitsinformation

Verwendungszweck

- Installieren Sie das Produkt wie in dieser Anleitung beschrieben und in Übereinstimmung mit den geltenden Installations-, Sicherheits- und örtlichen Wasserversorgungsvorschriften!
- Das System ist für den Innenbereich in Privat-Haushalten konzipiert, üblicherweise im Küchenumfeld. Unter Beachtung der Leistungseinschränkungen ist der Einsatz auch in halböffentlichen Räumen, wie z. B. einer Personalküche in Geschäften, Büros oder anderen Gewerbebetrieben, möglich.
- Der Benutzer ist für alle Reinigungs- und Wartungsanforderungen verantwortlich.
- Jede über den bestimmungsgemäßen Gebrauch hinausgehende Verwendung gilt als Missbrauch.

Nicht bestimmungsgemäßer Gebrauch

- Die Installation des Franke Mythos Water Hub ist nicht gestattet:
 - In Bereichen mit erhöhter Kontaminationsgefahr, z.B. in staubigen, unbelüfteten oder feuchten Umgebungen oder in Bereichen um Türen und Fenster.


- Auf unebenen oder schrägen Flächen oder in unmittelbarer Nähe von Toiletten.
- Auf Fluchtwegen.
- Direkt neben einer Wärmequelle, z.B. Heizung (mindestens 20 cm entfernt) und Bereiche mit direkter Sonneneinstrahlung über einen längeren Zeitraum.
- An Orten, die die Reinigung und Wartung des Geräts erschweren.
- An Orten ohne ausreichende Belüftung.
- Im Außenbereich.

Haftungsbeschränkung


- Die Haftung für Mängel erstreckt sich nicht auf die übliche Abnutzung oder Schäden, die durch fehlerhafte oder nachlässige Behandlung, Überbeanspruchung, ungeeignete Betriebsmittel oder durch besondere äußere Einflüsse entstehen, die nicht dem bestimmungsgemäßen Gebrauch entsprechen.
- Darüber hinaus kann Franke nicht für Schäden oder Verletzungen haftbar gemacht werden, die aus Folgendem resultieren:
 - Unsachgemäße Installation.

- Nichtbeachtung der Anweisungen und Sicherheitshinweise in dieser Anleitung.
- Wartung und/oder Installation durch unqualifiziertes Personal.
- Unsachgemäße Wartung (insbesondere kein regelmäßiger Filterwechsel und Reinigung).
- Unbefugte Änderungen.
- Technische Änderungen.
- Verwendung von Ersatzteilen, die nicht vom Hersteller empfohlen werden.
- Verwendung von Zusatzteilen, die nicht vom Hersteller freigegeben sind.
- Der Benutzer ist für die ordnungsgemäße Installation, Wartung und Verwendung des Produkts verantwortlich. Die Garantie erlischt, wenn das Produkt und/oder elektrische Komponenten durch unsachgemäße Montage, unsachgemäßen Gebrauch oder sonstige Art von Missbrauch beschädigt werden.

Sicherheitshinweise


 **Warnung:** Im Kühlkreislauf des Gerätes befindet sich ein FCKW-freies Kältemittel. Es ist brennbar und kann auslaufen, wenn der Kühlkreislauf beschädigt ist!

- Stellen Sie sicher, dass keine zum Kühlkreislauf gehörenden Teile beschädigt werden.
- Sollte es einmal zu einer Beschädigung des Kältemittelkreislaufs kommen, vermeiden Sie offenes Feuer und Zündquellen und sorgen Sie für eine gute Belüftung.
- Schließen Sie ein defektes Gerät nicht an das Stromnetz an.

 **Warnung:** Beim Einatmen von CO₂ besteht Lebensgefahr durch Ersticken!

- Die Mindestraumgröße, in der das System installiert wird, muss mindestens 5 m² betragen. Wenn der Raum eine Deckenhöhe von weniger als 2 m hat, erhöht sich dieser Wert.

- Bei Verwendung größerer Flaschen muss die freie Stellfläche proportional zum Volumen angepasst werden.
- Die Verwendung einer externen CO₂-Flasche liegt in der Verantwortung des Benutzers.

 **Warnung:** Spannungsführende Teile im Inneren des Gerätes!

- Das Gerät darf nur von geschultem und qualifiziertem Personal geöffnet werden.
- Installieren Sie das Produkt wie in dieser Anleitung beschrieben und in Übereinstimmung mit den geltenden Installations-, Sicherheits- und örtlichen Wasserversorgungsvorschriften.
- Benutzen Sie das Produkt nicht für andere als die in diesem Handbuch beschriebenen Zwecke.
- Veränderungen am Gerät sind nur durch Franke oder durch von Franke geschultes Fachpersonal gestattet.
- Um einen sicheren Betrieb zu gewährleisten, verwenden Sie nur die vom Hersteller angegebenen Ersatzteile. Andernfalls erlischt jeglicher Gewährleistungs- und Haftungsanspruch gegenüber dem Hersteller.
- Dieses Gerät ist nicht für die Verwendung durch Personen (einschließlich Kinder) mit eingeschränkten physischen, sensorischen oder geistigen Fähigkeiten bestimmt, es sei denn, sie werden von einer für ihre Sicherheit verantwortlichen Person beaufsichtigt oder in die Verwendung eingewiesen.
- Dieses Gerät kann von Kindern ab 8 Jahren und darüber sowie von Personen mit eingeschränkten körperlichen, sensorischen oder geistigen Fähigkeiten oder Mangel an Erfahrung und Wissen verwendet werden, wenn sie beaufsichtigt oder in die sichere Verwendung des Geräts eingewiesen wurden und die Gefahren verstehen beteiligt. Reinigung und Benutzerwartung

dürfen nicht von Kindern ohne Aufsicht durchgeführt werden.


- Kinder sollten beaufsichtigt werden, um sicherzustellen, dass sie nicht mit dem Gerät spielen.
- Bewahren Sie den Stecker und das Kabel außerhalb der Reichweite von Kindern auf.
- Personen, die mit dem Franke Mythos Water Hub noch nicht vertraut sind, müssen in den sicheren Gebrauch eingewiesen und über die möglichen Gefahren, insbesondere bei der Verwendung des Heißwasserhahns, informiert werden.
- Für immungeschwächte Personen oder Babys empfiehlt es sich grundsätzlich, das Wasser abzukochen. Bei Verwendung eines Filters mit Entkalkung (Pro M Connect Filter) reichert sich das Wasser im Filter mit Natrium an und kann bei natriumempfindlichen Personen oder Babys zu Problemen führen. Wenden Sie sich bei Bedarf oder im Zweifel an einen Arzt oder den Kundendienst. Wenden Sie sich bei Bedarf oder im Zweifel an einen Arzt oder den Kundendienst.
- Nutzungsbeschränkungen für gefährdete Personen: Gemäß den Empfehlungen der Deutschen Gesellschaft für Krankenhaushygiene und des Robert-Koch-Instituts wird das Trinken von Wasser aus Wasserspendern in Gesundheitseinrichtungen und Altenpflegeheimen aufgrund möglicher krankheits-, therapie- oder therapiebedingter Immunschwächen der Patienten nicht empfohlen. Ebenso ist der Konsum von Leitungswasser und damit auch die Nutzung von Wasser aus Trinkwasserspendern bei Personen mit Immunschwäche grundsätzlich zu vermeiden.
- Das Gerät ist für den Innenbetrieb in einem geschlossenen Raum (in der Regel eine Küche) konzipiert, z. B. unter einem Waschbecken. Der Anschluss darf nur an eine Wasserversorgung mit konstanter Trinkwasserqualität gemäß den örtlichen Vorschriften erfolgen. In Trinkwassersystemen mit Druckspülern können Druckschwankungen zu Problemen mit dem Auslaufdruck führen.
- Das Gerät darf nur an einen FI-geschützten Netzanschluss angeschlossen werden.
- Benutzen Sie immer das mitgelieferte Schlauchset. Die aktuelle Version, die in der Installation verfügbar ist, kann nicht wiederverwendet werden.
- Bei nachteiligen Veränderungen der Wasserqualität innerhalb der Hausinstallation aufgrund von Bauarbeiten im Gebäude ist sicherzustellen, dass das Gerät vor der Wiederinbetriebnahme vom Betreiber gereinigt und desinfiziert wird. Schmutzpartikel (z. B. Rostpartikel) aus der Wasserleitung können die Funktion des Geräts beeinträchtigen und müssen vermieden werden.
- Am Installationsort muss der Franke Mythos Water Hub vor mechanischer Beschädigung, Hitze und direkter Sonneneinstrahlung, offenem Feuer und Frostgefahr geschützt werden.
- Das Gerät muss aufrecht aufgestellt werden.
- Schließen Sie den Stecker an eine Steckdose an, die den geltenden Vorschriften entspricht und sich an einem zugänglichen Ort befindet.
- Überprüfen Sie bei Geräten der Klasse I, ob die Haushaltsstromversorgung eine ausreichende Erdung gewährleistet.
- Damit sich der Aufstellort durch die warme Abluft nicht aufheizen kann, benötigt das Gerät einen permanenten Luftaustausch. Es muss eine Öffnung in der Rückwand des Schrankes oder eine


ähnliche Öffnung in der Bodenplatte vorgesehen werden.

- Das Stromkabel ist so zu verlegen, dass keine Beschädigungen auftreten können. Sollte das Kabel oder der Stecker beschädigt sein, muss dieser von einem Fachmann ausgetauscht werden. Sollte das Signalkabel zum Wasserhahn beschädigt sein, muss der komplette Wasserhahn ausgetauscht werden.
- Ein beschädigtes Netzkabel muss von Franke oder durch von Franke geschultes Fachpersonal durch ein identisches ersetzt werden.
- Überprüfen Sie einmal im Jahr die Schlauchzuleitungen zum Wasserhahn und zum Gerät. Ein Leck an diesen Stellen führt sofort zu einem Wasserschaden. Wenden Sie sich bei Bedarf an den Kundendienst.
- Im Gerät können alle handelsüblichen CO₂-Flaschen mit einem Volumen von 425 g und einem Trapezgewinde (TR 21×4) verwendet werden. Die eigentliche Dichtfläche der CO₂-Flasche sollte sauber und frei von Kratzern oder Dellen sein. Beim Einschrauben der Flasche stets auf festen Sitz achten. Beim Einschrauben kann es zu einem leichten Zischen kommen und es kann eine kleine Menge CO₂ austreten, was normal ist.
- CO₂-Flaschen stehen unter Druck. Schützen Sie sie vor Überhitzung durch direkte Sonneneinstrahlung oder andere Wärmequellen. Lagern Sie die CO₂-Flasche in einer Umgebung, in der es nicht zu einer Erwärmung der Flaschen kommen kann. Bei Verwendung einer externen CO₂-Flasche sind die Anweisungen des Lieferanten strikt zu befolgen. Die CO₂-Flasche sollte niemals horizontal abgelegt werden.
- Sollte CO₂ in den Raum entweichen, lüften Sie den Raum und lassen Sie ihn einige Zeit stehen, um eine ausreichende Frischluftzufuhr zu gewährleisten. Selbst die Gesamtmenge in einer

425-g-Flasche reicht nicht aus, um bei Austritt lebensgefährliche Konzentrationen in der Luft zu erreichen.

- Wenn Sie das Gerät transportieren, muss die CO₂-Flasche deinstalliert werden.
- Verwenden Sie im System kein Osmosewasser oder stark gefiltertes Wasser. Es kann zu Problemen bei der Füllstandskontrolle kommen.
- Der Betrieb des Franke Mythos Water Hub ohne Connect Filter ist nicht gestattet. Wenn der Franke Mythos Water Hub an eine Wasserversorgung mit Wasserenthärter angeschlossen ist und die Wasserhärte unter 7 °dKH liegt, kann statt eines Standardfilters mit Entkalkung (Franke Pro M Connect Filter) ein Frischwasserfilter (Franke Clear Water Connect Filter) verwendet werden.

 **Vorsicht:** Um Beschädigungen zu vermeiden, verwenden Sie niemals gezahnte Werkzeuge. Benutzen Sie bei Bedarf immer geeignete Werkzeuge zum Anziehen der Kupplung.


 Halten Sie Sicherheitsetiketten und Hinweise am Produkt stets in einem lesbaren Zustand. Beschädigte Sicherheits- und Hinweisschilder sofort ersetzen!

- Am Installationsort muss der Franke Mythos Water Hub vor mechanischer Beschädigung, Hitze und direkter Sonneneinstrahlung, offenem Feuer und Frostgefahr geschützt werden.
- Geflieste und steinerne Spülbecken halten kochendem Wasser nicht stand; Der Temperaturunterschied kann dazu führen, dass diese reißen. Öffnen Sie beim Ausgießen von kochendem Wasser immer den Kaltwasserhahn und schütten Sie das kochende Wasser am besten direkt in den Abfluss.
- Aufgrund der ständigen Verbesserung unserer Produkte und/oder Systeme können die Abbildungen in diesem


Dokument vom gelieferten Gerät abweichen.

- Sofern verfügbar, können Sie die neueste Version des Handbuchs über unsere Website herunterladen:
www.franke.com

Filterpatrone

 Um das Produkt vor Kalkablagerungen zu schützen, ist die Verwendung eines Franke-Filters zwingend erforderlich. Es ist zwingend erforderlich, den Filter anhand der Wasserhärte-tabelle zu wechseln.

- Nach der Lagerung bei einer Temperatur von 0 °C muss der Filter vor dem Einbau zunächst 24 Stunden bei Raumtemperatur gelagert werden.
- Die Filterpatrone darf nicht geöffnet oder beschädigt werden.
- Die Filterpatrone und das System müssen nach längerer Stillstandszeit und/oder bei Wartungsarbeiten intensiv gespült werden (2 Liter Spülwasser nach 1 Woche Stillstand; 10 Liter Spülwasser nach 4 Wochen Stillstand).

 Die Filterpatrone muss ausgetauscht werden, wenn sie nach der Inbetriebnahme 3 Monate lang nicht in Betrieb war.

Konformitätserklärung

Der Hersteller erklärt, dass dieses Gerät mit Funkanlage der Richtlinie 2014/53/EU entspricht.

Um den vollständigen Text der EU-Konformitätserklärung aufzurufen, geben Sie den Produktcode als Suchbegriff unter folgendem Link ein:

<https://www.franke.com/en/product-documentation/>

Dieser Code befindet sich auf dem Schild im Inneren des Produkts.

Frequenzbänder	Maximale Sendeleistung
2,4 GHz	max. 100 mW

PSTI-Konformitätserklärung

Der Hersteller erklärt, dass dieses Produkt den geltenden Sicherheitsanforderungen („Security Requirements“) in „Schedule 1“ der Product Security and Telecommunications Infrastructure (Security Requirements for Relevant Connectable Products) Regulations 2023 entspricht.

Das Statement of Compliance (SOC) finden Sie unter folgendem Link:

<https://catalog.franke.com/franke/psti/water-hub/>



Umgebungsbedingungen

Das Gerät darf nur an eine Wasserversorgung mit konstanter Trinkwasserqualität nach örtlichen Vorgaben und einem konstanten Fließdruck zwischen 1 und 10 bar bei einer Wassertemperatur von 5 °C bis 30 °C angeschlossen werden.

Die Umgebungstemperatur muss zwischen 10 °C und 32 °C (Klimaklasse: SN) liegen, bei einer relativen Luftfeuchtigkeit von max. 75 % und eine maximale Aufstellhöhe von 2000 m über dem Meeresspiegel.

Garantie

Scannen Sie den QR-Code, um zu den Garantierichtlinien zu gelangen:



Produktinformation

Franke Mythos Water Hub Sparkling kann Leitungswasser filtern, kühlen und mit Kohlensäure versetzen. Es bietet die Möglichkeit, gefiltertes, gekühltes und kohlensäurehaltiges Wasser aus einem einzigen Wasserhahn zu beziehen. Der Mythos Water Hub All-in-One kann außerdem Leitungswasser kochen. Er bietet die Möglichkeit, gefiltertes, gekühltes und kochendes Wasser aus einem einzigen Wasserhahn zu beziehen.

Produktmerkmale

Filter

Um eine gute Wasserqualität zu gewährleisten und das Produkt vor Kalkablagerungen zu schützen, muss ein Filter an den Franke Mythos Water Hub angeschlossen werden. Der Filter reduziert unerwünschte Geschmacksträger und Verunreinigungen im Trinkwasser, bevor es im Durchflussverfahren abgegeben wird. Das Filtermaterial bindet Schwermetallionen wie Blei, Kupfer und Cadmium. Die integrierte Aktivkohle reduziert unerwünschte Trübungen, organische Verunreinigungen, Geruchs- und Geschmacksstoffe sowie Chlorrückstände im Filtrat. Je nach Mineralisierung und Härtegrad des örtlichen Leitungswassers sollte ein anderer Filtertyp verwendet werden.

Kapazität

Der Franke Mythos Water Hub ist mit einer 425 g CO₂-Flasche ausgestattet, der ca. 60 Liter kohlensäurehaltiges Wasser liefert. Optional kann für höhere Ansprüche eine externe CO₂-Flasche hinzugefügt werden. In diesem Fall muss der Druckminderer der externen CO₂-Flasche auf 5 bar eingestellt werden. Der Eingangsdruck am Gerät sollte niemals 6 bar überschreiten. Der Behälter des Geräts fasst 2,2 Liter gekühltes Wasser, 0,6 Liter kohlensäurehaltiges Wasser und weitere 4 Liter unter Druck stehendes abgekochtes Wasser. Die Durchflussmenge variiert je nach Wasserversorgungsdruck und Wasserhahntyp. Bei der Ausgabe von gekühltem oder kohlensäurehaltigem Wasser füllt sich der Franke Mythos Water Hub sofort mit kaltem Leitungswasser.

Kühlmethode

Die Temperatur des kohlensäurehaltigen Wassers hängt von der Temperatur des gekühlten Wassers im Reservoir ab. Der Temperaturbereich von gekühltem und kohlensäurehaltigem Wasser wird intern auf die optimale Temperatur eingestellt.

Kochmethode (nur für Franke Mythos Water Hub All-in-One-System)

Der Temperaturbereich von kochendem Wasser kann zwischen 80, 90 bis 100 °C eingestellt werden. Bei einer Temperatureinstellung von 105 °C beträgt die Zapfmenge ca. 2,6 Liter über 99 °C. Bei höheren Leistungsmengen sinkt die Warmwassertemperatur, während bei der Wasserentnahme kaltes Wasser in den Kessel strömt und sich mit dem Warmwasser zu vermischen beginnt.



Der Franke Mythos Water Hub verfügt nicht über einen separaten Kochwasserauslass zum Anschluss eines Mischventils. Verfügt die Hausinstallation nicht über einen Warmwasseranschluss, der direkt an den Wasserhahn angeschlossen werden kann, ist eine Warmwasserentnahme durch Verstellen des Einhebelmischers am Wasserhahn nicht möglich. Alternativ kann die Temperatur des kochenden Wassers per App zwischen 80, 90 und 100 °C eingestellt werden.

Kohlensäure

Der CO₂-Gehalt des kohlensäurehaltigen Wassers beträgt ca. 5,0 bis 5,5 g/l unter optimalen Bedingungen. Dieser Wert kann nicht angepasst werden, aber eine Mischung mit gekühltem Wasser ist möglich, um einen niedrigeren Karbonisierungsgrad zu erreichen. Nach der Entnahme von kohlensäurehaltigem Wasser folgt ein kurzer Nachlauf mit gekühltem stillem Wasser, um das restliche CO₂ aus der Leitung zu spülen. Diese Funktion verhindert das physikalisch bedingte Tropfen des Wasserhahns durch die CO₂-Ausdehnung.

Urlaubsmodus

Es kann ein Urlaubsmodus aktiviert werden (siehe Abschnitt 6.2). Daher reduziert das Gerät die Siedetemperatur auf 60 °C und die Temperatur des gekühlten und kohlensäurehaltigen Wassers auf 15 °C.

Anmerkung: Der Geschmack und das Aussehen von aufbereitetem Wasser hängen von vielen Faktoren ab, z. den Mineralisierungs- und Härtegrad des örtlichen Leitungswassers.

Anmerkung: Etwas Tropfen aus dem Wasserhahn ist normal, insbesondere bei kohlensäurehaltigem Wasser.

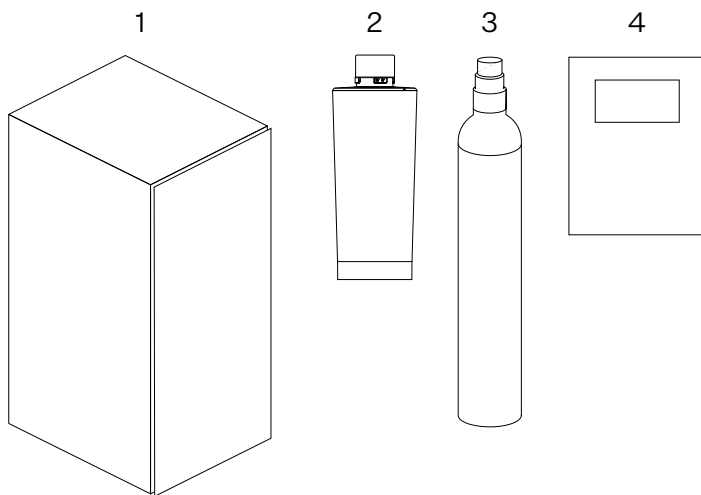
Anmerkung: Wenn Sie länger als zwei Wochen im Urlaub sind, empfiehlt es sich, das Gerät

auszuschalten. Dies geschieht, indem Sie das Gerät vom Stromnetz trennen oder es in den Urlaubsmodus schalten.

Anmerkung: Wenn etwa 14 Tage lang kein aufbereitetes Wasser ausgegeben wird, empfehlen wir, alle Optionen für aufbereitetes Wasser (gefiltert, gefiltert/gekühlt, gefiltert/gekühlt/kohlensäurehaltig, gefiltert/kochend) jeweils eine Minute lang zu spülen. Dadurch wird der Vorratsbehälter wieder mit frischem Wasser gefüllt und eine optimale Wasserqualität gewährleistet.

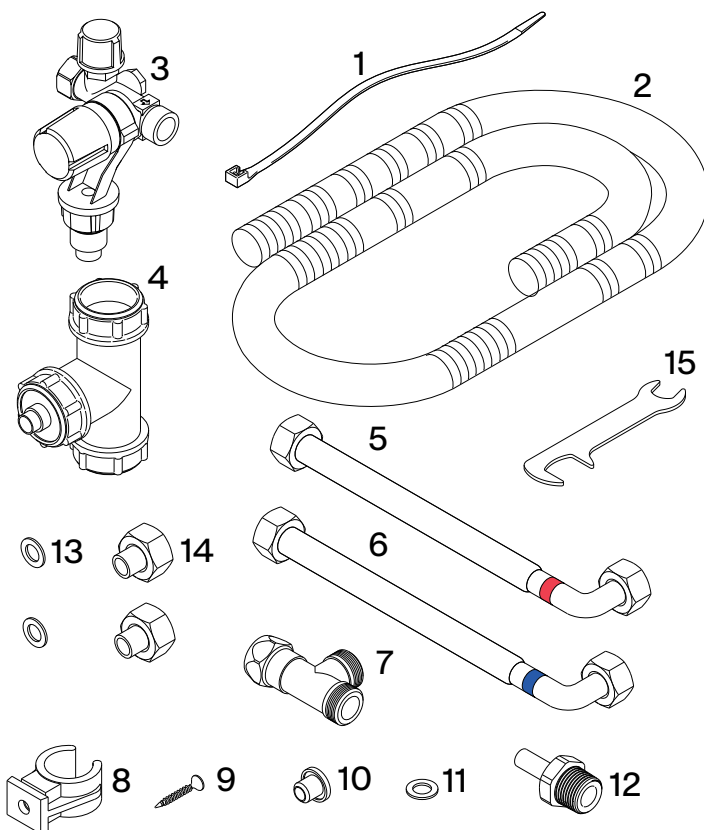
Überblick

Das Paket des Franke Mythos Water Hub enthält folgende Komponenten:



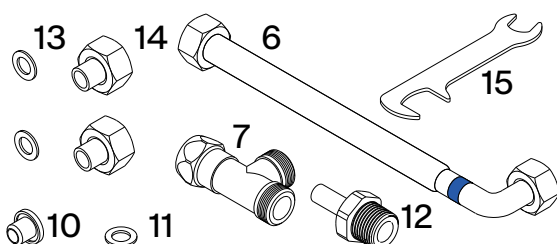
1. Gerät
2. Wasser Filterpatrone
3. CO₂-Flasche
4. Einbausatz

Mythos Water Hub All-in-One - Inhalt

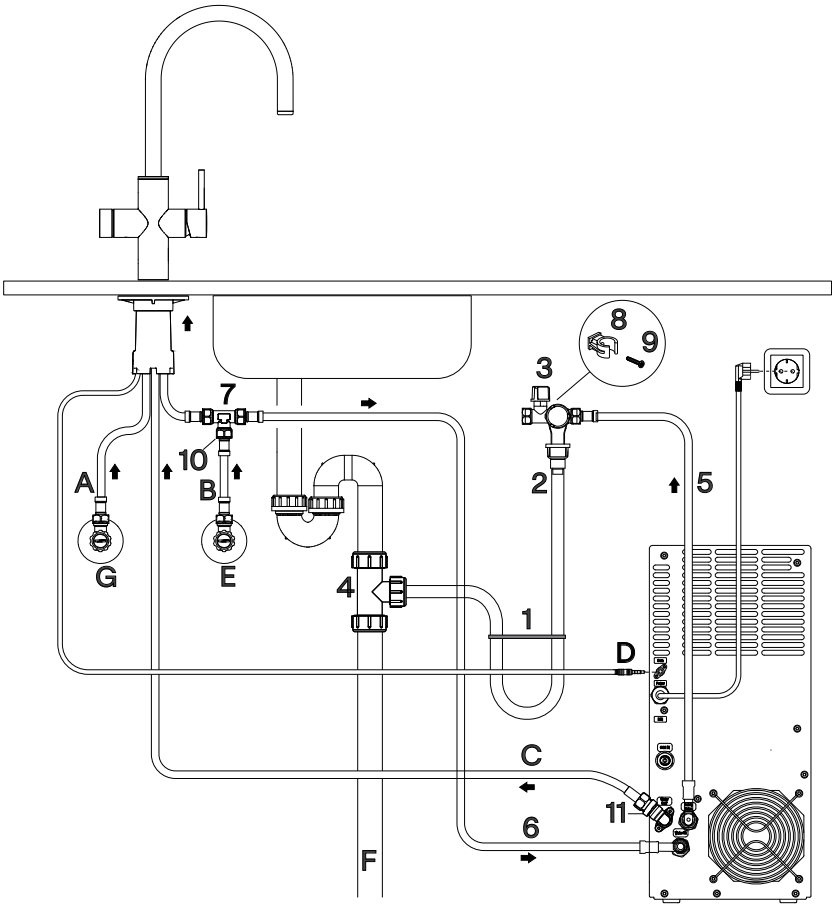


1. Kabelbinder
2. Expansionswasserschlauch
3. Sicherheitsventil flach in/out
4. T-Stück-Abfluss
5. Flexibler Wasserschlauch (rotes Etikett, 1 m, M15, G1/2")
6. Flexibler Wasserschlauch (blaues Etikett, 1 m, G3/8", G3/8")
7. T-Stück 3/8"
8. Klemme 20/22 mm
9. Schraube 4 × 25 Stk.
10. Hutfilter Metall EU
11. Flachdichtung G3/8"
12. Vorbauadapter ASA 0806M
13. Flachdichtung G1/2" (nur für UK-Version)
14. Adapter 1/2"F – 3/8"M (nur für UK-Version)
15. Blechmaulschlüssel 20/13 mm

Mythos Water Hub PrickelInd - Inhalt

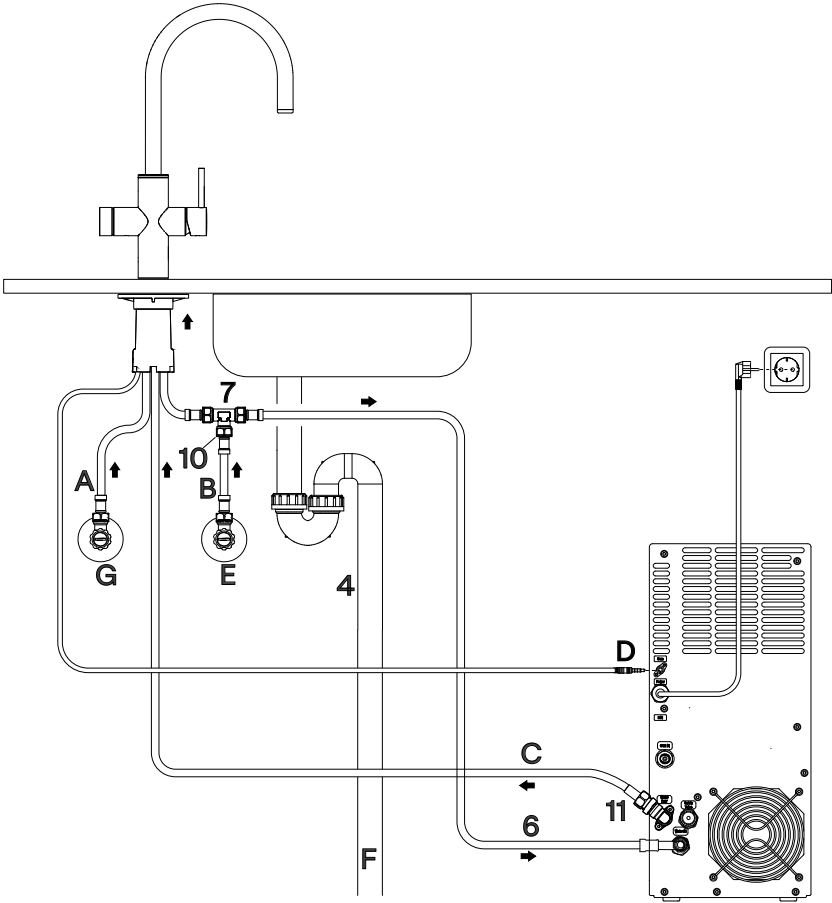


Mythos Water Hub – All-in-One



- A Warmwasserschlauch
 - B Kaltwasserschlauch
 - C Wasserhahn mit gekühltem Wasser
 - D Kommunikationskabel
 - E Kaltwasser Anschluss
 - F Hausinstallation Abfluss
 - G Warmwasser Anschluss
1. Kabelbinder
 2. Expansionswasserschlauch
 3. Sicherheitsventil flach in/out
 4. T-Stück-Abfluss
 5. Flexibler Wasserschlauch (rotes Etikett, 1 m, M15, G1/2")
 6. Flexibler Wasserschlauch (blaues Etikett, 1 m, G3/8", G3/8")
 7. T-Stück 3/8"
 8. Klemme 20/22 mm
 9. Schraube 4 × 25 Stk.
 10. Hutfilter Metall EU
 11. Vorbauadapter ASA 0806M

Mythos Water Hub Sparkling



Franke Mythos Water Hub

Der Franke Mythos Water Hub kann nur mit einer kompatiblen Softwareversion an dafür vorgesehene elektronische Wasserhähne von Franke angeschlossen werden.

Überprüfen Sie die Details im „Installationshandbuch“, Seite 6.

Anschlüsse

Für die Installation des Franke Mythos Water Hub sind ein Festwasseranschluss und ein FI-geschützter separater Stromkreis mit geeignetem Netzanschluss abgesichert mit mindestens 10 A und einer dauerhaften Spannungsversorgung von 220-240 VAC / 50 Hz erforderlich. Eckventile müssen bereits eingebaut sein.

Allgemeine Spezifikation

Ausgabe von Wasserarten	Gefiltertes gekühltes Wasser
	Gefiltertes kohlenstoffhaltiges Wasser
	Gefiltertes Leitungswasser
	Gefiltertes kochendes Wasser
Betrieb	Bedienung über elektronischen Wasserhahn
Parametrierung	Parametrierung per App (BLE)
Mindesteinbaumaße	Höhe > 440 mm
	Breite > 200 mm
	Tiefe ≥ 550 mm
Gewicht netto (leer)	20 kg
Gewicht netto (gefüllt)	27 kg
Versorgungsspannung	220-240 VAC / 50 Hz
Belastung	7,5 A
Stecker	EU-Version = Typ 303A gem. nach CEE7 UK-Version = Typ G / BS 1363 British 3 Pins
Max. Energieverbrauch	All-in-One: 1725 W (±10%) Prickelnd: 230 W
Standby-Stromverbrauch	All-in-One: 19 W (Kühlen und Kochen on) Prickelnd: 5,5 W (Kühlen on)
Schalldruckpegel (freistehend)	37 ± 4 dB im Betriebsmodus 0 dB im Standby-Modus
IP-Bewertung	IPx1
Zertifizierungen	CE-UKCA
Gefiltertes gekühltes Wasser	
Tankvolumen	2,2 l
Kühlprinzip	Tank-in-Tank-Aufbau
Temperaturregelbereich	ca. 4-10 °C, nicht einstellbar
Durchfluss ohne Kompensator	ca. 2,5 l/min bei 3 bar
Kühlzeit	ΔT = 10 K in 8 Minuten (von 20 °C auf 10 °C) (25 °C bis 5 °C: ca. 35 Minuten)

Gefiltertes kohlenstoffhaltiges Wasser

Tankvolumen	0,6 l
Kühlprinzip	Tank-in-Tank-Aufbau
Kohlensäure	Kohlensäurezusatz-System mit Injektions-Boosterpumpe
Temperaturregelbereich	ca. 4-10 °C, nicht einstellbar
Durchfluss	ca. 2 l/min bei 3 bar
Kohlensäuregehalt	ca. CO2-Gehalt 5,0-5,5 g/l

Gefiltertes kochendes Wasser (nur All-in-One)

Tankvolumen	4,0 l, Druckkessel
Temperaturregelbereich	ca. 80/90/100 °C, einstellbar per App
Durchfluss	ca. 2 l/min bei 3 bar
Kochzeit	15 °C bis 100 °C: ca. 15 Minuten
Energieeffizienzklasse der Warmwasserbereitung	A

Filter (siehe mitgelieferte Bedienungsanleitung)

Filter Typ	Schutzfilter (Franke Pro M Connect Filter oder Franke Clear Water Filter)
Durchmesser Filterpatrone	95 mm
Höhe der Filterpatrone	245 mm
Filterkopf	Bajonett
Filterkapazität	Ca. 1700 Liter bei 10 °dH

Für die Installation erforderliche Werkzeuge

- 1 x Schlüsselweite 24 mm,
- 1 x Schlüsselweite 22 mm,
- 1 x Schlüsselweite 20 mm,
- 1 x Schlüsselweite 19 mm,
- 1 x Schlüsselweite 13 mm,
- Teppichmesser (Cutter),
- Kreuzschlitzschraubendreher (oder Schraubendreher & PZ-Bit),
- Handsäge,
- Maßband,
- Bleistift.

Abhängig von der vorhandenen Infrastruktur können zusätzliche Tools erforderlich sein, z.B. Schlitzschraubendreher für Eckventil.



Um Beschädigungen zu vermeiden, verwenden Sie niemals gezahnte Werkzeuge. Benutzen Sie bei Bedarf immer geeignete Werkzeuge zum Anziehen der Kupplung.

Sauberkeit und Hygiene bei der Installation

Bei der Montage ist eine Verschmutzung wasserführender Teile (z. B. Dichtungen, Schlauchverbindungen, Gewinde usw.) unbedingt zu vermeiden. Wir empfehlen eine gründliche Händereinigung und die Vermeidung von Hautkontakt mit Oberflächen, die später mit Trinkwasser in Berührung kommen.

Installation

Allgemeine Hinweise zur Installation

Platzierung des Franke Mythos Water Hub

Sorgen Sie für ausreichend Platz im Küchenschrank und eine gute Zugänglichkeit für Service- und Wartungsarbeiten. An der Rückseite des Geräts muss genügend Platz vorhanden sein, damit die warme Luft aus dem Abluftauslass entweichen kann (mindestens 5-10 cm). Daher empfiehlt Franke eine Tiefe von min. 550 mm, eine Breite von min. 200 mm und eine Höhe von min. 440 mm für den Schrank.

Belüftung des Küchenschanks

Für eine gute Leistung des Franke Mythos Water Hub muss der Küchenschrank, in dem das Gerät installiert ist, ausreichend belüftet sein. Daher muss eine Öffnung von ca. 20 × 40 cm (800 cm²) in der Rückwand des Schrankes oder ähnliche Öffnungen in der Bodenplatte mit mindestens 5 cm Abstand zum Boden und zu den Seiten vorgesehen werden.

Wir empfehlen die Installation des Franke Mythos Water Hub in der folgenden Reihenfolge:

1. Bereiten Sie die Installation vor.
2. Installieren Sie das Sicherheitsventil (nur für All-in-One-Gerät).
3. Schließen Sie die Wasserversorgung an.
4. Gerät anschließen.



Installieren Sie das Überdruckventil möglichst hoch im Küchenschrank (nur bei All-in-One-Gerät).



Ziehen Sie während der Installation jede Verbindung sorgfältig fest.

Installationsschritte



Beim Transport des Franke Mythos Water Hub zum Installationsort ist möglicherweise Kühlflüssigkeit in die Leitungen gelaufen. Um sicherzustellen, dass die Kühlflüssigkeit zurückgelaufen ist, darf das Gerät erst nach einer Pause von mindestens 2 Stunden eingeschaltet werden.

Anmerkung: Die Installation kann vorbereitet werden, allerdings darf die Stromversorgung des Geräts zu diesem Zeitpunkt noch nicht eingeschaltet sein.

Überprüfen Sie die Details im „Installationshandbuch“, Seite 3-10.

Bereiten Sie die Installation vor (nur für All-in-One-Gerät) („Installationsanleitung“, Seite 3-6)

1. Prüfen Sie, ob alle Installationsvoraussetzungen erfüllt sind, z.B. Platz, Anschlüsse etc.
2. Schalten Sie die Wasserversorgung ab und schließen Sie die Eckventile. Falls nicht vorhanden, markieren Sie den vorhandenen Kalt- und Warmwasseranschluss.
3. Wasserhahn einbauen.

Installieren Sie das Sicherheitsventil (nur für All-in-One-Gerät) („Installationsanleitung“, Seite 6-7)

1. Der Absperrhahn des Sicherheitsventils (3) muss geschlossen sein. Überprüfen Sie dies, indem Sie den Hahn nach rechts drehen. Das Expansionsventil der Sicherheitsgruppe ist werkseitig auf 8 bar kalibriert.
Hinweis: Aus Sicherheitsgründen kann beim Aufheizen im Betrieb Wasser aus der Abblasleitung austreten.
2. Verbinden Sie den flexiblen Wasserschlauch (5, rote Markierung) mit dem Sicherheitsventil (3).
Hinweis: Installieren Sie die Sicherheitsgruppe entgegen der Durchflussrichtung, die durch den Pfeil auf der Rückseite der Sicherheitsgruppe angezeigt wird.
3. Schließen Sie den Expansionswasserschlauch (2) an das Sicherheitsventil (3) an.
Hinweis: Stellen Sie sicher, dass der Schlauch vollständig eingeführt ist und zwischen dem Sicherheitsventil und dem Schlauch kein Spalt besteht, aus dem Wasser austreten kann.
4. Montieren Sie das Sicherheitsventil (3) am höchsten Punkt unterhalb des Decks im Schrank und schrauben Sie das Klemmbrett (9) fest.
Hinweis: Das Sicherheitsventil (3) muss deutlich über dem Anschluss zum Abfluss positioniert werden. Dadurch wird sichergestellt, dass das Wasser nur in den Abfluss und nicht zurück zur Sicherheitsgruppe fließt. Um den beiliegenden flexiblen Wasserschlauch nutzen zu können, muss der Abstand zum Gerät < 1 m betragen.
5. Verbinden Sie den T-Stück-Abfluss (4) mit dem Abfluss. Verbinden Sie das andere Ende des Expansionswasserschlauchs (2) mit dem T-Stück-Abfluss (4).

Hinweis: Der Abfluss des Sicherheitsventils muss nach dem Siphon platziert werden. Bei Bedarf kann der Expansionswasserschlauch mit einem Messer gekürzt werden. Achten Sie darauf, dass die Schnittkante gerade ist. Stellen Sie sicher, dass der Schlauch vollständig eingeführt ist.

Hinweis: Bilden Sie mit dem Expansionswasserschlauch (2) einen Siphon und befestigen Sie diese mit dem Kabelbinder (1).

Schließen Sie die Wasserversorgung an („Installationsanleitung“, Seite 7-8)

1. Verbinden Sie das T-Stück (7) und den Hutfilter (10) mit der Kaltwasserinstallation (E) und dem Kaltwasseranschluss (B).
Für Großbritannien: Adapter (18-19) zwischen Kaltwasserinstallation (E) und T-Stück (7) anschließen.
Hinweis: Es ist äußerst wichtig, den Hutfilter zu installieren.
2. Verbinden Sie den flexiblen Wasserschlauch (6, blaue Markierung) mit dem T-Stück (7).
3. Verbinden Sie den Warmwasseranschluss (A) des Wasserhahns mit der Warmwasserinstallation (G).
Für Großbritannien: Adapter (18-19) zwischen Kaltwasserinstallation (E) und T-Stück (7) anschließen.
4. Verbinden Sie den Geräteanschluss (C) des Wasserhahns mit dem Schaftadapter (11).

Franke Mythos Water Hub anschließen („Installationsanleitung“, Seite 8)

1. Schließen Sie den flexiblen Wasserschlauch (6, blaue Markierung) an das Gerät an („Water IN“-Anschluss).
2. Schließen Sie den flexiblen Wasserschlauch (5, rote Markierung) an das Gerät an (Anschluss „Sicherheitsventil“).
Hinweis: Stellen Sie sicher, dass der Schlauch keine andere Verbindung blockiert.
3. Verbinden Sie den Schaftadapter (11) mit dem Gerät (Anschluss „Water OUT“).
Hinweis: Stellen Sie sicher, dass der Schlauch keine andere Verbindung blockiert.
4. Verbinden Sie das Kommunikationskabel (D) des Wasserhahns mit dem Gerät („Com“-Anschluss).
Hinweis: Stellen Sie sicher, dass der Stecker vollständig eingesteckt ist.
Hinweis: Überprüfen Sie, ob genügend Platz für alle Komponenten vorhanden ist und stellen Sie sicher, dass die Schläuche nicht geknickt, verdreht oder festgezogen sind. Sie sollten knickfrei verlegt werden. Platzen Sie keine


Mehrfachsteckdosen oder tragbaren Netzteile an der Rückseite des Geräts.

Filterinstallation („Installationsanleitung“, Seite 9-10)

1. Entfernen Sie die vordere Abdeckung.
2. Zum Entfernen des Reinigungsbeckens kippen Sie den Filterkopf nach vorne und drehen den Reinigungsbecher um ca. 90 Grad nach links.
Hinweis: Der Reinigungsbecher wird für den regulären Reinigungsvorgang benötigt und muss aufbewahrt werden.
3. Setzen Sie die Filterkartusche in den Filterkopf ein und drehen Sie die Filterkartusche um ca. 90 Grad nach rechts drehen, bis es nicht mehr festgezogen werden kann. Kippen Sie den Filterkopf nach hinten.
4. Installieren Sie die CO₂-Flasche noch nicht.
5. Schalten Sie die Wasserversorgung ein, öffnen Sie die Eckventile und überprüfen Sie die Installation auf Dichtheit. An keiner Stelle darf Wasser austreten.

Hinweis: Es wird empfohlen, nur Filter mit RFID-Tag (z. B. Pro M Connect-Filter) zu verwenden, da das Gerät sonst nicht mehr funktioniert.

Startvorgang

 Während der Inbetriebnahme muss der Franke Mythos Water Hub einmal gespült werden; Dies geschieht automatisch während des Installationsvorgang.

Um das Gerät betriebsbereit zu machen, wird die Inbetriebnahme in der folgenden Reihenfolge empfohlen:

1. Stellen Sie sicher, dass der Wasserhahn korrekt über dem Waschbecken ausgerichtet ist.
2. Überprüfen Sie den Kalt- und Warmwasseranschluss mit dem Handgriff, um sicherzustellen, dass die Wasserversorgung funktioniert.
3. Stecken Sie das Netzkabel ein.
Hinweis: Stellen Sie sicher, dass das Netzkabel nicht geknickt, eingeklemmt oder beschädigt ist.
4. Der erste Startvorgang dauert ca. 20 Sekunden.
Hinweis: Unterbrechen Sie den Vorgang nicht, indem Sie eine Taste drücken oder das Gerät ausstecken.
5. Nach dem Hochfahren des Geräts leuchten die LEDs am Wasserhahn auf. Drücken Sie kurz (<2 s) die Reset-/Standby-Taste am Gerät, um das erste Spülprogramm auszuführen.

6. Das erste Spülprogramm dauert ca. 5–6 Minuten.
Hinweis: Unterbrechen Sie den Vorgang nicht, indem Sie eine Taste drücken oder das Gerät ausstecken. Andernfalls ist ein vollständiger Neustart erforderlich. Das Gerät muss vom Stromnetz getrennt werden und der Vorgang muss ab Schritt 3 neu gestartet werden.
7. Nach dem ersten Spülprogramm leuchten die LEDs am Knopf auf.
Hinweis: Der Wasserhahn muss bereits mit Wasser gefüllt sein, d. h. die Erstspülung muss abgeschlossen sein, bevor Sie die CO₂-Zufuhr aktivieren.

Installation der CO₂-Flasche

(„Installationsanleitung“, Seite 12)

- Entfernen Sie die Schutzkappe von der CO₂-Flasche, kippen Sie den CO₂-Anschluss nach vorne und schrauben Sie die CO₂-Flasche mit einer Rechtsdrehung in das CO₂-

Druckminderventil ein, bis sie sich nicht mehr festziehen lässt. Kippen Sie den CO₂-Anschluss nach hinten.

Hinweis: Die CO₂-Flasche muss gründlich festgezogen werden, damit ein dichter Verschluss entsteht. Möglicherweise entweicht etwas Gas und es ist ein zischendes Geräusch zu hören. Ziehen Sie weiter fest, bis es nicht mehr weiter geht. Es darf kein Gasaustritt mehr zu hören sein.

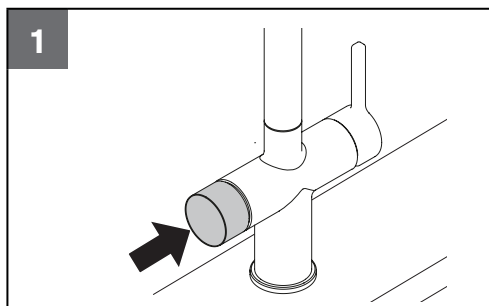
- Sobald die CO₂-Flasche montiert ist, leuchten die LEDs auf der Benutzeroberfläche auf und schalten von Rot auf Grün.
- Bringen Sie die vordere Abdeckung an.
- Das Gerät kühlt ab und heizt ca. 25 Minuten, danach ist das Gerät betriebsbereit.

Hinweis: Die endgültige Karbonisierungsqualität stellt sich nach einigen Tagen der Verwendung des Produkts ein.

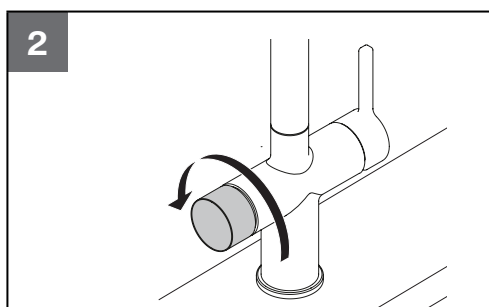
Bedienung

Bedienung des elektronischen Drehknopf

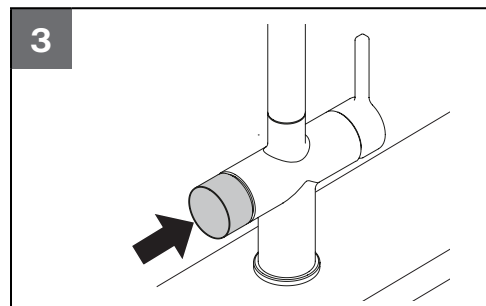
- Der elektrische Drehknopf reagiert im Standby-Modus nicht auf Drehbewegungen.
- Um den elektronischen Knopf zu aktivieren, drücken Sie 1x kurz (Abb. 1).



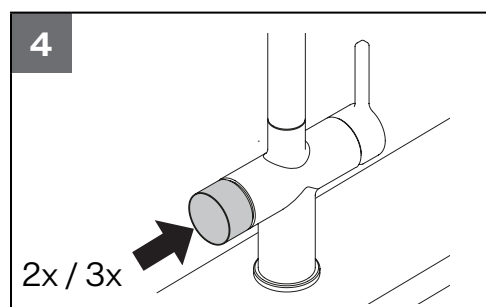
- Drehen Sie den elektronischen Knopf vorwärts oder rückwärts, um die gewünschte Wasserart auszuwählen – die LED-Farbe ändert sich mit der Bewegung (Abb. 2).



- Für einen kontinuierlichen Durchfluss des gewählten Wassers halten Sie den elektronischen Knopf gedrückt (Abb. 3).
Deaktivierung: Lassen Sie den Knopf los.



- Für die gewünschte Wassermenge 0,5, 1 oder 2 Liter drücken Sie kurz den elektronischen Knopf entsprechend den Angaben in der Tabelle unten (Abb. 4).
Deaktivierung: 1x kurz drücken.



- ▶ Halten Sie den abzufüllenden Gegenstand so nahe an den Wasserhahn, dass der Gegenstand die Ausgabeöffnung des Wasserhahns umschließt. Dadurch wird verhindert, dass Wasser spritzt.

LED Farbe	Funktion	Betrieb			LED Display	
		Drücken	Drücken und gedrückt halten	2X drücken		3X drücken
Weiß	Standby Modus*	Aktivieren Sie den Knopf, indem Sie 1x die LED drücken			-	Lichter
Rot	Kochendes Wasser		Kontinuierlicher Wasserfluss bis zum Loslassen des Knopfes	1l Wasserausstoß (Unterbrechung durch zusätzliches Drücken)	2l Wasserausstoß (Unterbrechung durch zusätzliches Drücken)	
Blau	Kaltes gefiltertes Wasser					Laufend
Türkis	Gefiltertes Wasser		Kontinuierlicher Wasserfluss bis zum Loslassen des Knopfes	0,5l Wasserausstoß (Unterbrechung durch zusätzliches Drücken)	1l Wasserausstoß (Unterbrechung durch zusätzliches Drücken)	
Grün	Kaltes „prickelndes“ Wasser					
Hellgrün	Kaltes „prickelndes“ Wasser „medium“, einstellbar über App					

*Keine Funktion bei Drehbewegung

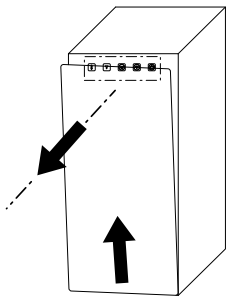
Auswahl der LED-Intensität

Nach 60 Sekunden ohne Betätigung des Wasserhahns wechselt er automatisch in den Schlafmodus mit 50 % LED-Intensität.

Um die Einstellung des Schlafmodus zu ändern, müssen Sie die folgenden Anweisungen befolgen.

1. Aktivieren Sie den Wasserhahn, indem Sie einmal auf den elektronischen Knopf drücken.
2. Drücken Sie den elektronischen Knopf 5 Mal.
3. Die LED beginnt zu blinken.
4. Drehen Sie den Knopf auf die gewünschte Einstellung, indem Sie ihn nach vorne oder zurück drehen:
 1. 50 % Intensität, Standard,
 2. 10 % Intensität,
 3. Vollständig ausgeschaltet.
5. Halten Sie zur Bestätigung den elektronischen Knopf 2 Sekunden lang gedrückt. Zur Bestätigung blinkt die LED 3 Mal.

Benutzeroberfläche



- A. CO₂-Gehalt
- B. Filterlaufzeit
- C. Reinigung
- D. Konnektivität
- E. Reset / Urlaubsmodus



CO₂-Gehalt

Status LED	Bedeutung
Konstant: Grün	CO ₂ > 3 bar
Blinkend: Rot	CO ₂ < 3 bar / CO ₂ -Flasche leer



Filterlaufzeit

(nur für Filter mit RFID-Tag)

Status LED	Bedeutung
Konstant: Grün	Verbleibende Filterzeit > 10%
Blinkend: Rot	Verbleibende Filterzeit ≤ 10%
Konstant: Rot	Verbleibende Filterzeit ≤ 0 % oder letzter Filterwechsel > 6–12 Monate, abhängig von der Wasserhärte, z.B. Filterwechsel erforderlich



Reinigung

Status LED	Bedeutung
Konstant: Grün	Keine Reinigung erforderlich
Blinkend: Rot	Reinigung erforderlich, wenn letzte Reinigung > 6 Monate
Blinkend: Blau (Countdown)	Reinigungsvorgang läuft

Um das Reinigungsprogramm zu starten, drücken Sie die Taste 5 Sekunden lang.



Konnektivität

Status LED	Bedeutung
Konstant: Weiß	Verbindung aktiv
Blinkend: Blau	Verbindungspaarungsmodus

Franke Mythos Water Hub kann mit der mobilen App Franke @Home verbunden werden.

- ▶ Drücken Sie für die erstmalige Verbindung mit der mobilen App die Taste 5 Sekunden lang, bis alle LEDs blau blinken, und folgen Sie den Anweisungen der App.



Reset / Urlaubsmodus

Status LED	Bedeutung
Konstant: Grün	Betriebsmodus aktiv
Blinkend: Grün	Gerät startet neu
Blinkend: Rot	Urlaubsmodus aktiviert

- ▶ Um das Gerät zurückzusetzen/neu zu starten, drücken Sie die Taste 5 Sekunden lang.
- ▶ Um den Urlaubsmodus zu starten, drücken Sie die Taste kurz für weniger als 2 Sekunden.
- ▶ Um das Gerät aus dem Urlaubsmodus „aufzuwecken“, drücken Sie eine beliebige Taste.



Im Fehlerfall blinken alle Tasten rot.

Trennen Sie die Stromversorgung für mindestens 10 Sekunden und starten Sie das Gerät neu. Sollte das nicht helfen, wenden Sie sich bitte an den Kundendienst.

Franke @Home App

Mit der Franke @Home-App ist es möglich, den Status des Franke Mythos Water Hub zu überwachen und die Betriebsparameter (z. B. die Temperatur des kochenden Wassers) individuell anzupassen.

App Store



Google Play



Fehlersuche

Fehler	Mögliche Ursache	Lösung
Wasseraustritt am Wasserhahnanschluss	Verbindungsrohr Kalt-/Warmwasser lose.	Mit einem Maulschlüssel festziehen.
	Verbindungsrohr der Kalt-/Warmwasser-Anschlussdichtung defekt oder beschädigt.	Tauschen Sie die Dichtung aus.
Wasseraustritt am Anschluss zum Abfluss	Zu geringe Einstecktiefe oder das Rohr wurde nicht gerade geschnitten.	Überprüfen Sie die Einstecktiefe des Schlauchs und der Schneidkante.
	Abgewinkelter Einbau des Sicherheitsventils.	Stellen Sie sicher, dass das Sicherheitsventil horizontal installiert ist und kein Spalt zum Ablaufschlauch vorhanden ist.
Wasseraustritt an den Anschlüssen des Gerätes	Verbindungsrohr für Kalt-/Warmwasser/aufbereitetes Wasser locker.	Mit einem Maulschlüssel festziehen.
	Anschlussdichtung der Verbindungsleitung für Kalt-/Warmwasser/aufbereitetes Wasser defekt oder beschädigt.	Tauschen Sie die Dichtung aus.
Wasseraustritt an einem Schlauch	Spröder oder gebrochener Schlauch.	Ersetzen Sie den undichten Schlauch.
Wasseraustritt im Gerät	Leckage im Gerät.	Trennen Sie das Gerät vom Stromnetz und wenden Sie sich an den Kundendienst.
Das Sicherheitsventil ist undicht.	Ausdehnung beim Erhitzen von Wasser.	Kein Fehler, normale Funktion.
	Ständiges Absinken aufgrund von Schmutz.	Betätigen Sie den Knopf am Expansionsventil manuell, um Schmutzpartikel zu entfernen. Ersetzen Sie das Sicherheitsventil.

Fehler	Mögliche Ursache	Lösung
Zischende Geräusche vom Gerät	Die CO ₂ -Flasche ist nicht richtig festgezogen.	Drehen Sie die CO ₂ -Flasche mit ordentlich Kraft nach rechts, bis er sich nicht mehr weiter festziehen lässt. Verwenden Sie eine neue CO ₂ -Flasche, da die Dichtfläche beschädigt sein könnte.
	Der interne Druckminderer ist defekt oder beschädigt.	Kontaktieren Sie den Kundendienst.
Wasserhahn liefert kein Wasser.	Die Eckventile der Wasserversorgungsanlage sind geschlossen.	Öffnen Sie die Eckventile und prüfen Sie die Funktion des Warm- und Kaltwassers.
	Das Hauptwasserventil ist geschlossen.	Öffnen Sie das Hauptwasserventil.
	Schläuche sind geknickt.	Richten Sie die geknickten Schläuche gerade aus.
	Wasserhahn ist verstopft.	Überprüfen Sie den Wasserhahn und reinigen Sie den Luftsprudler.
Es kann kein gefiltertes, gekühltes, kohlenstoffhaltiges oder kochendes Wasser entnommen werden.	Filter nicht richtig installiert.	Drehen Sie die Filterpatrone mit ordentlich Kraft nach rechts, bis sie sich nicht mehr weiter festziehen lässt.
	Keine Verbindung zwischen Wasserhahn und Gerät.	Stecken Sie den Kabelstecker des Kommunikationskabels fest ein.
	Das Installationskit ist falsch installiert.	Überprüfen Sie die korrekte Installation des Installationskits.
Kochendes Wasser kann nicht entnommen werden.	Das Gerät wurde ohne Filter in Gebieten mit hohem Kalkgehalt im Trinkwasser eingesetzt.	Kontaktieren Sie den Kundendienst.
	Der Kessel ist defekt.	Kontaktieren Sie den Kundendienst.
Anstelle von Wasser wird CO ₂ aus dem Wasserhahn entnommen.	Die Hochdruckpumpe ist defekt.	Kontaktieren Sie den Kundendienst.
Das entnommene Wasser enthält kein oder wenig CO ₂ .	Die CO ₂ -Flasche ist leer oder nicht angeschlossen.	Tauschen Sie die CO ₂ -Flasche aus oder schließen Sie sie korrekt an.
		Lassen Sie etwa 1 Liter Mineralwasser ab, wenn die CO ₂ -Flasche zuvor leer war.
		Überprüfen Sie die Verbindungsschläuche auf korrekten Einbau.
	Bei Verwendung einer externen CO ₂ -Flasche muss der Druckminderer auf 5 bar eingestellt werden.	
	Verwenden Sie ausschließlich handelsübliche CO ₂ -Flaschen mit 425 g und Trapezgewinde (TR 21×4).	
	Das Wasser wird nicht ausreichend gekühlt und kann daher nicht ausreichend CO ₂ aufnehmen.	Warten Sie, bis die Kühleinheit das Wasser ausreichend abgekühlt hat.
Der Druckminderer im Gerät ist defekt.	Kontaktieren Sie den Kundendienst.	

Fehler	Mögliche Ursache	Lösung
Das entnommene gekühlte und kohlenensäurehaltige Wasser ist zu warm.	Innerhalb kürzester Zeit wurde viel Wasser entnommen.	Warten Sie, bis die Kühleinheit das Wasser ausreichend abgekühlt hat.
	Die Kühlung ist defekt (Kompressor läuft nicht). Überhitzung des Geräts.	Kontaktieren Sie den Kundendienst. Sorgen Sie für ausreichende Belüftung in der Kabine und senken Sie die Umgebungstemperatur.
Das Gerät arbeitet mit geringerer Leistung.	Für den Wasserzulauf des Gerätes wird der Warmwasser-Netzanschluss genutzt.	Stellen Sie sicher, dass der Kaltwasser-Netzanschluss für den Zulauf des Gerätes verwendet wird.
Das Gerät lässt sich nicht einschalten.	Der Netzstecker ist nicht eingesteckt.	Stecken Sie den Netzstecker in eine FI-geschützte Steckdose.
	Der Netzstecker oder das Netzkabel ist beschädigt oder defekt.	Kontaktieren Sie den Kundendienst.
	Keine Stromversorgung.	Überprüfen Sie ggf. die Steckdosensicherung und den FI-Schutzschalter. Wenden Sie sich an Ihren Elektroinstallateur.
	Leckagesensor aktiv.	Trennen Sie das Gerät vom Stromnetz und wenden Sie sich an den Kundendienst.
	Softwareproblem.	Trennen Sie die Stromversorgung für mindestens 10 Sekunden und starten Sie das Gerät neu.
	Kurzschluss im Gerät.	Trennen Sie das Gerät vom Stromnetz und wenden Sie sich an den Kundendienst.
Der Reinigungsvorgang läuft nicht.	Reinigungsbecher nicht richtig installiert.	Drehen Sie den Reinigungsbecher mit ordentlich Kraft nach rechts, bis er sich nicht mehr festziehen lässt.
Das Gerät kann keine Verbindung zur App herstellen.	Die Konnektivität am Gerät ist deaktiviert.	Aktivieren Sie die Verbindung
Das Gerät zeigt einen unbekanntes Farbcode an.	Ausfall des Gerätes.	Trennen Sie die Stromversorgung für mindestens 10 Sekunden und starten Sie das Gerät neu.
		Kontaktieren Sie den Kundendienst.

Wenn Sie Ihre Störung oder den Defekt nicht beheben können, wenden Sie sich bitte an den Kundendienst, Installateur oder Händler von Franke.

Wartung

Allgemeine Wartung

- ▶ Reinigen Sie den Wasserhahn nur mit Franke Armaturen Reiniger. Besuchen Sie unseren Franke-Webshop.



Verwenden Sie keine Lösungsmittel- oder säurehaltigen Reinigungsmittel wie Kalklöser, Haushaltsessig oder essigsäurehaltige Reinigungsmittel. Diese Stoffe schädigen die Oberfläche. Der Wasserhahn wird matt und zerkratzt.



- ▶ Kalkablagerungen lassen sich verhindern, indem man den Wasserhahn nach Gebrauch abtrocknet.
- ▶ Sollten Kalkablagerungen auftreten, entfernen Sie diese mit einem Reinigungsmittel auf Zitronensäurebasis.
- ▶ Verwenden Sie für die Wartung oder Reparatur immer Originalteile von Franke. Dies gewährleistet die Sicherheit und ordnungsgemäße Funktion des Produkts und wahrt etwaige Gewährleistungsansprüche.
- ▶ Der Austausch oder die Reparatur von Teilen darf nur durch den Franke Service durchgeführt werden.

Reinigung

Aus hygienischen und gesundheitlichen Gründen muss der Franke Mythos Water Hub alle 6 Monate gereinigt werden. Wir empfehlen die Reinigung des Gerätes in folgender Reihenfolge:

1. Achten Sie beim Reinigungsvorgang darauf, dass der Wasserhahn korrekt über der Spüle ausgerichtet ist.
2. Entfernen Sie die vordere Abdeckung.
3. Ist ein Reinigungsvorgang erforderlich, leuchten die LEDs auf der Benutzeroberfläche auf.
4. Neigen Sie den Filterkopf nach vorne, drehen Sie die Filterkartusche um ca. 90 Grad nach links drehen und nach unten ziehen. Dadurch wird es vom Filterkopf entriegelt und kann entfernt werden.

Hinweis: Während dieses Vorgangs schalten sich die Zulauf- und Ablaufventile für gefiltertes Wasser im Filterkopf automatisch ab. Es kann vorkommen, dass aufgrund von Druckspitzen eine geringe Menge Ausdehnungswasser aus dem Filterkopf austritt. Bitte beachten Sie dies und stellen Sie einen geeigneten Behälter unter den Filterkopf.

5. Geben Sie eine Reinigungstablette (Franke empfiehlt „Bevi Tab Aqua“, Aqua-Reinigungstabletten) in den Reinigungsbecher. **Hinweis:** Die Verwendung alternativer Reinigungstabletten kann dazu führen, dass das Gerät nicht richtig gereinigt wird.
6. Setzen Sie den Reinigungsbecher in den Filterkopf ein und drehen Sie den Reinigungsbecher um ca. 90 Grad nach rechts drehen, bis es nicht mehr festgezogen werden kann. Kippen Sie den Filterkopf nach hinten.
7. Drücken Sie die Reinigungstaste (C)  am Gerät 5 Sekunden lang, bis die LED (C) blau blinkt, um das Reinigungsprogramm auszuführen.
8. Das Reinigungsprogramm dauert ca. 75 Minuten. In der Zwischenzeit wird auf der Benutzeroberfläche ein Countdown angezeigt. Zunächst leuchten alle LEDs blau und schalten sich dann schrittweise nacheinander aus. **Hinweis:** Unterbrechen Sie den Vorgang nicht durch Drücken einer Taste oder Abziehen des Gerätesteckers. Andernfalls bricht der Vorgang ab. Um das Gerät wieder betriebsbereit zu machen, muss ein 40-minütiges Spülprogramm gestartet werden. Drücken Sie dazu die Reinigungstaste (C) . Die drei Tasten auf der rechten Seite beginnen blau zu blinken. Wenn der Vorgang abgeschlossen ist, leuchten alle LEDs. Entfernen Sie vor dem Spülvorgang den Reinigungsbecher und setzen Sie eine Filterpatrone (neu oder eine gebrauchte mit Restfiltergültigkeit) ein.
9. Nach dem Reinigungsprogramm leuchten die LEDs auf der Benutzeroberfläche.
10. Neigen Sie den Filterkopf nach vorne, drehen Sie den Reinigungsbecher um ca. 90 Grad nach links drehen und nach unten ziehen. Dadurch wird es vom Filterkopf entriegelt und kann entfernt werden. **Hinweis:** Während dieses Vorgangs schalten sich die Zulauf- und Ablaufventile für gefiltertes Wasser im Filterkopf automatisch ab. Es kann vorkommen, dass aufgrund von Druckspitzen eine geringe Menge Ausdehnungswasser aus dem Filterkopf austritt. Bedenken Sie dies und stellen Sie einen geeigneten Behälter unter den Filterkopf.

Hinweis: Der Reinigungsbecher wird für den regulären Reinigungsvorgang benötigt und muss aufbewahrt werden.

11. Setzen Sie die Filterkartusche (neu oder eine gebrauchte mit Restfiltergültigkeit) in den Filterkopf ein und drehen Sie die Filterkartusche um ca. 90 Grad nach rechts drehen, bis es nicht mehr festgezogen werden kann. Kippen Sie den Filterkopf nach hinten.
12. Nachdem eine gültige Filterkartusche eingesetzt wurde, drücken Sie kurz (<2 s) die Filtertaste (B) am Gerät. Die LEDs auf der Benutzeroberfläche leuchten auf.
13. Bringen Sie die vordere Abdeckung an.



Es wird empfohlen, den Ventilator des Geräts einmal im Jahr mit einer Bürste oder einem Staubsauger zu reinigen.

Perlator zum Entkalken

Verwenden Sie immer ein Entkalkungsmittel auf Zitronensäurebasis. Andere Stoffe schädigen das Material!

Das Lösen und Festziehen kann erleichtert werden, indem ein Gummiband um die Perlator des Wasserhahnsprudlers gewickelt wird. Achten Sie darauf, dass die Hülse des Wasserhahnsprudlers

durch den Einsatz von Werkzeugen nicht beschädigt wird.

Auf und neben dem Strahlregler bilden können sich Kalkablagerungen.

- ▶ Schrauben Sie die Hülse des Wasserhahnsprudlers ab.
- ▶ Reinigen Sie den Wasserhahnsprudler mit einem geeigneten Entkalkungsmittel.
- ▶ Setzen Sie den Strahlregler in die Hülse ein.
- ▶ Legen Sie die Dichtung auf den Strahlregler und schrauben Sie die Hülse handfest fest.

Überprüfen Sie die Details im „Installationshandbuch“, Seite 13.

Instandsetzung

Das Gerät darf nur von Franke oder von durch Franke geschultem Fachpersonal repariert werden. Das Öffnen des Franke Mythos Water Hub durch unqualifiziertes Personal führt zum Erlöschen der Garantie.

Um einen sicheren Betrieb zu gewährleisten, verwenden Sie nur die vom Hersteller angegebenen Ersatzteile. Andernfalls erlischt jeglicher Gewährleistungs- und Haftungsanspruch gegenüber dem Hersteller.

Filterbetrieb und -austausch

Eine zuverlässige Systemfunktion kann nur dann erreicht werden, wenn die Filterpatrone regelmäßig ausgetauscht wird. Die Wechselzyklen richten sich nach der Anwendung und dem damit verbundenen Wasserverbrauch.



Wir empfehlen, die Filterpatrone je nach Nutzung spätestens nach 12 Monaten auszutauschen.

Wenn der Filter nicht ausgetauscht wird, erlischt die Garantie.



Wird das Gerät länger als vier Wochen nicht benutzt, muss die Filterpatrone ausgetauscht werden.

Eine Wiederaufbereitung gebrauchter Filterpatronen ist nicht möglich. Gebrauchte Filterpatronen können gefahrlos im Hausmüll entsorgt werden.


Schritte zum Filteraustausch

Wir empfehlen, die Filterpatrone in der folgenden Reihenfolge auszutauschen (siehe Details in der „Installationsanleitung“, Seite 12):

1. Stellen Sie sicher, dass der Wasserhahn korrekt über dem Waschbecken ausgerichtet ist.
2. Entfernen Sie die vordere Abdeckung.
3. Wenn eine neue Filterpatrone erforderlich ist, leuchten die LEDs auf der Benutzeroberfläche auf.
4. Neigen Sie den Filterkopf nach vorne, drehen Sie die Filterkartusche um ca. 90 Grad nach links drehen und nach unten ziehen. Dadurch wird es vom Filterkopf entriegelt und kann entfernt werden.

Hinweis: Während dieses Vorgangs schalten sich die Zulauf- und Ablaufventile für gefiltertes Wasser im Filterkopf automatisch ab. Es kann vorkommen, dass aufgrund von Druckspitzen

eine geringe Menge Ausdehnungswasser aus dem Filterkopf austritt. Bitte beachten Sie dies und stellen Sie einen geeigneten Behälter unter den Filterkopf.

5. Setzen Sie die Filterkartusche in den Filterkopf ein und drehen Sie die Filterkartusche um ca. 90 Grad nach rechts drehen, bis es nicht mehr festgezogen werden kann. Kippen Sie den Filterkopf nach hinten.
6. Das Gerät arbeitet nur mit einem Franke RFID-Filter, sonst funktioniert es nicht mehr. Filtertaste (B) 
7. Nach dem Filterwechsel erkennt das Gerät den neuen Filter und die rote Taste am Gerät wird grün. Der Drehknopf am Wasserhahn geht in den Bereitschaftsmodus (weiße LED).
8. Bringen Sie die vordere Abdeckung an.

Filtereinstellung für Wasserhärte

- ▶ Knopf 10 Sek. gedrückt halten. Die LED beginnt zu blinken.
- ▶ Zur Einstellung der entsprechenden Wasserhärte nach hinten drehen.
- ▶ Taste 2 Sek. drücken. zur Auswahlbestätigung. LED blinkt 3x kurz zur Einstellungsbestätigung.

LED Farbe	Warnungen zum Filterwechsel
Orange	1 Monat vor Filterwechsel leuchtet LED konstant orange (50 %), am Ende der Laufzeit LED orange pulsierend
Rot/Orange	Kein Filter/RFID-Tag nicht erkannt

Betrieb und Austausch der CO₂-Flasche

Nachdem ca. 60 Liter kohlensäurehaltiges Wasser entnommen wurden, wird der Wasserstrahl schwächer und der Kohlendioxidgehalt geringer. Unterhalb von 3 bar zeigt das Gerät auf der Tastatur und am Hahn ein Signal zum Austausch der CO₂-Flasche an.

Bei völliger Entleerung kann kein kohlensäurehaltiges Wasser aus dem Gerät entnommen werden.



Das System unterstützt CO₂-Flaschen ohne Zusatzgeschmack mit 425 g und einem Trapezgewinde. Es ist mit den Standardflaschen kompatibel, die auf den wichtigsten Marktplätzen erhältlich sind.

- ▶ CO₂-Flaschen dürfen nur von autorisiertem Personal gewartet oder repariert werden.

Am Ende seiner Lebensdauer, wenn beispielsweise die Versiegelung nicht ausreicht, muss es vor Ort gemäß den geltenden Vorschriften entsorgt oder besser über das örtliche Flaschenpfandsystem zurückgegeben werden.

Schritte zum Austausch der CO₂-Flasche

Wir empfehlen, die CO₂-Flasche in der folgenden Reihenfolge auszutauschen (siehe Details in der „Installationsanleitung“, Seite 12):

1. Entfernen Sie die vordere Abdeckung.
2. Wird eine neue CO₂-Flasche benötigt, leuchten die LEDs auf der Benutzeroberfläche auf.
3. Kippen Sie den CO₂-Anschluss nach vorne und schrauben Sie die gebrauchte CO₂-Flasche

durch eine Linksdrehung langsam ab. Dadurch wird es vom CO₂-Druckminderventil entriegelt und kann entfernt werden.

Hinweis: Die leere CO₂-Flasche kann zum Nachfüllen an Ihrer örtlichen Rückgabestation zurückgegeben werden.

4. Nehmen Sie die neue CO₂-Flasche aus der Verpackung und prüfen Sie den CO₂-Flaschenkopf auf etwaige Schäden.
5. Entfernen Sie die Schutzkappe von der neuen CO₂-Flasche und schrauben Sie die CO₂-Flasche mit einer Rechtsdrehung in das CO₂-Druckminderventil ein, bis sie sich nicht mehr festziehen lässt. Kippen Sie den CO₂-Anschluss nach hinten.

Hinweis: Es ist wichtig, dass die CO₂-Flasche gut festgezogen wird, damit eine dichte Abdichtung entsteht. Möglicherweise entweicht etwas Gas und es ist ein zischendes Geräusch zu hören. Ziehen Sie weiter fest, bis es nicht mehr weiter geht. Es darf kein Gasaustritt mehr zu hören sein.

6. Sobald die CO₂-Flasche montiert ist, leuchten die LEDs auf der Benutzeroberfläche grün.
7. Bringen Sie die vordere Abdeckung an.

LED Farbe	Warnhinweise zum Wechsel der CO ₂ -Flasche
Grün	Bei einem Druck < 3 bar pulsiert die LED grün.

De-Installation

Wir empfehlen, das Produkt in der folgenden Reihenfolge zu entfernen (siehe Details in der „Installationsanleitung“, Seite 14):

1. Stellen Sie sicher, dass der Wasserhahn korrekt über dem Waschbecken ausgerichtet ist.
2. Ziehen Sie das Netzkabel ab.
3. Schalten Sie die Wasserversorgung ab und schließen Sie die Eckventile.
4. Entfernen Sie die vordere Abdeckung.
5. Kippen Sie den CO₂-Anschluss nach vorne und schrauben Sie die gebrauchte CO₂-Flasche durch eine Linksdrehung langsam ab. Dadurch wird es vom CO₂-Druckminderventil entriegelt und kann entfernt werden.
6. Bringen Sie die vordere Abdeckung an.
7. Trennen Sie das Kommunikationskabel (D), den flexiblen Wasserschlauch (6, blaue Markierung) und den Schaftadapter (11) am Ende des Wasseranschlusses (C) des Geräts.



Warnung: Verbrühungsgefahr! Das Sicherheitsventil (3) mit dem flexiblen Wasserschlauch (5, rote Markierung) darf niemals vom Gerät getrennt werden!

8. (Nur für All-in-One-Gerät) Demontieren Sie das Sicherheitsventil (3) von der Wand und trennen Sie den Expansionswasser-Ablaufschlauch (2).
9. Das Gerät mit dem angeschlossenen Sicherheitsventil kann nun sicher aus dem Schrank entnommen werden.



Hinweis: Der Franke Mythos Water Hub muss immer in einer geeigneten Verpackung transportiert werden. Wird ein Gerät an Franke zurückgesendet, muss es ohne CO₂-Flasche versendet werden.

Entsorgung



Das Symbol auf dem Produkt oder auf der Verpackung weist darauf hin, dass das Gerät **nicht** im Hausmüll entsorgt werden darf.

Durch die ordnungsgemäße Entsorgung des Geräts tragen Sie dazu bei, schädliche Folgen für Umwelt und Gesundheit zu vermeiden. Weitere Informationen zum Recycling des Gerätes erhalten Sie bei der zuständigen Behörde, dem örtlichen Entsorgungsdienstleister oder beim Händler des Gerätes.

Entsorgen Sie das zu entsorgende Gerät über eine spezialisierte Sammelstelle für elektronische und elektrische Geräte.

Gemäß dem Artikel des Gesetzesdekrets Nr. 15 vom 25. Juli, Umsetzung der Richtlinie 2002/96/EG zur Reduzierung der Verwendung gefährlicher Stoffe in Elektro- und Elektronikgeräten und bei der Abfallentsorgung.

Das Symbol der durchgestrichenen Mülltonne auf dem Gerät weist darauf hin, dass das Produkt am Ende seiner Lebensdauer nicht über den Hausmüll entsorgt werden darf.

Wenn das Gerät das Ende seiner Lebensdauer erreicht hat, muss der Benutzer es daher zu einer geeigneten Recyclingstelle für elektronische und elektrotechnische Abfälle bringen oder es beim Kauf eines neuen Geräts gleichwertigen Typs an den Händler zurückgeben.

Die ordnungsgemäße getrennte Abfallsammlung des Altgeräts zur anschließenden Wiederverwertung, Behandlung und umweltfreundlichen Entsorgung trägt dazu bei, potenziell negative Auswirkungen auf die Umwelt und die Gesundheit zu verhindern und erleichtert das Recycling der beim Gerätebau verwendeten Materialien.

Table des matières

À propos de ce manuel	51
Informations sur la sécurité	51
Informations sur le produit	56
Vue d'ensemble	57
Franke Mythos Water Hub	59
Outils nécessaires à l'installation	60
Installation	61
Points généraux pour l'installation	61
Étapes de l'installation	61
Procédure de démarrage	62
Fonctionnement du robinet	63
Fonctionnement du bouton électronique	63
Sélection de l'intensité des LED	64
Interface utilisateur	65
Dépannage	66
Entretien	69
Entretien général	69
Nettoyage	69
Aérateur de robinet de détartrage	70
Réparations	70
Fonctionnement et remplacement du filtre	70
Fonctionnement et remplacement de la bouteille de CO₂	71
Retrait du produit	72
Élimination	72

À propos de ce manuel

Ce manuel contient des informations importantes sur l'installation et la mise en service sûres et correctes du produit.

FRANKE se réserve le droit d'apporter des modifications au produit sans préAttention. Toutes les informations sont correctes au moment de l'émission.

- ▶ Lisez attentivement le manuel d'utilisation avant d'utiliser l'appareil.

- ▶ Conservez le manuel d'utilisation.
- ▶ L'appareil décrit dans ce manuel ne doit être utilisé que pour l'usage auquel il est destiné.

Symbole	Signification
	Symbole d'avertissement. Avertissement contre les risques de blessures.
	Mesures à prendre. Spécifie une action à effectuer.



Informations sur la sécurité

Utilisation prévue

- Installez le produit comme décrit dans ce manuel et conformément aux règles d'installation, de sécurité et d'approvisionnement en eau locales en vigueur
- Le système est conçu pour être utilisé à l'intérieur d'une cuisine privée dans les ménages, généralement dans l'environnement de la cuisine. Il peut également être utilisé dans des lieux semi-publics, tels que la cuisine du personnel dans les magasins, les bureaux ou d'autres établissements commerciaux, si les limites de performance sont respectées.
- L'utilisateur est responsable de tous les besoins de nettoyage et d'entretien.
- Toute utilisation dépassant l'usage prévu est considérée comme une utilisation abusive.

Utilisation non intentionnelle

- L'installation de Franke Mythos Water Hub n'est pas autorisée :
 - Dans les zones où il existe un risque accru de contamination, par exemple dans les

environnements poussiéreux, non ventilés ou humides, ou autour des portes et des fenêtres.


- Sur des surfaces inégales ou inclinées ou à proximité immédiate des toilettes.
- Dans les voies d'évacuation.
- Directement à côté d'une source de chaleur, par exemple un radiateur (à une distance d'au moins 20 cm) et dans les zones exposées à la lumière directe du soleil pendant une longue période.
- Dans des endroits qui rendent le nettoyage et l'entretien de l'appareil difficiles.
- Dans les endroits dépourvus d'une ventilation suffisante.
- En plein air.

Limitation de la responsabilité

- La responsabilité pour les défauts ne couvre pas l'usure normale ou les dommages causés par une manutention défectueuse ou négligente, une surutilisation, un équipement inadapté ou des influences extérieures particulières qui ne correspondent pas à l'utilisation prévue.

- En outre, Franke ne peut être tenue responsable des dommages ou blessures résultant des éléments suivants :
 - Mauvaise installation.
 - Non-respect des instructions et des informations de sécurité contenues dans ce manuel.
 - Entretien et/ou installation par du personnel non qualifié.
 - Entretien inadéquat (en particulier absence de changement et de nettoyage réguliers du filtre).
 - Modifications non autorisées.
 - Modifications techniques.
 - Utilisation de pièces de rechange non recommandées par le fabricant.
 - Utilisation de pièces supplémentaires non autorisées par le fabricant.
- L'utilisateur est responsable de l'installation, de l'entretien et de l'utilisation corrects du produit. La garantie est annulée si le produit et/ou les composants électriques sont endommagés à la suite d'un montage incorrect, d'une utilisation incorrecte ou de tout autre type d'abus.

Notes de sécurité

 **Avertissement** : Le circuit de refroidissement de l'appareil contient un réfrigérant exempt de CFC. Il est inflammable et peut fuir si le circuit de refroidissement est endommagé !

- Assurez-vous qu'aucune pièce appartenant au circuit de refroidissement n'est endommagée.
- Si le circuit de refroidissement est endommagé, évitez les feux ouverts et les sources d'inflammation et assurez une bonne ventilation.
- Ne pas brancher un appareil défectueux sur le secteur.

 **Avertissement** : L'inhalation de CO₂ présente un danger de mort par asphyxie !

- La taille minimale de la pièce dans laquelle le système est installé doit être d'au moins 5 m². Si la pièce a une hauteur de plafond inférieure à 2 m, cette valeur augmente.
- Si des bouteilles plus grandes sont utilisées, l'espace libre au sol doit être proportionnel au volume.
- L'utilisation d'une bouteille de CO₂ externe relève de la responsabilité de l'utilisateur.

 **Avertissement** : Pièces sous tension à l'intérieur de l'appareil !

- L'appareil ne peut être ouvert que par du personnel formé et qualifié.
- Installez le produit comme décrit dans ce manuel et conformément aux règles d'installation, de sécurité et d'approvisionnement en eau locales en vigueur.
- N'utilisez pas le produit à des fins autres que celles pour lesquelles il a été conçu, comme décrit dans ce manuel.
- Les modifications dans ou sur l'appareil ne sont autorisées que par Franke ou par un personnel qualifié formé par Franke.
- Pour garantir un fonctionnement sûr, n'utilisez que les pièces de rechange spécifiées par le fabricant. Dans le cas contraire, toute garantie ou responsabilité à l'encontre du fabricant sera annulée.
- Cet appareil n'est pas destiné à être utilisé par des personnes (y compris des enfants) dont les capacités physiques, sensorielles ou mentales sont réduites, à moins qu'elles ne soient surveillées ou instruites dans son utilisation par une personne responsable de leur sécurité.
- Cet appareil peut être utilisé par des enfants à partir de 8 ans et par des personnes dont les capacités physiques, sensorielles ou mentales sont réduites ou qui manquent d'expérience et de connaissances, à condition qu'elles aient été supervisées ou qu'elles aient reçu des

instructions concernant l'utilisation de l'appareil en toute sécurité et qu'elles comprennent les risques encourus. Le nettoyage et l'entretien par l'utilisateur ne doivent pas être effectués par des enfants sans surveillance.


- Les enfants doivent être surveillés afin de s'assurer qu'ils ne jouent pas avec l'appareil.
- Tenir la fiche et le câble hors de portée des enfants.
- Les personnes qui ne connaissent pas encore le Mythos Water Hub de Franke doivent apprendre à l'utiliser en toute sécurité et être informées des risques potentiels liés notamment à l'utilisation du robinet d'eau bouillante.
- Pour les personnes immunodéprimées ou les bébés, il est généralement recommandé de faire bouillir l'eau. Lors de l'utilisation d'un filtre avec décalcification (filtre Pro M Connect), l'eau dans le filtre sera enrichie en sodium et peut causer des problèmes aux personnes sensibles au sodium ou aux bébés. En cas de besoin ou de doute, contactez un médecin ou le service clientèle.
- Restrictions d'utilisation pour les personnes vulnérables : Selon les recommandations de la Société allemande d'hygiène hospitalière et de l'Institut Robert Koch, il est déconseillé de boire de l'eau provenant de distributeurs d'eau dans les établissements de soins et les maisons de retraite, en raison d'éventuelles déficiences immunitaires des patients dues à la maladie, à la thérapie ou à l'âge. De même, la consommation d'eau du robinet et donc l'utilisation d'eau provenant de distributeurs d'eau potable sont généralement à éviter pour les personnes souffrant d'un déficit immunitaire.
- L'appareil est conçu pour fonctionner à l'intérieur d'une pièce fermée (généralement une cuisine), par exemple sous un évier. Il ne peut être raccordé qu'à une source d'eau dont la qualité de l'eau potable est constante, conformément aux spécifications locales. Dans les réseaux d'eau potable équipés de rinceurs sous pression, les variations de pression peuvent entraîner des problèmes de pression de sortie.
- L'appareil ne peut être raccordé qu'à un réseau électrique protégé par un disjoncteur de fuite à la terre.
- Utilisez toujours le jeu de tuyaux fourni avec l'appareil. La version actuelle, disponible dans l'installation, ne peut pas être réutilisée.
- En cas de modification de la qualité de l'eau dans l'installation domestique due à des travaux de construction dans le bâtiment, l'utilisateur doit s'assurer que l'appareil est nettoyé et désinfecté avant de le remettre en service. Tout débris (par exemple des particules de rouille) provenant de la conduite d'eau peut nuire au fonctionnement de l'appareil et doit être évité.
- Sur le lieu d'installation, le Franke Mythos Water Hub doit être protégé des dommages mécaniques, de la chaleur et de la lumière directe du soleil, des flammes nues et du risque de gel.
- Le dispositif doit être placé en position verticale.
- Brancher la fiche sur une prise de courant conforme à la réglementation en vigueur, située dans un endroit accessible.
- Pour les appareils de classe I, vérifiez que l'alimentation électrique domestique garantit une mise à la terre adéquate.
- L'appareil nécessite un renouvellement permanent de l'air afin d'éviter que le site d'installation ne se réchauffe à cause de l'air chaud évacué. Une ouverture dans le panneau arrière de l'armoire ou une


ouverture similaire dans la plaque de base doit être prévue.

- Le câble d'alimentation doit être posé de manière à ne pas être endommagé. Si le câble ou la fiche sont endommagés, ils doivent être remplacés par un spécialiste. Si le câble de signal vers le robinet est endommagé, le robinet complet doit être remplacé.
- Un câble d'alimentation endommagé doit être remplacé par un câble identique par Franke ou par un personnel qualifié formé par Franke.
- Vérifier les tuyaux d'alimentation du robinet et de l'appareil une fois par an. Une fuite à ces endroits entraînera immédiatement un dégât des eaux. Si nécessaire, contactez le service clientèle.
- Toutes les bouteilles de CO₂ standard sans arôme supplémentaire avec un volume de 425 g et un filetage trapézoïdal (TR 21×4) peuvent être utilisées dans l'appareil. La surface d'étanchéité de la bouteille de CO₂ doit être propre et exempte de rayures ou de bosses. Lors du vissage de la bouteille, veillez toujours à ce qu'elle soit bien ajustée. Lors du vissage, il peut y avoir un léger sifflement et une petite quantité de CO₂ peut s'échapper, ce qui est normal.
- Les bouteilles de CO₂ sont sous pression. Protégez-les d'une surchauffe due à la lumière directe du soleil ou à d'autres sources de chaleur. Stocker la bouteille de CO₂ dans un environnement où les bouteilles ne peuvent pas être chauffées. En cas d'utilisation d'une bouteille de CO₂ externe, les instructions du fournisseur doivent être strictement suivies. La bouteille de CO₂ ne doit jamais être posée horizontalement.
- Si du CO₂ s'échappe dans la pièce, aérez-la et laissez-la un certain temps pour assurer un apport suffisant d'air frais. Même la quantité totale contenue dans une bouteille de 425 g n'est pas suffisante

pour atteindre des concentrations mortelles dans l'air si elle s'échappe.

- Si vous transportez l'appareil, la bouteille de CO₂ doit être désinstallée.
- N'utilisez pas d'eau osmosée ou d'eau hautement filtrée dans le système. Cela peut entraîner des problèmes dans le contrôle du niveau.
- Il est interdit de faire fonctionner le Water Hub Franke Mythos sans filtre Connect. Si Franke Mythos Water Hub est raccordé à une alimentation en eau avec un adoucisseur d'eau et que la dureté de l'eau est inférieure à 7 °dKH, un filtre à eau douce (filtre Franke Clear Water Connect) peut être utilisé à la place d'un filtre standard avec détartrage (filtre Franke Pro M Connect).


 **Attention :** N'utilisez jamais d'outils dentelés afin d'éviter tout dommage. Le cas échéant, utilisez toujours les outils appropriés pour serrer l'accouplement.

 Conservez toujours les étiquettes de sécurité et les notes sur le produit dans un état lisible. Remplacez immédiatement les étiquettes et les notes de sécurité endommagées !


- Sur le lieu d'installation, le Franke Mythos Water Hub doit être protégé des dommages mécaniques, de la chaleur et de la lumière directe du soleil, des flammes nues et du risque de gel.
- Les éviers en carrelage et en pierre ne résistent pas à l'eau bouillante ; la différence de température peut les fissurer. Ouvrez toujours le robinet d'eau froide lorsque vous versez de l'eau bouillante et versez de préférence l'eau bouillante directement dans l'égoût.
- En raison de l'amélioration constante de nos produits et/ou systèmes, les illustrations de ce document peuvent différer de l'appareil tel qu'il est livré.

- Si elle est disponible, vous pouvez télécharger la dernière version du manuel sur notre site web : www.franke.com

Cartouche filtrante

 L'utilisation d'un filtre Franke est obligatoire pour protéger le produit contre les dépôts de calcaire. Il est obligatoire de changer le filtre en fonction du tableau de dureté de l'eau.

- Après avoir été stocké à une température de 0 °C, le filtre doit d'abord être stocké pendant 24 heures à température ambiante avant d'être installé.
- La cartouche filtrante ne doit pas être ouverte ou endommagée.
- La cartouche filtrante et le système doivent être rincés intensivement après une période d'arrêt prolongée et/ou pendant les travaux d'entretien (2 litres d'eau de rinçage après 1 semaine d'arrêt ; 10 litres d'eau de rinçage après 4 semaines d'arrêt).

 La cartouche filtrante doit être remplacée si, après la mise en service, elle n'a pas été utilisée pendant 3 mois.

Déclaration de conformité

Le fabricant déclare que cet appareil doté de la fonctionnalité radio sans fil est conforme à la directive 2014/53/UE.

Le texte complet de la déclaration UE de conformité est disponible sur le lien suivant en recherchant le code produit :

<https://www.franke.com/en/product-documentation/>

Ce code se trouve sur l'étiquette située à l'intérieur du produit.

Bandes de fréquence	Puissance transmise maximale
2,4 GHz	100 mW max.

Déclaration de conformité PSTI

Le fabricant déclare que ce produit est conforme aux exigences de sécurité applicables de l'annexe 1 du règlement de 2023 sur la sécurité des produits et l'infrastructure des télécommunications (exigences de sécurité pour les produits connectables pertinents) (« exigences de sécurité »).

La déclaration de conformité (SOC) peut être consultée au lien suivant :

<https://catalog.franke.com/franke/psti/water-hub/>



Conditions nécessaires

L'appareil ne peut être raccordé qu'à un réseau d'eau dont la qualité de l'eau potable est constante, conformément aux spécifications locales, et dont la pression d'écoulement est constante, entre 1 et 10 bars, à une température de l'eau comprise entre 5°C et 30°C. La température ambiante doit être comprise entre 10°C et 32°C (indice climatique : SN) avec une humidité relative de l'air de max. 75 % et une altitude d'installation maximale de 2 000 m au-dessus du niveau de la mer.

Garantie

Scannez le code QR pour accéder aux directives de garantie :



Informations sur le produit

Franke Mythos Water Hub Sparkling peut filtrer, refroidir et gazéifier l'eau du robinet. Il offre la possibilité d'obtenir de l'eau filtrée, réfrigérée et gazeuse à partir d'un seul robinet. Mythos Water Hub All-in-One peut également faire bouillir l'eau du robinet. Il offre la possibilité d'obtenir de l'eau filtrée, bouillante, réfrigérée et gazeuse à partir d'un seul robinet.

Caractéristiques du produit

Filtre

Pour assurer une bonne qualité de l'eau et protéger le produit contre les dépôts de calcaire, un filtre doit être raccordé au Franke Mythos Water Hub. Le filtre réduit les odeurs indésirables et les impuretés dans l'eau potable avant qu'elle ne soit distribuée au moyen d'un processus d'écoulement. Le mitigeur filtre les ions de métaux lourds tels que le plomb, le cuivre et le cadmium. Le charbon actif intégré réduit la turbidité indésirable, les impuretés organiques, les odeurs et les saveurs ainsi que les résidus de chlore dans le filtrat. Selon le degré de minéralisation et de dureté de l'eau locale, il convient d'utiliser un autre type de filtre.

Capacité

Franke Mythos Water Hub est équipé d'une bouteille de CO₂ de 425 g qui délivre environ 60 litres d'eau gazeuse. En option, une bouteille de CO₂ externe peut être ajoutée pour les demandes plus importantes. Dans ce cas, le détendeur de la bouteille de CO₂ externe doit être réglé à 5 barss. La pression d'entrée de l'appareil ne doit jamais dépasser 6 barss. Le réservoir de l'appareil contient 2,2 litres d'eau réfrigérée, 0,6 litre d'eau gazeuse et 4 litres supplémentaires d'eau bouillie sous pression. Le débit varie en fonction de la pression de l'eau et du type de robinet. Lorsque de l'eau réfrigérée ou gazeuse est distribuée, le Franke Mythos Water Hub se remplit immédiatement d'eau froide du robinet.

Méthode de refroidissement

La température de l'eau gazeuse dépend de la température de l'eau refroidie dans le réservoir. La plage de température de l'eau réfrigérée et gazeuse est ajustée en interne sur la température optimale.

Méthode d'ébullition (uniquement pour le système Franke Mythos Water Hub All-in-One)

La température de l'eau bouillante peut être réglée entre 80, 90 à 100 °C. Si la température est réglée

sur 105°C, le volume du robinet est d'environ 2,6 litres au-dessus de 99°C. Pour des quantités de production plus élevées, la température de l'eau chaude sera plus basse car l'eau froide s'écoule dans la chaudière pendant le processus de tirage de l'eau et commence à se mélanger à l'eau chaude.



Le Franke Mythos Water Hub n'a pas de sortie d'eau bouillante séparée pour le raccordement d'un mitigeur. Si l'installation domestique ne dispose pas d'une alimentation principale en eau chaude pouvant être directement raccordée au robinet, il n'est pas possible de tirer de l'eau chaude en réglant le mitigeur sur le robinet. La température de l'eau bouillante peut également être réglée entre 80, 90 et 100 °C à l'aide de l'application.

Gazéification

La teneur en CO₂ de l'eau gazeuse est d'environ 5,0 à 5,5 g/l dans des conditions optimales. Cette valeur ne peut être ajustée, mais un mélange avec de l'eau réfrigérée est possible pour obtenir un degré de carbonatation plus faible. Après le retrait de l'eau gazeuse, il y a un court passage d'eau plate réfrigérée pour évacuer le CO₂ restant dans la canalisation. Cette fonction empêche le robinet de goutter, ce qui est physiquement dû à l'expansion du CO₂.

Mode vacances

Un mode vacances peut être activé. Le dispositif réduit donc la température d'ébullition à 60°C et la température de l'eau réfrigérée et gazeuse à 15°C.

Remarque : Le goût et l'aspect de l'eau conditionnée dépendent de nombreux facteurs tels que le degré de minéralisation et de dureté de l'eau du robinet locale.

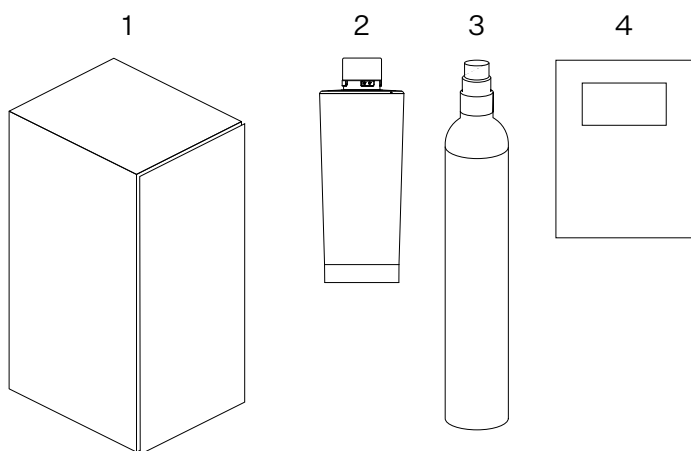
Remarque : Il est normal que le robinet goutte un peu, surtout si l'on utilise de l'eau gazeuse.

Remarque : Si vous partez en vacances pendant plus de deux semaines, il est recommandé d'éteindre l'appareil. Pour ce faire, il suffit de débrancher l'appareil ou de le faire passer en mode vacances.

Remarque : Si aucune eau conditionnée n'est distribuée pendant environ 14 jours, nous recommandons de rincer toutes les options d'eau conditionnée (filtrée, filtrée/réfrigérée, filtrée/réfrigérée/gazéifiée, filtrée/bouillante) pendant une minute chacune. Cela permet de remplir le réservoir avec de l'eau fraîche et de garantir une qualité d'eau optimale.

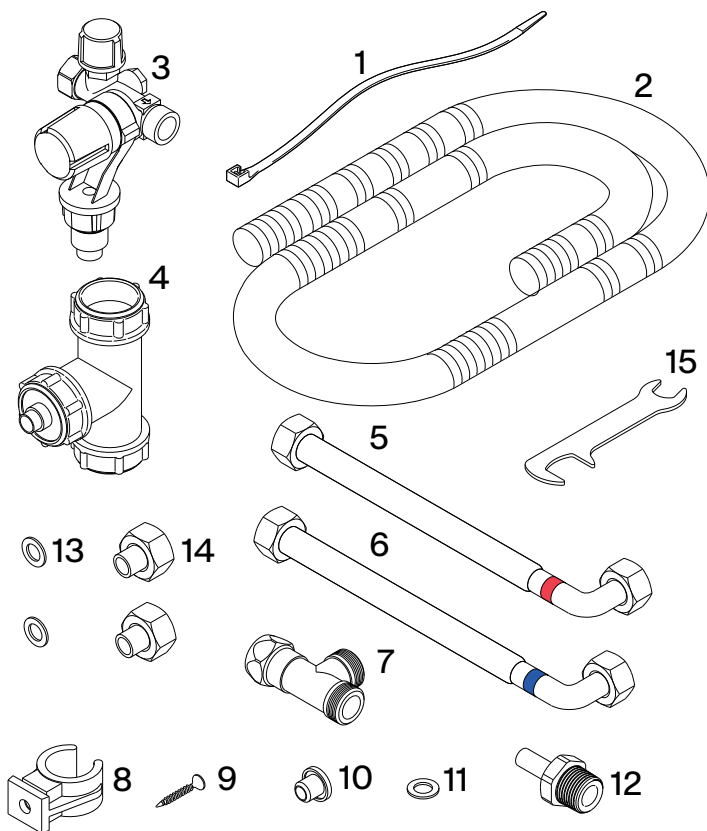
Vue d'ensemble

Le package de Franke Mythos Water Hub contient es composants suivants :



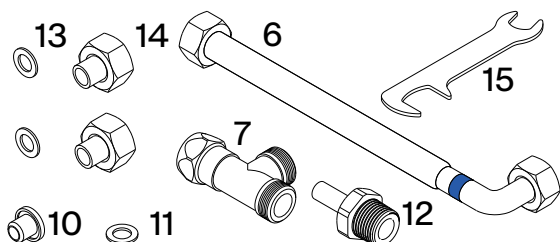
1. Dispositif
2. Cartouche de filtre à eau
3. Bouteille de CO₂
4. Kit d'installation

Contenu du Mythos Water Hub All-in-One

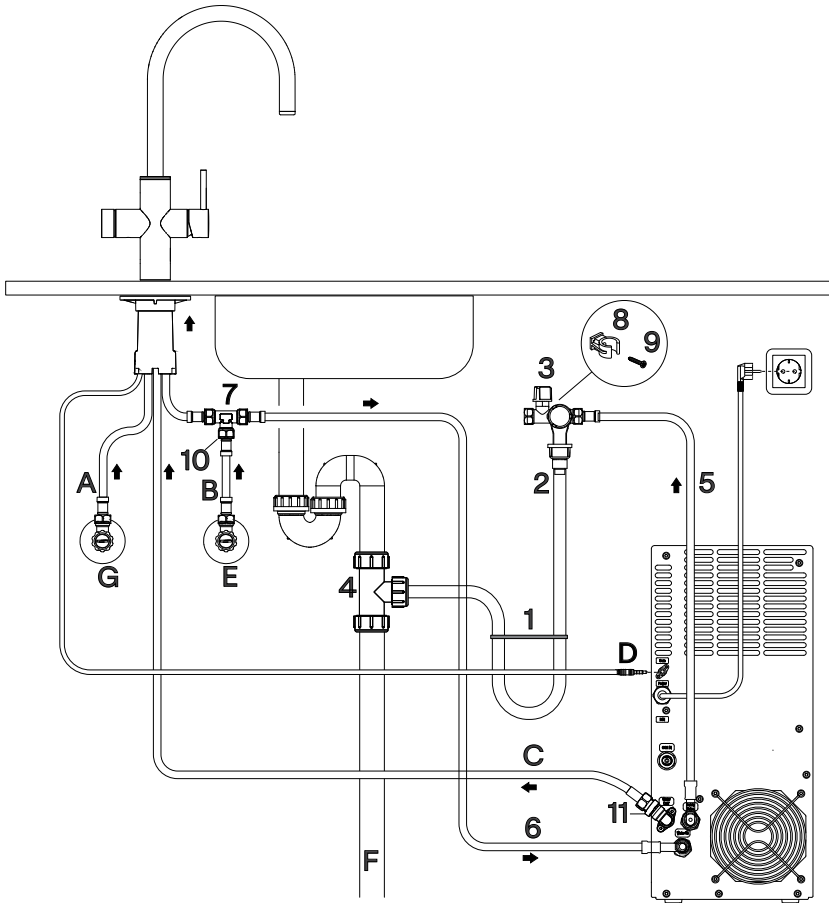


1. Attache
2. Tuyau d'eau de dilatation
3. Soupape de sécurité entrée/ sortie à plat
4. Drainage du joint en T
5. Tuyau d'eau flexible (étiquette rouge, 1 m, M15, G1/2")
6. Tuyau d'eau flexible (étiquette bleue, 1 m, G3/8", G3/8")
7. Pièce en T 3/8
8. Pince 20/22 mm
9. Visserie 4 x 25 pc.
10. Filtre à chapeau en métal UE
11. Joint plat G3/8
12. Adaptateur de tige ASA 0806M
13. Joint plat G1/2" (uniquement pour la version UK)
14. Adaptateur 1/2"F - 3/8"M (uniquement pour la version UK)
15. Clé à fourche pour tôle 20/13 mm

Mythos Water Hub - Contenu Sparkling



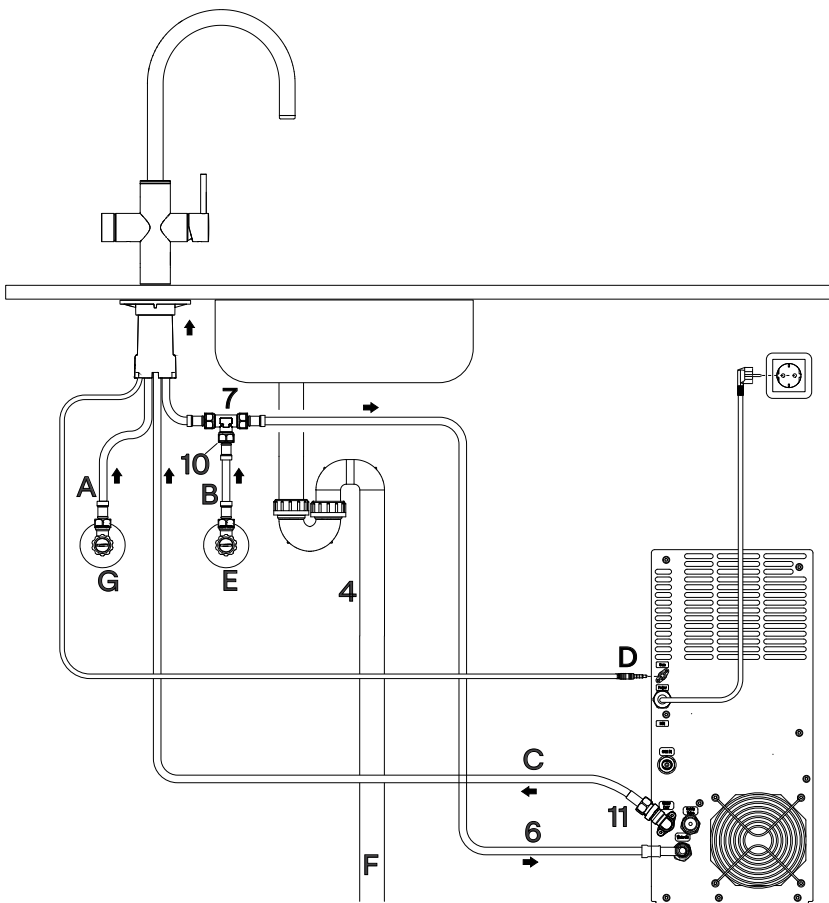
Mythos Water Hub - All in One



- A Eau chaude du robinet
- B Eau froide du robinet
- C Eau filtrée au robinet
- D Câble de communication
- E Installation d'une maison d'eau froide
- F Installation d'une maison de drainage
- G Installation du système d'évacuation

1. Attache
2. Tuyau d'eau de dilatation
3. Soupape de sécurité entrée/sortie à plat
4. Drainage du joint en T
5. Tuyau d'eau flexible (étiquette rouge, 1 m, M15, G1/2")
6. Tuyau d'eau flexible (étiquette bleue, 1 m, G3/8", G3/8")
7. Pièce en T 3/8
8. Pince 20/22 mm
9. Visserie 4 x 25 pc.
10. Filtre à chapeau en métal UE
11. Adaptateur de tige ASA 0806M

Mythos Water Hub - Sparkling



Franke Mythos Water Hub

Le Franke Mythos Water Hub ne peut être connecté qu'à des robinets électroniques conçus par Franke avec une version logicielle compatible. Vérifiez les détails dans le « Manuel d'installation », page 6.

Connexions

Pour l'installation du Franke Mythos Water Hub, il est nécessaire de disposer d'un raccordement à l'eau et d'un circuit électrique séparé protégé par un disjoncteur de fuite de terre (GFCI), avec un raccordement au réseau approprié et un fusible d'au moins 10 A et une tension d'alimentation permanente de 220-240 VCA / 50 Hz. Les vannes d'angle doivent être déjà installées.

Spécifications générales

Types de distribution d'eau	Eau réfrigérée filtrée
	Eau gazeuse filtrée
	Eau ambiante filtrée
	Eau bouillante filtrée
Fonctionnement	Fonctionnement par robinet électronique
Paramétrage	Paramétrage via une application (BLE)
Dimensions minimales d'installation	Hauteur > 440 mm
	Largeur > 200 mm
	Profondeur ≥ 550 mm
Poids net (vide)	20 kg
Poids net (rempli)	27 kg
Tension d'alimentation	220-240 VCA / 50 Hz
Charge	7,5 A
Fiche	Version UE = Type 303A selon CEE7 Version UK = Type G / BS 1363 britannique 3 broches
Consommation électrique maximale	All in One : 1 725 W (±10 %) Sparkling : 230 W
Consommation en veille	All in One : 19 W (refroidissement et ébullition en marche) Sparkling : 5.5 W (refroidissement en marche)
Niveau de pression acoustique (à l'arrêt)	37 ± 4 dB en mode opérationnel 0 dB en mode veille
Indice de protection IP	IPx1
Certifications	CE-UKCA

Eau réfrigérée filtrée

Volume du réservoir	2,2 l
Principe de refroidissement	configuration du réservoir dans le réservoir
Plage de contrôle de la température	environ 4-10°C, non réglable
Débit sans compensateur	environ 2,5 l/min à 3 bars
Temps de refroidissement	ΔT = 10 K en 8 minutes (de 20°C à 10°C) (25°C à 5°C : environ 35 minutes)

Eau gazeuse filtrée

Volume du réservoir	0,6 l
Principe de refroidissement	configuration du réservoir dans le réservoir
Carbonatation	système de gazéification avec pompe d'injection
Plage de contrôle de la température	environ 4-10°C, non réglable
Débit	environ 2 l/min à 3 bars
Niveau de carbonatation	teneur approximative en CO ₂ 5,0-5,5 g/l

Eau bouillante filtrée (uniquement All in One)

Volume du réservoir	4.0 l, chaudière pressurisée
Plage de contrôle de la température	80 / 90/ 100°C, réglable via l'application
Débit	Environ 2 l/min à 3 bars
Temps d'ébullition	15°C à 100°C : environ 15 minutes
Classe d'efficacité énergétique pour le chauffage de l'eau	A

Filtre (voir le manuel d'instructions inclus)

Type de filtre	Filtre de protection (filtre Franke Pro M Connect ou filtre Franke Clear Water)
Diamètre de la cartouche filtrante	95 mm
Hauteur de la cartouche filtrante	245 mm
Tête de filtre	Baïonnette
Capacité du filtre	Environ 1 700 litres à 10°dH

Outils nécessaires à l'installation

- 1 × clé de 24 mm,
- 1 × clé de 22 mm,
- 1 × clé de 20 mm,
- 1 × clé de 19 mm,
- 1 × clé de 13 mm,
- couteau à tapis,
- tournevis cruciforme (ou tournevis et embout PZ),
- scie à main,
- ruban à mesurer,
- crayon.

En fonction de l'infrastructure existante, des outils supplémentaires peuvent être nécessaires, par exemple un tournevis à fente pour la vanne d'angle.



N'utilisez jamais d'outils dentelés afin d'éviter tout dommage. Le cas échéant, utilisez toujours les outils appropriés pour serrer l'accouplement.

Propreté et hygiène pendant l'installation

Lors de l'installation, il faut absolument éviter de contaminer les parties contenant de l'eau (par exemple, les joints, les raccords de tuyaux, les filetages, etc. Il est recommandé de se nettoyer soigneusement les mains et d'éviter tout contact de la peau avec les surfaces qui seront ultérieurement en contact avec l'eau potable.

Installation

Points généraux pour l'installation

Placement du distributeur d'eau Franke Mythos

Veillez à ce que le caisson de cuisine soit suffisamment spacieuse et facilement accessible pour les travaux d'entretien et de maintenance. Il doit y avoir suffisamment d'espace à l'arrière de l'appareil pour que l'air chaud de l'évacuation puisse s'échapper (min. 5-10 cm). C'est pourquoi Franke recommande une profondeur de min. 550 mm, une largeur de min. 200 mm et une hauteur de min. 440 mm pour le caisson.

Ventilation du caisson de cuisine

Pour une bonne performance du Franke Mythos Water Hub, le caisson de cuisine dans lequel l'appareil est installé doit être suffisamment ventilée. Il faut donc prévoir une ouverture d'environ 20 x 40 cm (800 cm²) dans le panneau arrière du caisson ou des ouvertures similaires dans la plaque de base avec un dégagement d'au moins 5 cm par rapport au sol et sur les côtés.

Nous recommandons d'installer le Franke Mythos Water Hub dans l'ordre suivant :

1. Préparer l'installation.
2. Installer la soupape de sécurité (uniquement pour l'unité All in One).
3. Raccorder l'alimentation en eau.
4. Connecter le dispositif.



Installer la soupape de surpression le plus haut possible dans le caisson de cuisine (uniquement pour l'appareil « All in One »).



Lors de l'installation, serrez soigneusement chaque connexion.

Étapes de l'installation



Lors du transport du Franke Mythos Water Hub vers le lieu d'installation, du liquide de refroidissement a pu s'écouler dans les conduites. Pour s'assurer que le liquide de refroidissement s'est écoulé, l'appareil ne peut être mis en marche qu'après une pause d'au moins 2 heures.

Remarque : L'installation peut être préparée, mais l'alimentation électrique de l'appareil ne doit pas être activée à ce stade.

Vérifier les détails dans le « Manuel d'installation », page 3-10.

Préparer l'installation (uniquement pour l'unité All in One) (« Manuel d'installation », page 3-6)

1. Vérifier que toutes les conditions d'installation sont remplies, par exemple l'espace, les connexions, etc.
2. Couper l'alimentation en eau et fermer les vannes d'angle. S'il n'y en a pas, marquez la connexion existante pour l'eau froide et l'eau chaude.
3. Installer le robinet.

Installer la soupape de sécurité (uniquement pour l'unité All in One) (« Manuel d'installation », page 6-7)

1. Le robinet d'arrêt de la soupape de sécurité (3) doit être fermé. Vérifier en tournant le robinet vers la droite. La soupape de détente du groupe de sécurité est étalonnée en usine à 8 bars.
Attention : Pour des raisons de sécurité, de l'eau peut s'échapper de la conduite de purge lors de l'échauffement en cours de fonctionnement.
2. Raccorder le tuyau d'eau flexible (5, étiquette rouge) à la soupape de sécurité (3).
Attention : Installer le groupe de sécurité dans le sens inverse du flux indiqué par la flèche au dos du groupe de sécurité.
3. Raccorder le tuyau d'eau d'expansion (2) à la soupape de sécurité (3).
Attention : Assurez-vous que le tuyau est complètement inséré et qu'il n'y a pas d'espace entre la soupape de sécurité et le tuyau d'où l'eau pourrait s'écouler.
4. Monter la soupape de sécurité (3) au point le plus haut sous le pont dans l'armoire et visser l'agrafe (9).
Attention : La soupape de sécurité (3) doit être placée bien au-dessus du raccordement à l'égout. Cela permet de s'assurer que l'eau s'écoule uniquement dans l'égout et non dans le groupe de sécurité. La distance jusqu'à l'appareil doit être < 1 m pour utiliser le tuyau d'eau flexible fourni.
5. Raccorder l'évacuation en T (4) à l'évacuation. Raccorder l'autre extrémité du tuyau d'eau de dilatation (2) à l'orifice de vidange en T (4).

Attention : Le drain de la soupape de sécurité doit être placé après le siphon. Si nécessaire, le tuyau d'expansion peut être raccourci à l'aide d'un couteau. Veillez à ce que le bord de la coupe soit droit. Veillez à ce que le tuyau soit complètement inséré.

Attention : Former un sas d'eau avec le tuyau d'expansion (2) et le fixer à l'aide de l'attache (1).

Raccorder l'alimentation en eau (« Manuel d'installation », page 7-8)

1. Raccorder la pièce en T (7) et le filtre à chapeau (10) à l'installation d'eau froide (E) et au raccord d'eau froide (B).
Pour le Royaume-Uni : connecter l'adaptateur (18-19) entre l'installation d'eau froide (E) et la pièce en T (7).
Attention : Il est extrêmement important d'installer le filtre à chapeau.
2. Connecter le tuyau d'eau flexible (6, étiquette bleue) à la pièce en T (7).
3. Branchez le raccord d'eau chaude (A) du robinet à l'installation d'eau chaude (G).
Pour le Royaume-Uni : connecter l'adaptateur (18-19) entre l'installation d'eau froide (E) et la pièce en T (7).
4. Connecter le raccord de l'unité (C) du robinet à l'adaptateur de la tige (11).

Connecter le Franke Mythos Water Hub (« Manuel d'installation », page 8)

1. Raccorder le tuyau d'eau flexible (6, étiquette bleue) à l'appareil (connexion « entrée d'eau »).
2. Raccorder le tuyau d'eau flexible (5, étiquette rouge) à l'appareil (connexion « soupape de sécurité »).
Attention : Assurez-vous que le tuyau ne bloque aucune autre connexion.
3. Connecter l'adaptateur de tige (11) à l'appareil (connexion « sortie d'eau »).
Attention : Assurez-vous que le tuyau ne bloque aucune autre connexion.
4. Connecter le câble de communication (D) du robinet à l'appareil (connexion « Com »).
Attention : Assurez-vous que la fiche est complètement insérée.
Attention : Vérifiez qu'il y a suffisamment de place pour tous les composants et que les tuyaux ne sont pas pliés, tordus ou serrés. Ils doivent être acheminés sans coude. Ne placez pas de prises multiples ou de blocs d'alimentation portables à l'arrière de l'appareil.

Installation du filtre (« Manuel d'installation », page 9-10)

1. Retirer le couvercle avant.
2. Pour retirer la coupelle de nettoyage, inclinez la tête du filtre vers l'avant et tournez la coupelle de nettoyage d'environ 90 degrés vers la gauche.
Attention : La coupelle de nettoyage est nécessaire pour la procédure de nettoyage régulière et doit être conservée.
3. Insérez la cartouche filtrante dans la tête de filtre et tournez la cartouche filtrante d'environ 90 degrés vers la droite jusqu'à ce qu'elle ne puisse plus être serrée. Inclinez la tête du filtre vers l'arrière.
4. Ne pas installer tout de suite la bouteille de CO₂.
5. Ouvrir le robinet d'arrivée d'eau, ouvrir les vannes d'équerre et vérifier l'étanchéité de l'installation. L'eau ne doit fuir d'aucun point.

Remarque : il est recommandé d'utiliser uniquement un filtre avec une étiquette RFID (c'est-à-dire un filtre Pro M Connect), sinon l'appareil cessera de fonctionner.

Procédure de démarrage



Lors de la mise en service, le Franke Mythos Water Hub doit être rincé une fois, ce qui se fait automatiquement pendant le processus.

Pour préparer l'appareil à l'utilisation, il est recommandé de le mettre en marche dans l'ordre suivant :

1. Veillez à ce que le robinet soit correctement aligné au-dessus de l'évier.
2. Vérifier le raccordement de l'eau froide et de l'eau chaude à l'aide de la poignée manuelle pour s'assurer que l'alimentation en eau fonctionne.
3. Branchez le cordon d'alimentation.
Attention : Assurez-vous que le cordon d'alimentation n'est pas plié, coincé ou endommagé.
4. Le premier processus de démarrage dure environ 20 secondes.
Attention : N'interrompez pas le processus en appuyant sur un bouton ou en débranchant l'appareil.
5. Après le démarrage de l'appareil, les diodes électroluminescentes du robinet s'allument. Appuyez brièvement (<2 secondes) sur la touche Reset / Standby de l'appareil pour lancer le premier programme de rinçage.
6. Le premier programme de rinçage dure environ 5 à 6 minutes.

Attention : N'interrompez pas le processus en appuyant sur un bouton ou en débranchant l'appareil. Dans le cas contraire, un redémarrage complet est nécessaire. L'appareil doit être débranché et le processus doit être relancé à partir de l'étape 3.

- Après le premier programme de rinçage, les diodes électroluminescentes sur le bouton s'allument.

Attention : Le robinet doit déjà être rempli d'eau, c'est-à-dire que le rinçage initial doit avoir été effectué avant d'activer l'alimentation en CO₂.

Installation de la bouteille de CO₂ (« Manuel d'installation », page 12)

- Retirer le capuchon de protection de la bouteille de CO₂, incliner le raccord de CO₂ vers l'avant et visser la bouteille de CO₂ dans le détendeur de CO₂ en la tournant vers la droite jusqu'à ce

qu'elle ne puisse plus être serrée. Incliner le raccord CO₂ vers l'arrière.

Attention : La bouteille de CO₂ doit être bien serrée de manière à former un joint étanche. Une partie du gaz peut s'échapper et un sifflement peut être entendu. Continuez à serrer jusqu'à ce qu'elle ne puisse plus aller plus loin. On ne doit plus entendre de gaz s'échapper.

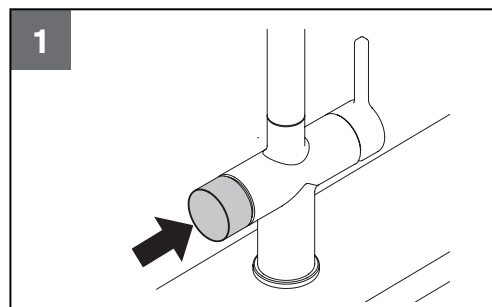
- Une fois la bouteille de CO₂ assemblée, les LED de l'interface utilisateur s'allumeront en passant du rouge au vert.
- Installer le couvercle avant.
- L'appareil se refroidit et se réchauffe pendant environ 25 minutes, après quoi il est prêt à l'emploi.

Attention : La qualité finale de la gazéification sera établie après quelques jours d'utilisation du produit.

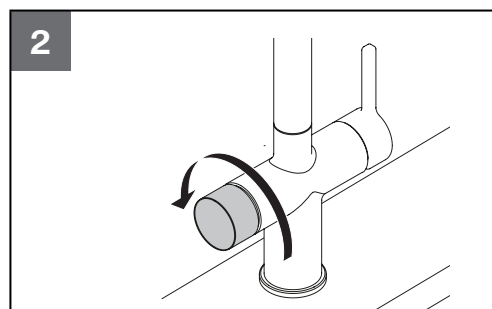
Fonctionnement du robinet

Fonctionnement du bouton électronique

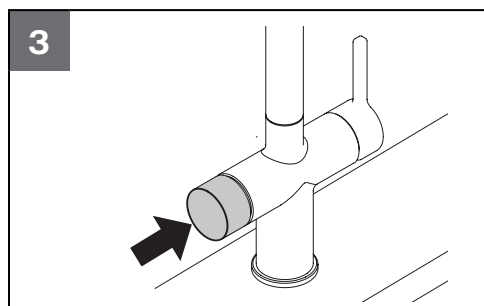
- Le bouton électrique en mode veille ne réagit pas au mouvement rotatif.
- Pour activer le bouton électronique, appuyer brièvement sur 1x (fig. 1).



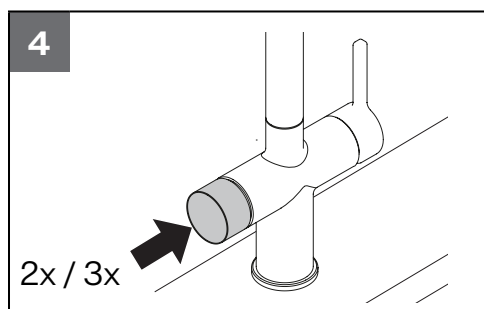
- Tournez le bouton électronique vers l'avant ou vers l'arrière pour choisir le type d'eau désiré - la couleur de la LED change en fonction du mouvement (fig. 2).



- Pour un débit continu de l'eau choisie, maintenir le bouton électronique enfoncé (fig. 3). Arrêt : Relâcher le bouton.



- Pour choisir la quantité d'eau 0,5, 1 ou 2 litres, appuyez brièvement sur le bouton électronique selon les informations du tableau ci-dessous (fig. 4). Arrêt : Appuyer brièvement sur 1x.



- Tenir l'objet à remplir près du robinet de manière à ce que l'objet entoure l'aérateur du robinet. Cela empêchera les éclaboussures d'eau.

Couleur de la LED	Fonction	Fonctionnement				Affichage àLED
		Appuyer	Appuyer et maintenir	Appuyer 2x	Appuyer 3x	
Blanc	Mode veille*	Activer le bouton en appuyant sur 1x LED			-	Lumières
Rouge	Eau bouillante		Écoulement continu de l'eau jusqu'à ce que l'on relâche le bouton	1 l de débit d'eau (interruption par une pression supplémentaire)	2 l de débit d'eau (interruption par une pression supplémentaire)	
Bleu	Eau réfrigérée filtrée					
Turquoise	Eau filtrée					Fonctionnement
Vert	Eau « pétillante » réfrigérée		Écoulement continu de l'eau jusqu'à ce que l'on relâche le bouton	0,5 l de débit d'eau (interruption par une pression supplémentaire)	1 l de débit d'eau (interruption par une pression supplémentaire)	
Vert clair	Eau réfrigérée « pétillante » « moyenne » réglable via l'application					

*Pas de fonction avec le mouvement rotatif

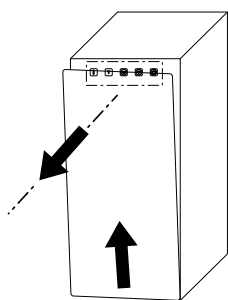
Sélection de l'intensité des LED

Après 60 secondes de non-utilisation, le robinet passe automatiquement en mode sommeil, avec une intensité LUMINEUSE de 50 %.

Pour modifier le réglage du mode sommeil, vous devez suivre les instructions ci-dessous.

1. Activer le robinet en appuyant une fois sur le bouton électronique.
2. Appuyer 5 fois sur le bouton électronique.
3. La LED commence à clignoter.
4. Tournez le bouton vers l'avant ou vers l'arrière pour obtenir le réglage souhaité :
 1. 50 % d'intensité, par défaut,
 2. 10 % d'intensité,
 3. Arrêt complet.
5. Appuyez sur le bouton électronique pendant 2 secondes pour confirmer. La LED clignote 3 fois pour confirmation.

Interface utilisateur



- A. Niveau de CO₂
- B. Durée d'exécution du filtre
- C. Nettoyage
- D. Connectivité
- E. Réinitialisation / Mode vacances



Niveau de CO₂

LED d'état	Signification
Fixe : Vert	CO ₂ > 3 bars
Clignotant : Rouge	CO ₂ < 3 bars / bouteille de CO ₂ vide



Connectivité

LED d'état	Signification
Fixe : Blanc	Connexion active
Clignotant : Bleu	Mode d'appariement de la connexion



Durée d'exécution du filtre

(uniquement pour les filtres avec étiquette RFID)

LED d'état	Signification
Fixe : Vert	Temps de filtration restant > 10 %
Clignotant : Rouge	Temps de filtration restant ≤ 10 %
Fixe : Rouge	Durée de filtration restante ≤ 0 % ou dernier changement de filtre > 6-12 mois en fonction de la dureté de l'eau, c'est-à-dire qu'un changement de filtre est nécessaire

Franke Mythos Water Hub peut être connecté à l'application mobile Franke @Home.

- ▶ Pour la première connexion à l'application mobile, appuyez sur le bouton pendant 5 secondes jusqu'à ce que toutes les LED clignotent en bleu et suivez les instructions de l'application.



Réinitialisation / Mode vacances

LED d'état	Signification
Fixe : Vert	Mode de fonctionnement actif
Clignotant : Vert	Redémarrage de l'appareil
Clignotant : Rouge	Mode vacances activé

- ▶ Pour réinitialiser / redémarrer l'appareil, appuyez sur le bouton pendant 5 secondes.
- ▶ Pour démarrer le mode vacances, appuyez brièvement sur le bouton pendant moins de 2 secondes.
- ▶ Pour sortir l'appareil du mode vacances, appuyez sur n'importe quel bouton.



Nettoyage

LED d'état	Signification
Fixe : Vert	Pas de nettoyage nécessaire
Clignotant : Bleu (compte à rebours)	Processus de nettoyage en cours

Franke Mythos Water Hub peut être connecté à l'application mobile Franke @Home.

- ▶ Pour la première connexion à l'application mobile, appuyez sur le bouton pendant 5 secondes jusqu'à ce que toutes les LED clignotent en bleu et suivez les instructions de l'application.



En cas d'erreur, tous les boutons clignotent en rouge.

Débranchez l'alimentation électrique pendant au moins 10 secondes et redémarrez l'appareil. Si cela ne suffit pas, veuillez contacter le service clientèle.

Application Franke @Home

Avec l'application Franke @Home, il est possible de surveiller l'état du Franke Mythos Water Hub et de personnaliser les paramètres de fonctionnement (par exemple la température de l'eau bouillante).

Magasin d'applications



Google Play



Dépannage

Défaut	Cause possible	Solution
Fuite d'eau au niveau du robinet	Le tuyau de raccordement de l'eau froide/chaude est desserré.	Serrer à l'aide d'une clé à molette.
	Le tuyau de raccordement du joint d'union eau froide/eau chaude est défectueux ou endommagé.	Remplacer le joint.
Fuite d'eau au niveau du raccordement à l'égout	La profondeur d'insertion est trop faible ou le tuyau n'a pas été coupé droit.	Vérifier la profondeur d'insertion du tuyau et de l'arête de coupe.
	Installation en angle de la soupape de sécurité.	Vérifier que la soupape de sécurité est installée horizontalement et qu'il n'y a pas d'écart avec le tuyau de vidange.
Fuite d'eau au niveau des connexions de l'appareil	Le tuyau de raccordement de l'eau froide/chaude/conditionnée est desserré.	Serrer à l'aide d'une clé à molette.
	Le tuyau de raccordement du joint d'union de l'eau froide/chaude/conditionnée est défectueux ou endommagé.	Remplacer le joint.
Fuite d'eau au niveau d'un tuyau	Tuyau fragile ou cassé.	Remplacer le tuyau qui fuit.
Fuite d'eau dans l'appareil	Fuite dans l'appareil.	Débranchez l'appareil et contactez le service clientèle.
La soupape de sécurité fuit	Expansion lors du chauffage de l'eau.	Pas de panne, fonctionnement normal.
	Chute continue due à la saleté.	Actionner manuellement le bouton de la soupape de détente pour éliminer les particules de saleté.
		Remplacer la soupape de sécurité.

Défaut	Cause possible	Solution
Bruits de sifflement de l'appareil	La bouteille de CO ₂ n'est pas correctement serrée.	Tourner la bouteille de CO ₂ vers la droite avec une force décente jusqu'à ce qu'il ne puisse plus être serré. Utiliser une nouvelle bouteille de CO ₂ car la surface d'étanchéité risque d'être endommagée.
	Le réducteur de pression interne est défectueux ou endommagé.	Contactez le service clientèle.
Le robinet ne fournit pas d'eau	Les vannes d'angle de l'installation d'alimentation en eau sont fermées.	Ouvrez les vannes d'angle, vérifiez le fonctionnement de l'eau chaude et de l'eau froide.
	Le robinet d'eau principal est fermé.	Ouvrir le robinet d'eau principal.
	Les tuyaux sont pliés.	Redresser les tuyaux pliés.
	Le robinet est bouché.	Inspectez le robinet et nettoyez l'aérateur.
L'eau filtrée, réfrigérée, gazeuse ou bouillante ne peut pas être tirée	Le filtre n'est pas installé correctement.	Tourner la cartouche filtrante vers la droite avec une force décente jusqu'à ce qu'elle ne puisse plus être serrée.
	Pas de connexion entre le robinet et l'appareil.	Branchez fermement le connecteur du câble de communication.
	Le kit d'installation est mal installé.	Vérifier l'installation correcte du kit d'installation.
L'eau bouillante ne peut pas être puisée	L'appareil a été utilisé sans filtre dans les régions où la teneur en calcaire de l'eau potable est élevée.	Contactez le service clientèle.
	La chaudière est défectueuse.	Contactez le service clientèle.
Le robinet délivre du CO ₂ à la place de l'eau	La pompe haute pression est défectueuse.	Contactez le service clientèle.
L'eau puisée ne contient pas ou peu de CO ₂	La bouteille de CO ₂ est vide ou non raccordée.	Remplacer ou raccorder correctement la bouteille de CO ₂ . Vider environ 1 litre d'eau gazeuse si la bouteille de CO ₂ était vide auparavant.
		Vérifier que les tuyaux de raccordement sont correctement installés.
		En cas d'utilisation d'une bouteille de CO ₂ externe, le détendeur doit être réglé à 5 bars.
		N'utiliser que des bouteilles de CO ₂ standard de 425 g avec un filetage trapézoïdal (TR 21×4).
	L'eau n'est pas suffisamment refroidie et ne peut donc pas absorber suffisamment de CO ₂ .	Attendez que l'unité de refroidissement ait refroidi l'eau jusqu'à un niveau suffisant.
	Le réducteur de pression de l'appareil est défectueux.	Contactez le service clientèle.

Défaut	Cause possible	Solution
L'eau réfrigérée et gazeuse puisée est trop chaude	Une grande quantité d'eau a été puisée en très peu de temps.	Attendez que l'unité de refroidissement ait refroidi l'eau jusqu'à un niveau suffisant.
	Le refroidissement est défectueux (le compresseur ne fonctionne pas).	Contactez le service clientèle.
	Surchauffe de l'appareil.	Assurer une ventilation suffisante de la cabine et réduire la température ambiante.
L'appareil fonctionne de manière moins performante	Le raccordement au réseau d'eau chaude est utilisé pour l'arrivée d'eau de l'appareil.	Veillez à ce que le raccordement au réseau d'eau froide soit utilisé pour l'entrée de l'appareil.
L'appareil ne peut pas être mis en marche	La fiche secteur n'est pas insérée.	Insérez la fiche secteur dans une prise murale protégée par un disjoncteur de fuite à la terre.
	La fiche ou le câble d'alimentation est endommagé ou défectueux.	Contactez le service clientèle.
	Pas d'alimentation électrique.	Vérifiez le fusible de la prise, le cas échéant, et le disjoncteur de fuite à la terre. Contactez l'installateur de votre système électrique.
	Capteur de fuite actif.	Débranchez l'appareil et contactez le service clientèle.
	Problème de logiciel.	Débranchez l'alimentation électrique pendant au moins 10 secondes et redémarrez l'appareil.
	Court-circuit dans l'appareil.	Débranchez l'appareil et contactez le service clientèle.
Le processus de nettoyage n'est pas en cours	La coupelle de nettoyage n'est pas installée correctement.	Tournez la coupelle de nettoyage vers la droite avec une force décente jusqu'à ce qu'elle ne puisse plus être serrée.
L'appareil ne peut pas se connecter à l'application	La connectivité de l'appareil est désactivée.	Activer la connexion
L'appareil affiche un code couleur inconnu	Défaillance de l'appareil.	Débranchez l'alimentation électrique pendant au moins 10 secondes et redémarrez l'appareil.
		Contactez le service clientèle.

Si vous n'arrivez pas à gérer votre dysfonctionnement ou votre défaut veuillez contacter le service après-vente, l'installateur ou le revendeur Franke.

Entretien

Entretien général

- ▶ Nettoyez le robinet uniquement avec le nettoyant pour robinet Franke. Visitez notre boutique en ligne Franke.



N'utilisez pas de produits de nettoyage contenant un solvant ou un acide, tels que les produits anticalcaires, le vinaigre ménager ou les produits de nettoyage contenant de l'acide acétique. Ces substances endommagent la surface. Le robinet devient mat et rayé.

- ▶ Les dépôts de calcaire peuvent être évités en séchant le robinet après utilisation.
- ▶ Si des dépôts de calcaire se forment, éliminez-les à l'aide d'un produit de nettoyage à base d'acide citrique.
- ▶ Pour l'entretien ou la réparation, utilisez toujours des pièces d'origine Franke. Cela permet de garantir la sécurité et le bon fonctionnement du produit et d'éviter toute réclamation au titre de la garantie.
- ▶ Le remplacement ou la réparation des pièces ne peut être effectué que par le service après-vente de Franke.

Nettoyage


Pour des raisons d'hygiène et de santé, le Franke Mythos Water Hub doit être nettoyé tous les 6 mois. Nous recommandons de nettoyer l'appareil dans l'ordre suivant :

1. Veillez à ce que le robinet soit correctement aligné au-dessus de l'évier pendant le processus de nettoyage.
2. Retirer le couvercle avant.
3. Si un processus de nettoyage est nécessaire, les LED de l'interface utilisateur s'allument.
4. Inclinez la tête du filtre vers l'avant, tournez la cartouche filtrante d'environ 90 degrés vers la gauche et tirez-la vers le bas. Cela le déverrouillera de la tête du filtre et permettra de le retirer.


Attention : Au cours de ce processus, les vannes d'alimentation en eau du robinet et d'évacuation de l'eau filtrée de la tête de filtre se ferment automatiquement. Il peut arriver qu'une petite quantité d'eau de dilatation s'échappe de la tête de filtre en raison de pics de pression. Gardez cela à l'esprit et placez un récipient approprié sous la tête de filtre.

5. Insérez une tablette de nettoyage (Franke recommande d'utiliser « Bevi Tab Aqua », tablettes de nettoyage aquatiques) dans le gobelet de nettoyage.
Attention : L'utilisation d'autres pastilles de nettoyage peut entraîner un nettoyage incorrect de l'appareil.

6. Insérez la coupelle de nettoyage dans la tête de filtre et tournez la coupelle de nettoyage d'environ 90 degrés vers la droite jusqu'à ce qu'elle ne puisse plus être serrée. Inclinez la tête du filtre vers l'arrière.

7. Appuyez sur le bouton de nettoyage (C)  de l'appareil pendant 5 secondes jusqu'à ce que la LED (C) clignote en bleu pour lancer le programme de nettoyage.

8. Le programme de nettoyage dure environ 75 minutes. Entre-temps, un compte à rebours sera visible sur l'interface utilisateur. Toutes les LED s'allument d'abord en bleu puis s'éteignent progressivement une à une.

Remarque : N'interrompez pas le processus en appuyant sur un bouton ou en débranchant l'appareil. Sinon, le processus sera interrompu. Pour que l'appareil soit à nouveau prêt à l'emploi, un programme de rinçage de 40 minutes doit être lancé. Pour cela, appuyez sur le bouton Nettoyage (C) . Les trois boutons sur le côté droit commencent à clignoter en bleu. Une fois le processus terminé, toutes les LED s'allument. Avant le processus de rinçage, retirez le gobelet de nettoyage.

Avant le processus de rinçage, retirez la coupelle de nettoyage et insérez une cartouche filtrante (neuve ou usagée avec une validité de filtre restante).

9. Après le programme de nettoyage, les LED de l'interface utilisateur s'allument.
10. Inclinez la tête du filtre vers l'avant, tournez la coupelle de nettoyage d'environ 90 degrés vers la gauche et tirez-la vers le bas. Cela le déverrouillera de la tête du filtre et permettra de le retirer.

Attention : Au cours de ce processus, les vannes d'alimentation en eau du robinet et d'évacuation de l'eau filtrée de la tête de filtre se ferment automatiquement. Il peut arriver qu'une petite quantité d'eau de dilatation s'échappe de la tête de filtre en raison de pics de pression. Gardez cela à l'esprit et placez un récipient approprié sous la tête de filtre.

Attention : La coupelle de nettoyage est nécessaire pour la procédure de nettoyage régulière et doit être conservée.

11. Insérez la cartouche filtrante (neuve ou usagée avec une validité de filtre restante) dans la tête de filtre et tournez la cartouche filtrante d'environ 90 degrés vers la droite jusqu'à ce qu'elle ne puisse plus être serrée. Inclinez la tête du filtre vers l'arrière.
12. Après l'insertion d'une cartouche filtrante valide, appuyez brièvement (<2 secondes) sur le bouton filtre (B) de l'appareil. Les LED de l'interface utilisateur s'allument.
13. Installer le couvercle avant.



Il est recommandé de nettoyer le ventilateur de l'appareil une fois par an à l'aide d'une brosse ou d'un aspirateur.

Aérateur de robinet de détartrage

Utilisez toujours un détartrant à base d'acide citrique. D'autres substances endommagent le matériau !

Le desserrage et le serrage peuvent être facilités en enroulant un élastique autour du manchon de

l'aérateur de robinet. Veillez à ce que le manchon de l'aérateur de robinet ne soit pas endommagé par l'utilisation d'outils.

Des dépôts de calcaire apparaissent sur et à côté de l'aérateur du robinet.

- ▶ Dévisser le manchon de l'aérateur de robinet.
- ▶ Nettoyez l'aérateur du robinet à l'aide d'un détartrant approprié.
- ▶ Placer l'aérateur de robinet dans le manchon.
- ▶ Placez le joint sur l'aérateur de robinet et vissez le manchon à la main.

Vérifiez les détails dans le « Manuel d'installation », page 13.

Réparations

L'appareil ne doit être réparé que par Franke ou par du personnel qualifié formé par Franke. L'ouverture du Franke Mythos Water Hub par du personnel non qualifié annule la garantie.

Pour garantir un fonctionnement sûr, n'utilisez que les pièces de rechange spécifiées par le fabricant.

Dans le cas contraire, toute garantie ou responsabilité à l'encontre du fabricant sera annulée.

Fonctionnement et remplacement du filtre

Un fonctionnement fiable du système n'est possible que si la cartouche filtrante est remplacée régulièrement. Les cycles de changement dépendent de l'application et de la consommation d'eau associée.



Nous recommandons de remplacer la cartouche filtrante au plus tard tous les 12 mois, en fonction de l'utilisation.

Le fait de ne pas remplacer le filtre annule la garantie.



Si l'appareil n'est pas utilisé pendant plus de quatre semaines, la cartouche filtrante doit être remplacée.

Le retraitement des cartouches filtrantes usagées n'est pas possible. Les cartouches filtrantes usagées peuvent être éliminées sans risque avec les ordures ménagères.

Étapes du remplacement du filtre


Nous recommandons de remplacer la cartouche filtrante dans l'ordre suivant (voir les détails dans

le « Manuel d'installation », page 12):

1. Veillez à ce que le robinet soit correctement aligné au-dessus de l'évier.
2. Retirer le couvercle avant.
3. Si une nouvelle cartouche filtrante est nécessaire, les LED de l'interface utilisateur s'allument.
4. Inclinez la tête du filtre vers l'avant, tournez la cartouche filtrante d'environ 90 degrés vers la gauche et tirez-la vers le bas. Cela le déverrouillera de la tête du filtre et permettra de le retirer.

Attention : Au cours de ce processus, les vannes d'alimentation en eau du robinet et d'évacuation de l'eau filtrée de la tête de filtre se ferment automatiquement. Il peut arriver qu'une petite quantité d'eau de dilatation s'échappe de la tête de filtre en raison de pics de pression. Gardez cela à l'esprit et placez un récipient approprié sous la tête de filtre.
5. Insérez la cartouche filtrante dans la tête de filtre et tournez la cartouche filtrante d'environ

90 degrés vers la droite jusqu'à ce qu'elle ne puisse plus être serrée. Inclinez la tête du filtre vers l'arrière.

6. L'appareil fonctionne uniquement avec un filtre Franke RFID, sinon l'appareil cessera de fonctionner.
Bouton Filtre (B) 
7. Une fois le filtre remplacé, l'appareil reconnaît le nouveau filtre et le bouton rouge de l'appareil devient vert. Le bouton du robinet passe en mode prêt (LED blanche).
8. Le voyant du bouton électronique devient orange ; appuyez sur le bouton électronique pour lancer le programme de rinçage. Cela prend environ 2 à 3 minutes.

Attention : Au début, l'eau de rinçage peut être laiteuse ou trouble. Ce phénomène est dû à la dispersion de l'air et disparaîtra rapidement.

9. Installer le couvercle avant.

Réglage du filtre en fonction de la dureté de l'eau

- ▶ Maintenir le bouton enfoncé pendant 10 secondes. La LED commence à clignoter.
- ▶ Tourner vers l'arrière pour obtenir le réglage correspondant de la dureté de l'eau.
- ▶ Appuyez sur le bouton pendant 2 secondes pour confirmer la sélection. La LED clignote 3x brièvement pour confirmer le réglage.

Fonctionnement et remplacement de la bouteille de CO₂

Après avoir puisé environ 60 litres d'eau gazeuse, le jet d'eau devient plus faible et la teneur en dioxyde de carbone plus basse.

En dessous de 3 bars, l'appareil émet un signal sur le clavier et sur le robinet pour remplacer la bouteille de CO₂.

S'il est complètement vide, aucune eau gazeuse ne peut être puisée de l'unité.



Le système prend en charge les bouteilles de CO₂ sans arôme supplémentaire avec 425 g et un filetage trapézoïdal. Il est compatible avec les bouteilles standard disponibles sur les principaux marchés.

- ▶ Les bouteilles de CO₂ ne doivent être entretenues ou réparées que par du personnel autorisé.

En fin de vie, si par exemple l'étanchéité est insuffisante, elle doit être éliminée localement conformément à la réglementation en vigueur ou, mieux encore, être rapportée dans le cadre du système local de consignation des bouteilles.

Étapes du remplacement de la bouteille de CO₂

Nous recommandons de remplacer la cartouche de CO₂ dans l'ordre suivant (voir les détails dans le « Manuel d'installation », page 12):

1. Retirer le couvercle avant.
2. Si une nouvelle bouteille de CO₂ est nécessaire, les LED de l'interface utilisateur s'allument.
3. Basculer le raccord de CO₂ vers l'avant et dévisser lentement la bouteille de CO₂ usagée

en la tournant vers la gauche. Cela le déverrouillera du réducteur de pression CO₂ et permettra de le retirer.

Attention : La bouteille de CO₂ vide peut être rapportée à la station de retour locale pour être remplie.

4. Retirez la nouvelle bouteille de CO₂ de son emballage et vérifiez si la tête de la bouteille de CO₂ est endommagée.
5. Retirer le capuchon de protection de la nouvelle bouteille de CO₂ et visser la bouteille de CO₂ dans le détendeur de CO₂ en la tournant vers la droite jusqu'à ce qu'elle ne puisse plus être serrée. Incliner le raccord CO₂ vers l'arrière.
Attention : Il est important que la bouteille de CO₂ soit bien serrée afin de former un joint étanche. Une partie du gaz peut s'échapper et un sifflement peut être entendu. Continuez à serrer jusqu'à ce qu'elle ne puisse plus aller plus loin. On ne doit plus entendre de gaz s'échapper.
6. Une fois la bouteille de CO₂ assemblée, les LED de l'interface utilisateur s'allumeront vert.
7. Installer le couvercle avant.

Couleur de la LED	Avertissement pour le changement de bouteille de CO ₂
Vert	Si pression <3 bar, la LED clignote en vert.

Retrait du produit

Nous recommandons de retirer le produit dans l'ordre suivant (voir les détails dans le « Manuel d'installation », page 14) :

1. Veillez à ce que le robinet soit correctement aligné au-dessus de l'évier.
2. Débrancher le cordon d'alimentation.
3. Couper l'alimentation en eau et fermer les vannes d'angle.
4. Retirer le couvercle avant.
5. Basculer le raccord de CO₂ vers l'avant et dévisser lentement la bouteille de CO₂ usagée en la tournant vers la gauche. Cela le déverrouillera du réducteur de pression CO₂ et permettra de le retirer.
6. Installer le couvercle avant.
7. Débrancher le câble de communication (D), le tuyau d'eau flexible (6, étiquette bleue) et l'adaptateur de tige (11) à l'extrémité du raccord d'eau de l'unité (C).



Avertissement : Risque de brûlure ! La soupape de sécurité (3) et le tuyau d'eau flexible (5, étiquette rouge) ne doivent jamais être déconnectés de l'appareil !

8. (Uniquement pour l'appareil All-in-One)
Démontez la soupape de sécurité (3) du mur et débranchez le tuyau de vidange de l'eau de dilatation (2).
9. L'unité avec la soupape de sécurité connectée peut maintenant être retirée de l'armoire en toute sécurité.



Attention : Le Franke Mythos Water Hub doit toujours être transporté dans un emballage approprié. Si un appareil est renvoyé à Franke, doit être expédié sans bouteille de CO₂.

Élimination



Le symbole sur le produit ou sur l'emballage indique que l'appareil ne doit pas être jeté dans les ordures ménagères.

En éliminant l'appareil de manière appropriée, vous contribuez à éviter les conséquences néfastes pour l'environnement et la santé.

De plus amples informations sur le recyclage de l'appareil sont disponibles auprès de l'autorité compétente, du service local d'élimination des déchets ou du vendeur de l'appareil.

Déposez l'appareil qui doit être mis au rebut dans un centre de collecte de déchets spécialisé pour les appareils électroniques et électriques.

Conformément à l'article du Décret législatif n° 15 du 25 juillet, Mise en œuvre de la Directive 2002/96/CE relative à la réduction des substances dangereuses utilisées dans les appareils électriques et électroniques et dans l'élimination des déchets.

Le symbole de la poubelle barrée sur l'appareil indique qu'à la fin de sa durée de vie, le produit ne doit pas être jeté avec les ordures ménagères. Par conséquent, lorsque l'appareil a atteint la fin de sa durée de vie, l'utilisateur doit le remettre à un centre de recyclage approprié pour les déchets électroniques et électrotechniques, ou le retourner au revendeur lors de l'achat d'un nouvel appareil de type équivalent.

Une collecte sélective appropriée des appareils mis au rebut en vue de leur recyclage, de leur traitement et de leur élimination dans le respect de l'environnement permet d'éviter un impact potentiellement négatif sur l'environnement et la santé et facilite le recyclage des matériaux utilisés dans la fabrication des appareils.

Inhoudsopgave

Over deze handleiding	74
Veiligheidsinformatie	74
Productinformatie	79
Kenmerken van het product	79
Overzicht	80
Franke Mythos Water Hub	82
Gereedschap nodig voor installatie	83
Reinheid en hygiëne tijdens de installatie	83
Installatie	84
Algemene punten voor installatie	84
Installatiestappen	84
Opstartprocedure	85
Kraanbediening	86
Bediening van de elektronische knop	86
Selectie van LED-intensiteit	87
Gebruikersinterface	88
Franke @Home-app	89
Probleemoplossing	89
Onderhoud	92
Algemeen onderhoud	92
Reinigen	92
Kraanbeluchter ontkalken	93
Reparaties	93
Werking en vervanging van filters	93
Gebruik en vervanging van de CO₂-cilinder	94
Verwijdering van het product	95
Afvalverwijdering	95

Over deze handleiding

Deze handleiding bevat belangrijke informatie over de veilige en correcte installatie en inbedrijfstelling van het product.

FRANKE behoudt zich het recht voor om zonder voorafgaande kennisgeving wijzigingen aan het product aan te brengen. Alle informatie is correct op het moment van uitgifte.

- ▶ Lees de handleiding zorgvuldig door voordat u het toestel in gebruik neemt.

- ▶ Bewaar de gebruikershandleiding.
- ▶ Gebruik het in deze handleiding beschreven toestel alleen in overeenstemming met het beoogde gebruik.

Symbol Betekenis



Waarschuwingssymbool.
Waarschuwing voor risico 's op letsel.



Handeling. Geeft een handeling aan die moet worden uitgevoerd.

Veiligheidsinformatie

Beoogd gebruik

- Installeer het product zoals beschreven in deze handleiding en in overeenstemming met de van toepassing zijnde installatie-, veiligheids- en lokale watervoorzieningsvoorschriften!
- Het systeem is ontworpen voor gebruik binnenshuis in een privékeuken in huishoudens, meestal in de keukenomgeving. Het mag ook worden gebruikt in semi-openbare ruimten, zoals een personeelskeuken in winkels, kantoren of andere bedrijven, als de prestatiebeperkingen in acht worden genomen.
- De gebruiker is verantwoordelijk voor alle reinigings- en onderhoudsvereisten.
- Elk gebruik dat verder gaat dan het bedoelde gebruik wordt beschouwd als misbruik.

Onbedoeld gebruik

- De installatie van Franke Mythos Water Hub is niet toegestaan:
 - Op plaatsen waar een verhoogd risico op besmetting bestaat, bijvoorbeeld in stoffige, ongeventileerde of vochtige

omgevingen of op plaatsen rond deuren en ramen.


- Op oneffen of hellende oppervlakken of in de onmiddellijke nabijheid van toiletten.
- In vluchtroutes.
- Direct naast een warmtebron zoals een verwarming (op ten minste 20 cm afstand) en plaatsen met direct zonlicht gedurende een langere periode.
- Op plaatsen die het reinigen en onderhouden van het apparaat bemoeilijken.
- Op plaatsen zonder voldoende ventilatie.
- Buiten.

Aansprakelijkheidsbeperking


- De aansprakelijkheid voor defecten dekt niet de gebruikelijke slijtage of schade die het gevolg is van foutieve of onzorgvuldige behandeling, overmatig gebruik, ongeschikte apparatuur of door speciale invloeden van buitenaf die niet overeenkomen met het bedoelde gebruik.
- Verder kan Franke niet aansprakelijk worden gesteld voor schade of letsel als gevolg van het volgende:
 - Onjuiste installatie.

- Niet-naleving van de instructies en veiligheidsinformatie in deze handleiding.
- Onderhoud en/of installatie door ongekwalificeerd personeel.
- Onjuist onderhoud (vooral het niet regelmatig vervangen en reinigen van filters).
- Ongeoorloofde wijzigingen.
- Technische wijzigingen.
- Gebruik van reserveonderdelen die niet worden aanbevolen door de fabrikant.
- Gebruik van extra onderdelen die niet zijn vrijgegeven door de fabrikant.
- De gebruiker is verantwoordelijk voor de juiste installatie, het onderhoud en het gebruik van het product. De garantie vervalt als het product en/of de elektrische onderdelen beschadigd zijn door onjuiste montage, onjuist gebruik of enige andere vorm van verkeerd gebruik.

Veiligheidsaanwijzingen

 **Waarschuwing:** Er zit een CFK-vrij koelmiddel in het koelcircuit van de unit. Het is brandbaar en kan gaan lekken als het koelcircuit beschadigd raakt!

- Controleer of er geen onderdelen van het koelcircuit beschadigd zijn.
- Mocht het koelcircuit ooit beschadigd raken, vermijd dan open vuur en ontstekingsbronnen en zorg voor goede ventilatie.
- Sluit een defect apparaat niet aan op het lichtnet.

 **Waarschuwing:** Er bestaat levensgevaar door verstikking als CO₂ wordt ingeademd!

- De ruimte waarin het systeem wordt geïnstalleerd, moet minimaal 5 m² groot zijn. Als de kamer een plafondhoogte van minder dan 2 m heeft, neemt deze waarde toe.
- Als er grotere cilinders worden gebruikt, moet het vrije vloeroppervlak in verhouding staan tot het volume.

- Het gebruik van een externe CO₂-fles valt onder de verantwoordelijkheid van de gebruiker.


 **Waarschuwing:** Onder spanning staande onderdelen in het apparaat!

- Het apparaat mag alleen worden geopend door getraind en gekwalificeerd personeel.
- Installeer het product zoals beschreven in deze handleiding en in overeenstemming met de van toepassing zijnde installatie-, veiligheids- en lokale watervoorzieningsvoorschriften.
- Gebruik het product niet voor andere doeleinden dan die waarvoor het bestemd is, zoals in deze handleiding is beschreven.
- Wijzigingen in of aan het apparaat zijn alleen toegestaan door Franke of door gekwalificeerd, door Franke opgeleid personeel.
- Gebruik voor een veilige werking alleen de door de fabrikant gespecificeerde reserveonderdelen. Anders komen alle garantie- en aansprakelijkheidsclaims tegen de fabrikant te vervallen.
- Dit apparaat is niet bedoeld voor gebruik door personen (inclusief kinderen) met verminderde lichamelijke, zintuiglijke of geestelijke vermogens, tenzij zij onder toezicht staan van of instructies hebben gekregen over het gebruik door een persoon die verantwoordelijk is voor hun veiligheid.
- Dit apparaat kan worden bediend door kinderen van 8 jaar en ouder en door personen met verminderde fysieke, zintuiglijke of geestelijke capaciteiten of gebrek aan ervaring en kennis als zij onder supervisie staan of instructies krijgen ten aanzien van het veilige gebruik van het apparaat en begrijpen welke gevaren zich kunnen voordoen. Kinderen die niet onder toezicht staan mogen dit niet reinigen of onderhouden.


- Kinderen moeten onder toezicht staan om ervoor te zorgen dat ze niet met het apparaat spelen.
- Houd de stekker en het snoer buiten het bereik van kinderen.
- Mensen die nog niet bekend zijn met Franke Mythos Water Hub moeten worden geïnstrueerd over veilig gebruik en worden geïnformeerd over de mogelijke gevaren die met name gepaard gaan met het gebruik van de kokendwaterkraan.
- Voor immuno-incompetente personen of baby's wordt over het algemeen aangeraden om het water te koken. Bij gebruik van een filter met ontkalking (Pro M Connect filter) zal het water in het filter verrijkt zijn met natrium en kan dit problemen veroorzaken voor natriumgevoelige personen of baby's. Neem indien nodig of bij twijfel contact op met een arts of de klantenservice.
- Gebruiksbeperkingen voor kwetsbare personen: Volgens de aanbevelingen van de Duitse Vereniging voor Ziekenhuishygiëne en het Robert Koch Instituut wordt het drinken van water uit waterdispensers afgeraden in zorginstellingen en verpleeghuizen voor ouderen, vanwege mogelijke immuundeficiënties van de patiënten veroorzaakt door ziekte, therapie of leeftijd. Ook de consumptie van kraanwater en dus ook het gebruik van water uit drinkwaterautomaten moet over het algemeen worden vermeden voor personen met immunodeficiëntie.
- Het apparaat is ontworpen voor gebruik binnenshuis in een gesloten ruimte (meestal een keuken), bijvoorbeeld onder een gootsteen. Het mag alleen worden aangesloten op een watervoorziening met een constante drinkwaterkwaliteit volgens de plaatselijke specificaties. In drinkwatersystemen met drukspoelers kunnen drukschommelingen leiden tot problemen met de uitstroomdruk.
- Het apparaat mag alleen worden aangesloten op een GFCI-beveiligde netaansluiting.
- Gebruik altijd de slangenset die bij het apparaat is geleverd. De huidige, die beschikbaar is in de installatie, kan niet opnieuw worden gebruikt.
- In het geval van nadelige veranderingen in de waterkwaliteit binnen de installatie in de woning als gevolg van bouwwerkzaamheden in het gebouw, moet ervoor worden gezorgd dat het apparaat door de gebruiker wordt gereinigd en gedesinfecteerd voordat het weer in gebruik wordt genomen. Vuil (bijv. roestdeeltjes) uit de waterleiding kan de werking van het apparaat schaden en moet worden vermeden.
- Op de installatielocatie moet de Franke Mythos Water Hub worden beschermd tegen mechanische schade, hitte en direct zonlicht, open vuur en vorstgevaar.
- Het apparaat moet rechtop worden geplaatst.
- Sluit de stekker aan op een stopcontact dat voldoet aan de huidige regelgeving en dat zich op een toegankelijke plaats bevindt.
- Controleer voor Klasse I apparaten of de huishoudelijke stroomvoorziening voldoende aarding garandeert.
- Het apparaat vereist een permanente luchtverversing om ervoor te zorgen dat de installatieplaats niet kan opwarmen door de warme uitlaatlucht. Er moet een opening in het achterpaneel van de kast of een soortgelijke opening in de bodemplaat worden voorzien.
- De voedingskabel moet zo worden gelegd dat er geen schade kan ontstaan. Als de kabel of de stekker beschadigd is, moet deze door een specialist worden vervangen. Als de signaalkabel naar de kraan beschadigd is, moet de hele kraan worden vervangen.

- Een beschadigde voedingskabel moet door Franke of door gekwalificeerd, door Franke opgeleid personeel worden vervangen door een identieke kabel.
 - Controleer de toevoerleidingen naar de kraan en het apparaat eenmaal per jaar. Een lek op die punten leidt onmiddellijk tot waterschade. Neem indien nodig contact op met de klantenservice.
 - Alle standaard CO₂-flessen zonder extra smaakstoffen met een volume van 425 g en een trapeziumvormige schroefdraad (TR 21×4) kunnen in de eenheid worden gebruikt. Het eigenlijke afdichtingsoppervlak van de CO₂-fles moet schoon zijn en vrij van krassen of deuken. Zorg er bij het vastschroeven van de cilinder altijd voor dat hij goed vastzit. Bij het vastschroeven kan er een licht sissend geluid hoorbaar zijn en kan er een kleine hoeveelheid CO₂ ontsnappen, wat normaal is.
 - CO₂-cilinders staan onder druk. Bescherm ze tegen oververhitting door direct zonlicht of andere warmtebronnen. Sla de CO₂-fles op in een omgeving waar geen opwarming van de flessen kan optreden. Bij gebruik van een externe CO₂-fles dienen de instructies van de leverancier strikt opgevolgd te worden. De CO₂-fles mag nooit horizontaal neergelegd worden.
 - Als er CO₂ in de ruimte ontsnapt, ventileer de ruimte dan en laat deze enige tijd staan om te zorgen voor voldoende toevoer van frisse lucht. Zelfs de totale hoeveelheid in een 425 g cilinder is niet voldoende om levensbedreigende concentraties in de lucht te bereiken als het ontsnapt.
 - Bij vervoer van de eenheid moet de CO₂-fles verwijderd worden.
 - Gebruik geen osmosewater of sterk gefilterd water in het systeem. Dit kan leiden tot problemen met de niveauregeling.
 - Het is niet toegestaan de Franke Mythos Water Hub zonder Connect-filter te gebruiken. Als Franke Mythos Water Hub is aangesloten op een watervoorziening met een waterontharder en de waterhardheid lager is dan 7 °dKH, kan een zoetwaterfilter (Franke Clear Water Connect-filter) worden gebruikt in plaats van een standaardfilter met ontkalking (Franke Pro M Connect-filter).
-  **Let op:** Gebruik om beschadigingen te voorkomen nooit gekarteld gereedschap. Gebruik waar nodig altijd het juiste gereedschap voor het aandraaien van het koppelstuk.
-  Zorg dat de veiligheidslabels en aantekeningen op het product altijd leesbaar zijn. Vervang beschadigde veiligheidslabels en -aanwijzingen onmiddellijk!
- Op de installatielocatie moet de Franke Mythos Water Hub worden beschermd tegen mechanische schade, hitte en direct zonlicht, open vuur en vorstgevaar.
 - Betegelde en stenen gootstenen zijn niet bestand tegen kokend water; door het temperatuurverschil kunnen er barsten in ontstaan. Open altijd de koudwaterkraan als u kokend water weggiet en giet het kokende water bij voorkeur rechtstreeks in de afvoer.
 - Als gevolg van de voortdurende verbetering van onze producten en/of systemen kunnen de afbeeldingen in dit document afwijken van het geleverde toestel.
 - Indien voorhanden, kunt u de laatste versie van de handleiding downloaden via onze website: **www.franke.com**

Filterpatroon

 Het gebruik van een Franke filter is verplicht om het product te beschermen tegen kalkaanslag. Het is verplicht om het filter te vervangen op basis van de waterhardheidstabel.

- Als het filter bij een temperatuur van 0 °C is opgeslagen, moet het vóór installatie eerst 24 uur bij kamertemperatuur worden bewaard.
- Het filterpatroon mag niet worden geopend of beschadigd.
- Het filterpatroon en het systeem moeten na een langdurige stilstand en/of tijdens onderhoudswerkzaamheden intensief worden doorgespoeld (2 liter spoelwater na 1 week stilstand; 10 liter spoelwater na 4 weken stilstand).

 Het filterpatroon moet worden vervangen als het na de inbedrijfstelling 3 maanden lang niet in gebruik is geweest.

Conformiteitsverklaring

De fabrikant verklaart dat dit apparaat met draadloze radiofunctionaliteit voldoet aan Richtlijn 2014/53/EU.

De volledige tekst van de EU-conformiteitsverklaring is beschikbaar via de volgende link door naar de productcode te zoeken:

<https://www.franke.com/en/product-documentation/>

Deze code is te vinden op het etiket aan de binnenkant van het product.

Frequentiebanden	Maximaal uitgezonden vermogen
2.4 GHz	100 mW max.

PSTI-conformiteitsverklaring

De fabrikant verklaart dat dit product voldoet aan de toepasselijke beveiligingsvereisten in schema 1 van de Product Security and Telecommunications Infrastructure (Security Requirements for Relevante Connectable Products) Regulations 2023 ("Beveiligingsvereisten").

De conformiteitsverklaring is te vinden via de volgende link:

<https://catalog.franke.com/franke/psti/water-hub/>



Omgevingsomstandigheden

Het apparaat mag alleen worden aangesloten op een watervoorziening met een constante drinkwaterkwaliteit volgens plaatselijke specificaties en een constante stromingsdruk tussen 1 en 10 bar bij een watertemperatuur van 5 °C tot 30 °C. De omgevingstemperatuur moet tussen 10 °C en 32 °C liggen (klimaatclassificatie: SN) met een relatieve luchtvochtigheid van max. 75% en een maximale installatiehoogte van 2000 m boven zeeniveau.

Garantie

Scan de QR-code om naar de garantierichtlijnen te gaan:



Productinformatie

Franke Mythos Water Hub Sparkling kan kraanwater filteren, koelen en koolzuurvrij maken. Het biedt de optie van gefilterd, gekoeld en koolzuurhoudend water uit één kraan. Mythos Water Hub All-in-One kan ook kraanwater koken. Het biedt de optie van gefilterd, kokend, gekoeld en koolzuurhoudend water uit één kraan.

Kenmerken van het product

Filter

Om een goede waterkwaliteit te garanderen en het product te beschermen tegen kalkaanslag, moet een filter worden aangesloten op de Franke Mythos Water Hub. Het filter vermindert ongewenste smaakdragers en onzuiverheden in drinkwater voordat het wordt afgegeven door middel van een doorstroomproces. Het filtermateriaal bindt zware metaalionen zoals lood, koper en cadmium. De geïntegreerde actieve kool vermindert ongewenste troebelheid, organische onzuiverheden, geuren en smaken en chloorresten in het filtraat. Afhankelijk van de mineralisatie en hardheidsgraad van het plaatselijke leidingwater, moet een ander soort filter worden gebruikt.

Capaciteit

Franke Mythos Water Hub is uitgerust met een 425 g CO₂-fles die ongeveer 60 liter koolzuurhoudend water levert. Optioneel kan een externe CO₂-cilinder worden toegevoegd voor hogere eisen. In dat geval moet de drukregelaar van de externe CO₂-fles afgesteld worden op 5 bar. De ingangsdruk op de unit mag nooit hoger zijn dan 6 bar. Het reservoir van het apparaat bevat 2,2 liter gekoeld water, 0,6 liter koolzuurhoudend water en nog eens 4 liter gekookt water onder druk. Het debiet varieert, afhankelijk van de waterdruk en het type kraan. Wanneer gekoeld of koolzuurhoudend water wordt afgegeven, vult de Franke Mythos Water Hub onmiddellijk bij met koud kraanwater.

Koelmethode

De temperatuur van het koolzuurhoudende water is afhankelijk van de temperatuur van het gekoelde water in het reservoir. Het temperatuurbereik van gekoeld en koolzuurhoudend water wordt intern aangepast aan de ingestelde optimale temperatuur.

Kookprincipe (alleen voor Franke Mythos Water Hub All-in-One systeem)

Het temperatuurbereik van kokend water kan worden ingesteld tussen 80, 90 tot 100 °C. Als de

temperatuurinstelling is ingesteld op 105 °C, is het tapvolume ongeveer 2,6 liter boven 99 °C. Bij hogere afgiftehoeveelheden zal de warmwatertemperatuur lager zijn, terwijl er koud water in de boiler stroomt tijdens het aftappen van water en zich begint te mengen met het warme water.



Franke Mythos Water Hub heeft geen aparte kokendwateruitloop voor het aansluiten van een mengklep. Als de huisinstallatie geen warmwatervoorziening heeft die rechtstreeks op de kraan kan worden aangesloten, is het niet mogelijk om warm water te tappen door de eenhendelmengkraan op de kraan te verstellen. De temperatuur van het kokende water kan met de app ook ingesteld worden tussen 80, 90 en 100 °C.

Koolzuur

Het CO₂-gehalte van het koolzuurhoudende water is ongeveer 5,0 tot 5,5 g/l in optimale omstandigheden. Deze waarde kan niet worden aangepast, maar mengen met gekoeld water is mogelijk om een lagere carbonatiegraad te bereiken. Na het aftappen van koolzuurhoudend water is er een korte vervolgspoeling van gekoeld stilstaand water om de resterende CO₂ uit de leiding te spoelen. Deze functie voorkomt dat de kraan druppelt, wat fysiek wordt veroorzaakt door de uitzetting van CO₂.

Vakantiemodus

Er kan een vakantiemodus worden geactiveerd. Daarom verlaagt het apparaat de kooktemperatuur tot 60 °C en de temperatuur van het gekoelde en koolzuurhoudende water tot 15 °C.

NB: De smaak en het uiterlijk van geconditioneerd water zijn afhankelijk van veel factoren, zoals de mineralisatie en de hardheidsgraad van het plaatselijke leidingwater.

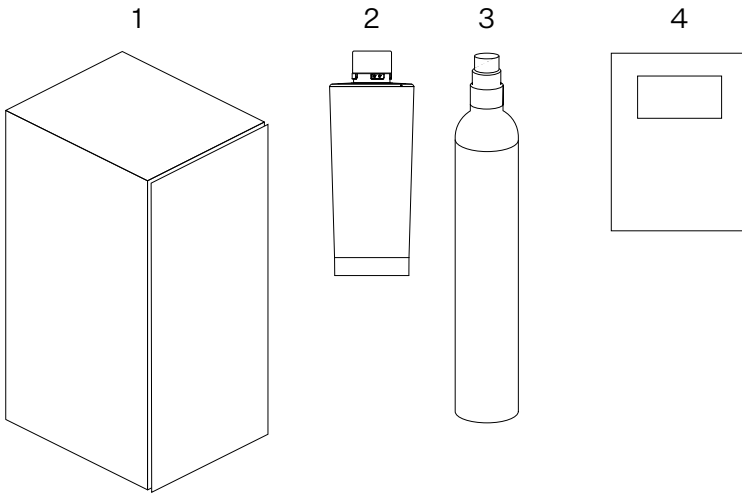
NB: Enig druppelen uit de kraan is normaal, vooral in combinatie met koolzuurhoudend water.

NB: Bij een vakantie langer dan twee weken is het aan te raden om het apparaat uit te schakelen. Doe dit door de stekker uit het stopcontact te halen of het apparaat in vakantiemodus te zetten.

NB: Als er ongeveer 14 dagen geen geconditioneerd water wordt gebruikt, raden we aan om alle opties voor geconditioneerd water (gefilterd, gefilterd / gekoeld, gefilterd / gekoeld / koolzuurhoudend, gefilterd / kokend) elk één minuut door te spoelen. Hierdoor wordt het reservoir bijgevuld met vers water en is de waterkwaliteit optimaal.

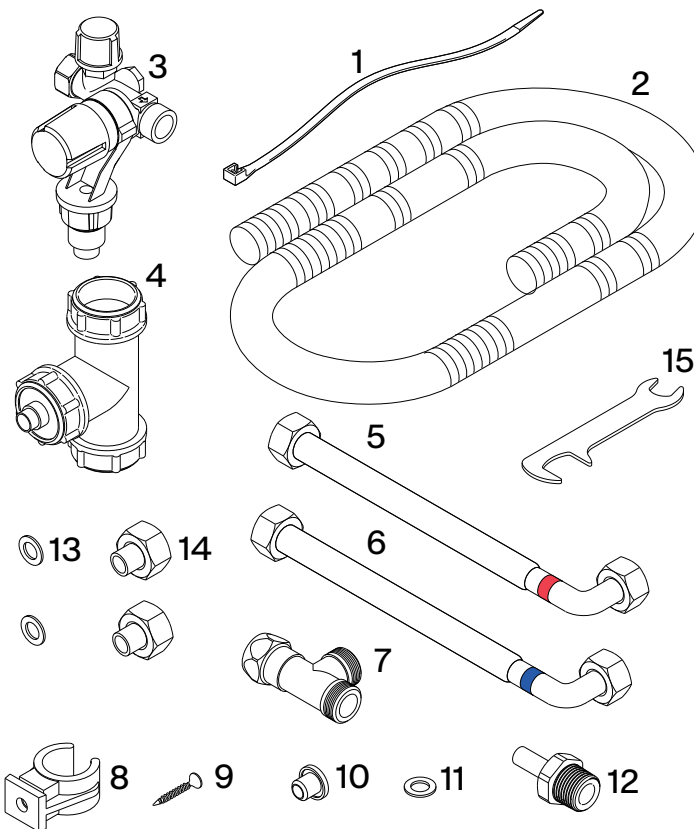
Overzicht

Het pakket van Franke Mythos Water Hub bevat de volgende onderdelen:



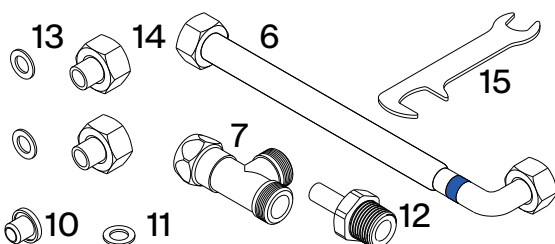
1. Apparaat
2. Waterfilterpatroon
3. CO₂-cilinder
4. Installatiekit

Mythos Water Hub All-in-One inhoud

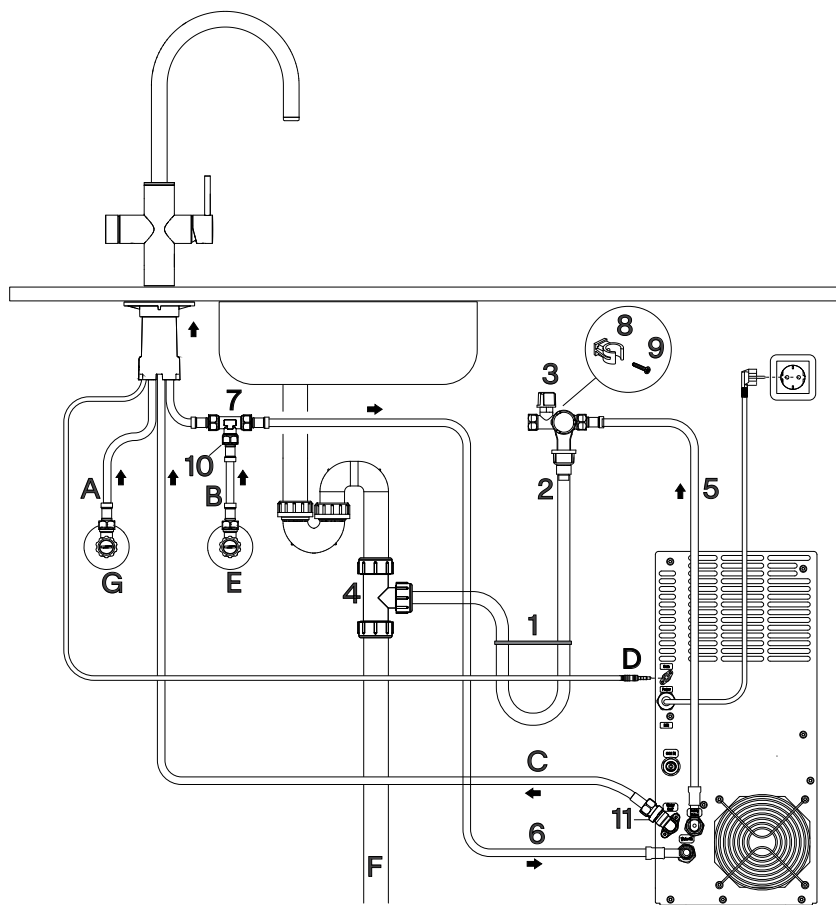


1. Tie-wrap
2. Expansie waterslang
3. Veiligheidsklep plat in/uit
4. Aftap T-stuk
5. Flexibele waterslang (rood label, 1 m, M15, G1/2")
6. Flexibele waterslang (blauw label, 1 m, G3/8", G3/8")
7. T-stuk 3/8"
8. Klem 20/22 mm
9. Schroeven 4 × 25 stuks.
10. Hoedenfilter metaal EU
11. Platte pakking G3/8"
12. Stengeladapter ASA 0806M
13. Platte pakking G1/2" (alleen voor UK-versie)
14. Adapter 1/2"F - 3/8"M (alleen voor UK-versie)
15. Plaatmetaal steeksleutel 20/13 mm

Mythos Water Hub Sparkling - inhoud

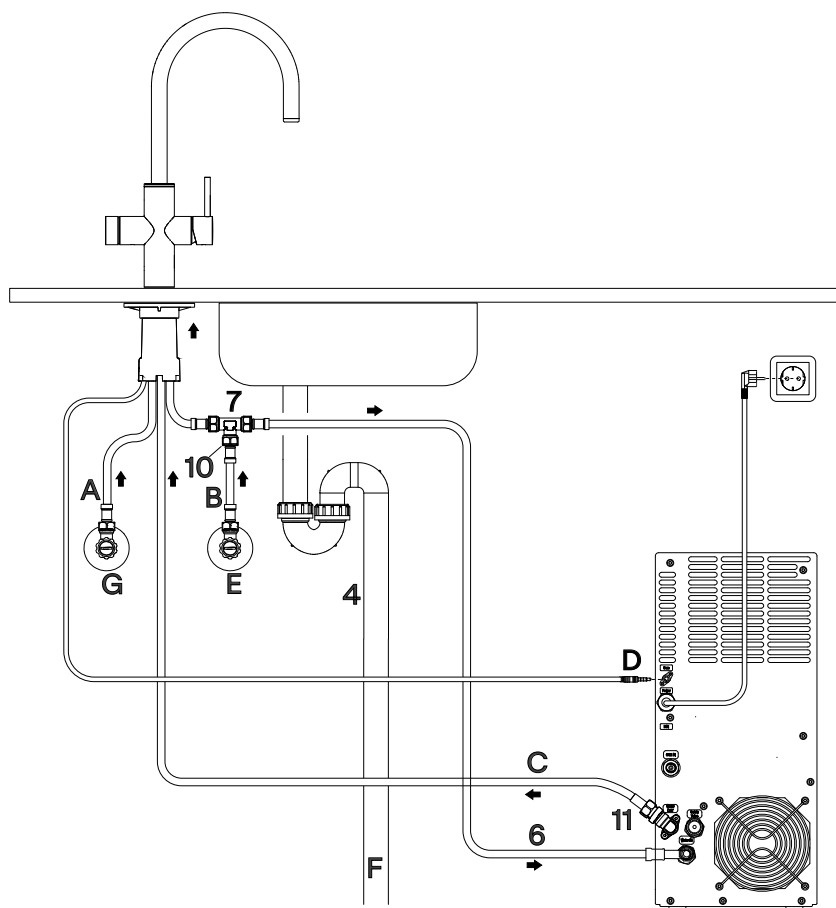


Mythos Water Hub All-in-One



- A Warmwaterkraan
 - B Koudkraanwater
 - C Water uit kraan
 - D Communicatiekabel
 - E Installatie koudwaterhuis
 - F Installatie afvoerhuis
 - G Installatie warmwaterhuis
1. Tie-wrap
 2. Expansie waterslang
 3. Veiligheidsklep plat in/uit
 4. Aftap T-stuk
 5. Flexibele waterslang (rood label, 1 m, M15, G1/2")
 6. Flexibele waterslang (blauw label, 1 m, G3/8", G3/8")
 7. T-stuk 3/8"
 8. Klem 20/22 mm
 9. Schroeven 4 x 25 stuks.
 10. Hoedenfilter metaal EU
 11. Stengeladapter ASA 0806M

Mythos Water Hub Sparkling



Franke Mythos Water Hub

Franke Mythos Water Hub kan alleen worden aangesloten op daarvoor bestemde elektronische kranen van Franke met een compatibele softwareversie.

Controleer de details in de "Installatiehandleiding", pagina 6.

Aansluitingen

Voor de installatie van de Franke Mythos Water Hub zijn een waterleidingaansluiting en een tegen aardlekschakelaars beveiligd afzonderlijk stroomcircuit met een geschikte, minstens 10 A gezeekerde netaansluiting en een permanente spanningsvoorziening van 220-240 VAC / 50 Hz nodig. De hoekkleppen moeten al geïnstalleerd zijn.

Algemene specificaties

Watertoevoersoorten	Gefilterd gekoeld water
	Gefilterd koolzuurhoudend water
	Gefilterd omgevingswater
	Gefilterd kokend water
Bediening	Bediening via elektronische kraan
Parametrisatie	Parametrisatie via app (BLE)
Minimale installatieafmetingen	Hoogte > 440 mm
	Breedte > 200 mm
	Diepte ≥ 550 mm
Gewicht netto (leeg)	20 kg
Gewicht netto (gevuld)	27 kg
Voedingsspanning	220-240 VAC / 50 Hz
Lading	7,5 A
Plug	EU-versie = Type 303A volgens CEE7 UK-versie = Type G / BS 1363 Brits 3-pins
Max. opgenomen vermogen	All in One: 1725 W (±10%) Sparkling: 230 W
Stand-by stroomverbruik	All in One: 19 W (koelen en koken ingeschakeld) Sparkling: 5.5 W (koeling aan)
Geluidsdruk niveau (vrijstaand)	37 ± 4 dB in bedrijfsmodus 0 dB in stand-bymodus
IP-classificatie	IPx1
Certificeringen	CE-UKCA

Gefilterd gekoeld water

Volume reservoir	2,2 l
Koelprincipe	tank-in-tankopstelling
Temperatuurcontrolebereik	ca. 4-10 °C, niet instelbaar
Debiet zonder compensator	ca. 2,5 l/min @ 3 bar
Koeltijd	ΔT = 10 K in 8 minuten (van 20°C naar 10°C) (25 °C tot 5 °C: ongeveer 35 minuten)

Gefilterd koolzuurhoudend water

Volume reservoir	0,6 l
Koelprincipe	tank-in-tankopstelling
Koolzuur	Koolzuursysteem met injectie Boosterpomp
Temperatuurcontrolebereik	ca. 4-10 °C, niet instelbaar
Stroomsnelheid	ca. 2 l/min @ 3 bar
Koolzuurniveau	CO ₂ -gehalte ongeveer 5,0-5,5 g/l

Gefilterd kokend water (alleen All in One)

Volume reservoir	4.0 l, ketel onder druk
Temperatuurcontrolebereik	80/90/100 °C, instelbaar via app
Stroomsnelheid	ca. 2 l/min @ 3 bar
Kooktijd	15 °C tot 100 °C: ongeveer 15 minuten
Energie-efficiëntieklasse waterverwarming	A

Filter (raadpleeg de meegeleverde handleiding)

Filtertype	Beschermingsfilter (Franke Pro M Connect filter of Franke Clear Water Connect filter)
Diameter filterpatroon	95 mm
Hoogte filterpatroon	245 mm
Filterkop	Bajonet
Filtercapaciteit	Ca. 1700 liter bij 10 °dH

Gereedschap nodig voor installatie

- 1 x moersleutel maat 24 mm,
- 1 x moersleutel maat 22 mm,
- 1 x moersleutel maat 20 mm,
- 1 x moersleutel maat 19 mm,
- 1 x moersleutel maat 13 mm,
- tapijtmes,
- kruiskopschroevendraaier (of schroevendraaier & PZ-bit),
- handzaag,
- meetlint,
- potlood.

Afhankelijk van de bestaande infrastructuur kan extra gereedschap nodig zijn, bijvoorbeeld een sleufschroevendraaier voor hoekkleppen.



Gebruik om beschadigingen te voorkomen nooit gekarteld gereedschap. Gebruik waar nodig altijd het juiste gereedschap voor het aandraaien van het koppelstuk.

Reinheid en hygiëne tijdens de installatie

Verontreiniging van watervoerende onderdelen (bijv. afdichtingen, slangaansluitingen, schroefdraad, enz.) moet tijdens de installatie strikt worden vermeden. We raden aan de handen grondig schoon te maken en huidcontact met oppervlakken die later in contact komen met drinkwater te vermijden.

Installatie

Algemene punten voor installatie

Plaatsing van Franke Mythos Water Hub

Zorg voor voldoende ruimte in het keukenkastje en een gemakkelijke toegankelijkheid voor service- en onderhoudswerkzaamheden. Er moet voldoende ruimte zijn aan de achterkant van het apparaat zodat de warme lucht van de uitlaat kan ontsnappen (min. 5-10 cm). Daarom adviseert Franke een diepte van min. 550 mm, een breedte van min. 200 mm en een hoogte van min. 440 mm aan voor de kast.

Ventilatie van de keukenkast

Voor een goede werking van Franke Mythos Water Hub moet het keukenkastje waarin het apparaat wordt geïnstalleerd voldoende geventileerd zijn. Daarom moet er een opening van ongeveer 20 × 40 cm (800 cm²) in het achterpaneel van de kast of soortgelijke openingen in de bodemplaat worden voorzien met minstens 5 cm vrije ruimte tot de vloer en aan de zijkanten.

We raden aan de Franke Mythos Water Hub in de volgende volgorde te installeren:

1. Bereid de installatie voor.
2. Installeer de veiligheidsklep (alleen voor All in One-eenheid).
3. Sluit de watertoevoer aan.
4. Apparaat aansluiten.



Installeer de overdrukklep zo hoog mogelijk in het keukenkastje (alleen voor All-in-One apparaat).



Draai tijdens de installatie elke aansluiting zorgvuldig vast.

Installatiestappen



Tijdens het transport van de Franke Mythos Water Hub naar de installatielocatie kan er koelvloeistof in de leidingen terecht zijn gekomen. Om ervoor te zorgen dat de koelvloeistof is teruggelopen, mag het apparaat pas worden ingeschakeld na een pauze van minstens 2 uur.

NB: De installatie kan worden voorbereid, maar de voeding voor het apparaat mag nu nog niet worden ingeschakeld in dit stadium.

Controleer de details in de "Installatiehandleiding", pagina 3-10.

Bereid de installatie voor (alleen voor All in One-eenheid) ("Installatiehandleiding", pagina 3-6)

1. Controleer of aan alle installatievereisten is voldaan, bijv. ruimte, aansluitingen enz.
2. Schakel de watertoevoer uit en sluit de hoekventielen. Markeer de bestaande koud- en warmwateraansluiting als deze niet beschikbaar is.
3. Kraan installeren.

Installeer de veiligheidsklep (alleen voor All in One-eenheid) ("Installatiehandleiding", pagina 6-7)

1. De afsluitkraan van de veiligheidsklep (3) moet gesloten zijn. Controleer dit door de kraan naar rechts te draaien. De expansieklep van de veiligheidsgroep is in de fabriek gekalibreerd op 8 bar.

Let op: Om veiligheidsredenen mag er water uit de afblaasleiding ontsnappen wanneer deze opwarmt tijdens de werking.

2. Sluit de flexibele waterslang (5, rode label) aan op de veiligheidsklep (3).

Let op: Installeer de veiligheidsgroep tegen de stroomrichting in die wordt aangegeven door de pijl op de achterkant van de veiligheidsgroep.

3. Sluit de expansiewaterslang (2) aan op het veiligheidsventiel (3).

Let op: Zorg ervoor dat de slang volledig is ingestoken en dat er geen ruimte is tussen de veiligheidsklep en de slang waaruit water kan lekken.

4. Monteer de veiligheidsklep (3) op het hoogste punt onder het dek in de kast en schroef de klem (9) vast.

Let op: De veiligheidsklep (3) moet duidelijk boven de aansluiting op de afvoer worden geplaatst. Dit zorgt ervoor dat het water alleen in de afvoer stroomt en niet terug naar de veiligheidsgroep. De afstand tot het apparaat moet < 1 m zijn om de meegeleverde flexibele waterslang te kunnen gebruiken.

5. Sluit de T-stuk afvoer (4) aan op de afvoer. Sluit het andere uiteinde van de expansiewaterslang (2) aan op de aftap T-stuk (4).

Let op: De afvoer van de veiligheidsklep moet na de Syphon worden geplaatst. Indien nodig kan de expansiewaterslang met een mes worden

ingekort. Zorg ervoor dat het snijvlak recht is. Zorg ervoor dat de slang er volledig in zit.

Let op: Vorm een waterslot met de expansiewaterslang (2) en zet deze vast met de tie-wrap (1).

Sluit de watertoevoer aan

("Installatiehandleiding", pagina 7-8)

1. Sluit het T-stuk (7) en het hoedfilter (10) aan op de koudwaterinstallatie (E) en de koudwateraansluiting (B).

Voor UK: sluit de adapter (18-19) aan tussen koudwaterinstallatie (E) en T-stuk (7).

Let op: Het is uiterst belangrijk om het hoedfilter te installeren.

2. Sluit de flexibele waterslang (6, blauw label) aan op het T-stuk (7).

1. Sluit de warmwateraansluiting (A) van de kraan aan op de warmwaterinstallatie (G).

Voor UK: sluit de adapter (18-19) aan tussen koudwaterinstallatie (E) en T-stuk (7).

2. Sluit de apparaataansluiting (C) van de kraan aan op de spindeladapter (11).

Franke Mythos Water Hub aansluiten

("Installatiehandleiding", pagina 8)

1. Sluit de flexibele waterslang (6, blauw label) aan op het apparaat (aansluiting "Water IN").

2. Sluit de flexibele waterslang (5, rode label) aan op het apparaat (aansluiting "Veiligheidsklep").

Let op: Zorg ervoor dat de slang geen andere aansluiting blokkeert.

3. Sluit de stangadapter (11) aan op de unit (aansluiting "Water OUT").

Let op: Zorg ervoor dat de slang geen andere aansluiting blokkeert.

4. Sluit de communicatiekabel (D) van de kraan aan op het apparaat ("Com"-aansluiting).

Let op: Zorg ervoor dat de stekker volledig in het stopcontact zit.

Let op: Controleer of er genoeg ruimte is voor alle onderdelen en zorg ervoor dat de slangen niet gebogen, gedraaid of strak getrokken zijn. Ze moeten zonder knikken worden geleid. Plaats niet meerdere stopcontacten of draagbare voedingen aan de achterkant van het apparaat.

Filterinstallatie ("Installatiehandleiding", pagina 9-10)

1. Verwijder de voorklep.
2. Om de reinigingsbeker te verwijderen, kantelt u de filterkop naar voren en draait u de beker ongeveer 90 graden naar links.

Let op: De schoonmaakbeker is nodig voor de regelmatige schoonmaakprocedure en moet worden bewaard.

3. Plaats het filterelement in de filterkop en draai het filterelement ongeveer 90 graden naar rechts totdat het niet verder kan worden vastgedraaid. Kantel de filterkop naar achteren.

4. Installeer de CO₂-cilinder nog niet.

5. Schakel de watertoevoer in, open de hoekkleppen en controleer of de afdichting van de installatie intact is. Er mag nergens water lekken.

Opmerking: Het wordt aanbevolen om alleen een filter met RFID-tag te gebruiken (bijv. Pro M Connect-filter), anders werkt het apparaat niet meer.

Opstartprocedure



Tijdens het opstarten moet de Franke Mythos Water Hub één keer worden doorgespoeld; dit gebeurt automatisch tijdens het proces.

Om het apparaat gebruiksklaar te maken, wordt het opstarten in de volgende volgorde aanbevolen:

1. Zorg ervoor dat de kraan goed is uitgelijnd boven de gootsteen.

2. Controleer de koud- en warmwateraansluiting met de handgreep om er zeker van te zijn dat de watertoevoer werkt.

3. Steek de stekker in het stopcontact.

Let op: Controleer of het netsnoer niet gebogen, bekneld of beschadigd is.

4. Het eerste opstartproces duurt ongeveer 20 seconden.

Let op: Onderbreek het proces niet door op een knop te drukken of de stekker uit het stopcontact te halen.

5. Nadat het apparaat is opgestart, gaan de LED's op de kraan branden.

Druk kort (<2 s) op de knop Reset / Stand-by op het apparaat om het eerste spoelprogramma uit te voeren.

6. Het eerste spoelprogramma duurt ongeveer 5-6 minuten.

Let op: Onderbreek het proces niet door op een knop te drukken of de stekker uit het stopcontact te halen. Anders is een volledige herstart vereist. Het apparaat moet worden losgekoppeld en het proces moet opnieuw worden gestart vanaf stap 3.

7. Na het eerste spoelprogramma gaan de LED's op de knop branden.

Let op: De kraan moet al gevuld zijn met water,

d.w.z. de eerste spoeling moet voltooid zijn voordat de CO₂-toevoer wordt geactiveerd.

Installatie van de CO₂-cilinder ("Installatiehandleiding", pagina 12)

1. Verwijder de beschermkap van de CO₂-cilinder, kantel de CO₂-aansluiting naar voren en schroef de CO₂-cilinder in het CO₂-drukreducieventiel door deze naar rechts te draaien tot deze niet verder vastgedraaid kan worden. Kantel de CO₂-aansluiting naar achteren.
Let op: De CO₂-cilinder moet goed vastgedraaid worden zodat er een goede afdichting ontstaat.

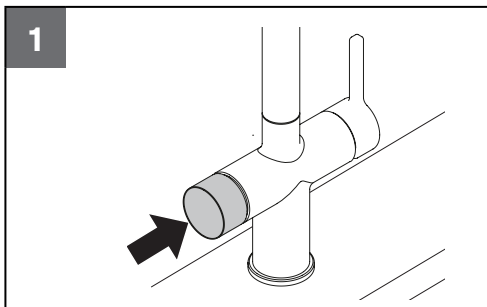
Er kan wat gas ontsnappen en er kan een sissend geluid hoorbaar zijn. Blijf aandraaien tot het niet verder kan. Er mag geen gas meer ontsnappen.

2. Nadat de CO₂-cilinder is gemonteerd, gaan de LED's op de gebruikersinterface branden en schakelen ze van rood naar groen.
3. Installeer de voorklep.
4. Het apparaat koelt af en warmt ongeveer 25 minuten op, waarna het klaar is voor gebruik.
Let op: De uiteindelijke koolzuurkwaliteit wordt bepaald nadat het product een paar dagen is gebruikt.

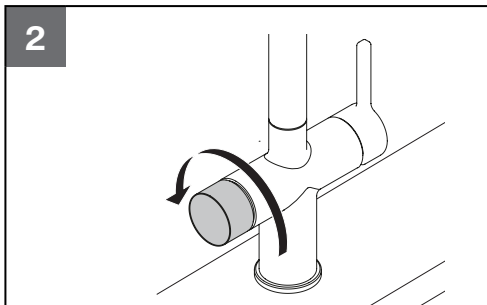
Kraanbediening

Bediening van de elektronische knop

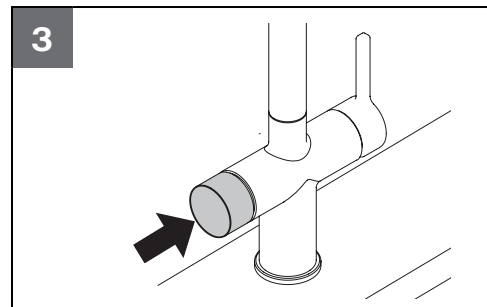
- ▶ De elektrische knop in stand-by reageert niet op draaiende bewegingen.
- ▶ Druk 1x kort op de elektronische knop (fig. 1) om deze te activeren.



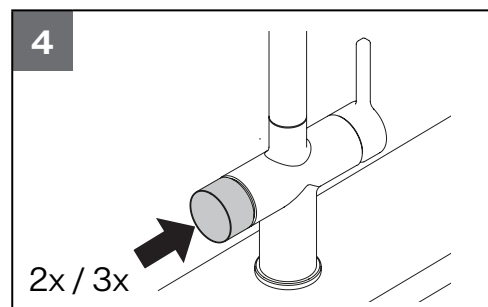
- ▶ Draai de elektronische knop vooruit of achteruit om de gewenste watersoort te kiezen - de kleur van de LED verandert tijdens de beweging (fig. 2).



- ▶ Houd de elektronische knop ingedrukt voor een continue watertoevoer (fig. 3).
Deactivering: laat de knop los.



- ▶ Voor de gekozen hoeveelheid water 0,5, 1 of 2 liter druk kort op de elektronische knop volgens de informatie in de tabel hieronder (fig. 4).
Deactivering: 1x kort indrukken.



- ▶ Houd het te vullen voorwerp dicht bij de kraan, zodat het de uitstroomopening van de kraan omsluit. Dit voorkomt dat er water opspat.

LED-kleur	Werking	Bediening			LED-display	
		Druk op	Houd ingedrukt	Druk 2x		Druk 3x
Wit	Stand-bymodus*	Activeer knop door 1x op LED te drukken			-	Verlichting
Rood	Kokend water		Continue waterstroom tot het loslaten van de knop	1 l waterafgifte (onderbreking door extra pers)	2 l waterafgifte (onderbreking door extra pers)	
Blauw	Koud gefilterd water					
Turquoise	Gefilterd water					In werking
Groen	Koud "bruisend" water		Continue waterstroom tot het loslaten van de knop	0,5 l waterafgifte (onderbreking door extra pers)	1 l waterafgifte (onderbreking door extra pers)	
Lichtgroen	Koud "bruisend" water "gemiddeld" instelbaar via app					

*Geen functie met roterende beweging

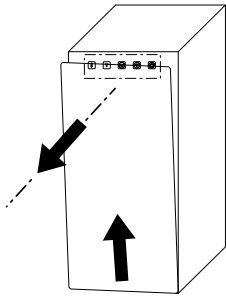
Selectie van LED-intensiteit

Als de kraan 60 seconden niet wordt gebruikt, schakelt hij automatisch over naar de slaapstand, 50% LED-INTENSITEIT.

Om de slaapstand te wijzigen, moet je de onderstaande instructies volgen.

1. Activeer de kraan door één keer op de elektronische knop te drukken.
2. Druk 5 keer op de elektronische knop.
3. De LED begint te knipperen.
4. Draai de knop naar de gewenste instelling door de knop naar voren of naar achteren te draaien:
 1. 50% intensiteit, standaard,
 2. 10% intensiteit,
 3. Volledig uitgeschakeld.
5. Houd de elektronische knop 2 seconden ingedrukt om te bevestigen. LED knippert 3 keer ter bevestiging.

Gebruikersinterface



- A. CO₂-niveau
- B. Filter runtime
- C. Reinigen
- D. Connectiviteit
- E. Reset-/Vakantiemodus



CO₂-niveau

Status-LED	Betekenis
Constant: Groen	CO ₂ > 3 bar
Knipperend: Rood	CO ₂ < 3 bar / CO ₂ -fles leeg



Filter runtime

(alleen voor filters met RFID-tag)

Status-LED	Betekenis
Constant: Groen	Resterende filtertijd > 10%
Knipperend: Rood	Resterende filtertijd ≤ 10%
Constant: Rood	Resterende filtertijd ≤ 0% of laatste filtervervangings > 6-12 maanden afhankelijk van waterhardheid d.w.z. filtervervangings vereist



Reinigen

Status-LED	Betekenis
Constant: Groen	Geen reiniging nodig
Knipperend: Rood	Reiniging vereist indien laatste reiniging > 6 maanden
Knipperend: Blauw (aftellen)	Reinigingsproces loopt

Druk 5 seconden op de knop om het reinigingsprogramma te starten.



Connectiviteit

Status-LED	Betekenis
Constant: Wit	Verbinding actief
Knipperend: Blauw	Verbinding koppelen

Franke Mythos Water Hub kan worden verbonden met de mobiele app Franke @Home.

- Voor de eerste verbinding met de mobiele app houdt u de knop 5 seconden ingedrukt totdat alle LED's blauw knipperen en volg de instructies van de app.



Reset-/Vakantiemodus

Status-LED	Betekenis
Constant: Groen	Bedrijfsmodus actief
Knipperend: Groen	Apparaat herstart
Knipperend: Rood	Vakantiemodus geactiveerd

- Druk 5 seconden op de knop om het apparaat te resetten/herstarten.
- Druk minder dan 2 seconden kort op de knop om de vakantiemodus te starten.
- Druk op een willekeurige knop om het apparaat uit de vakantiemodus te halen.



Bij een fout knipperen alle knoppen rood.

Koppel de voeding minstens 10 seconden los en start het apparaat opnieuw op. Als dat niet helpt, neem dan contact op met de klantenservice.

Franke @Home-app

Met de Franke @Home-app is het mogelijk om de status van de Franke Mythos Water Hub te controleren en de bedrijfsparameters aan te passen (bijvoorbeeld de temperatuur van kokend water).

App Store



Google Play



Probleemoplossing

Storing	Mogelijke oorzaak	Oplossing
Waterlekkage bij de kraanaansluiting	Verbindingspijp van koud/warm water zit los.	Draai vast met een steeksleutel.
	De afdichting van de verbindingsleiding van koud/warm water is defect of beschadigd.	Vervang de afdichting.
Waterlekkage bij de aansluiting op de afvoer	Te weinig insteekdiepte of de pijp is niet recht afgesneden.	Controleer de insteekdiepte van de slang en de snijkant.
	Schuine installatie van de veiligheidsklep.	Controleer of de veiligheidsklep horizontaal is geïnstalleerd en of er geen opening is naar de afvoerslang.
Waterlekkage bij de aansluitingen van het apparaat	Verbindingsleiding van koud/warm/geconditioneerd water los.	Draai vast met een steeksleutel.
	De afdichting van de verbindingsleiding van koud/warm/geconditioneerd water is defect of beschadigd.	Vervang de afdichting.
Waterlekkage bij een slang	Broze of gebroken slang.	Vervang de lekkende slang.
Waterlekkage in het apparaat	Lekkage in het apparaat.	Haal de stekker uit het stopcontact en neem contact op met de klantenservice.
De veiligheidsklep lekt	Uitzetting tijdens het verwarmen van water.	Geen storing, normale werking.
	Voortdurend vallen door vuil.	Bedien de knop van de expansieontlastklep handmatig om vuildeeltjes te verwijderen. Vervang de veiligheidsklep.
Sissende geluiden uit het apparaat	De CO ₂ -cilinder is niet goed vastgedraaid.	Draai de CO ₂ -cilinder met gepaste kracht naar rechts tot hij niet verder kan worden vastgedraaid. Gebruik een nieuwe CO ₂ -cilinder omdat het afdichtingsoppervlak beschadigd kan zijn.
	De interne drukregelaar is defect of beschadigd.	Neem contact op met de klantenservice.

Storing	Mogelijke oorzaak	Oplossing
Kraan levert geen water	De hoekkleppen van de watertoevoerinstallatie zijn gesloten.	Open de hoekkranen en controleer de werking van het warme en koude water.
	De hoofdwaterkraan is gesloten.	Open de hoofdwaterkraan.
	Slangen zijn geknikt.	Maak de geknikte slangen recht.
	De kraan is verstopt.	Controleer de kraan en maak de beluchter schoon.
Gefilterd, gekoeld, koolzuurhoudend, kokend water kan niet worden gebruikt	Filter niet goed geïnstalleerd.	Draai het filterelement met behoorlijke kracht naar rechts totdat het niet verder kan worden vastgedraaid.
	Geen verbinding tussen de kraan en het apparaat.	Sluit de kabelconnector van de communicatiekabel goed aan.
	De installatiekit is verkeerd geïnstalleerd.	Controleer de correcte installatie van de installatiekit.
Kokend water kan niet worden getapt	Het apparaat werd zonder filter gebruikt in gebieden met een hoog kalkgehalte in het drinkwater.	Neem contact op met de klantenservice.
	De ketel is defect.	Neem contact op met de klantenservice.
CO ₂ wordt uit de kraan gezogen in plaats van water	De hogedrukpomp is defect.	Neem contact op met de klantenservice.
Het getapte water bevat geen of weinig CO ₂	De CO ₂ -cilinder is leeg of niet aangesloten.	Vervang de CO ₂ -cilinder of sluit hem correct aan.
		Laat ongeveer 1 liter bruiswater weglopen als de CO ₂ -cilinder eerder leeg was.
		Controleer of de aansluitslangen correct zijn geïnstalleerd.
		Als er een externe CO ₂ -cilinder gebruikt wordt, moet de drukregelaar afgesteld worden op 5 bar.
	Het water wordt niet voldoende gekoeld en kan daarom niet genoeg CO ₂ opnemen.	Wacht tot de koeleenheid het water tot een voldoende niveau heeft afgekoeld.
De drukregelaar in het apparaat is defect.	Neem contact op met de klantenservice.	

Storing	Mogelijke oorzaak	Oplossing
Het getapte gekoelde en koolzuurhoudende water is te heet	Er werd in korte tijd veel water opgepompt.	Wacht tot de koeleenheid het water tot een voldoende niveau heeft afgekoeld.
	De koeling is defect (compressor draait niet).	Neem contact op met de klantenservice.
	Oververhitting van het apparaat.	Zorg voor voldoende ventilatie in de cabine en verlaag de omgevingstemperatuur.
Het apparaat werkt met minder prestaties	De warmwaterleiding wordt gebruikt voor de watertoevoer van het apparaat.	Zorg ervoor dat de koudwaterleiding wordt gebruikt voor de inlaat van het apparaat.
Het apparaat kan niet worden ingeschakeld	De stekker is niet in het stopcontact gestoken.	Steek de stekker in een wandstopcontact met aardlekbeveiliging.
	De netstekker of het netsnoer is beschadigd of defect.	Neem contact op met de klantenservice.
	Geen stroomvoorziening.	Controleer de eventuele zekering van het stopcontact en de aardlekschakelaar. Neem contact op met de installateur van het elektrische systeem.
	Lekkagesensor actief.	Haal de stekker uit het stopcontact en neem contact op met de klantenservice.
	Softwareprobleem.	Koppel de voeding minstens 10 sec en start het apparaat opnieuw op.
	Kortsluiting in het apparaat.	Haal de stekker uit het stopcontact en neem contact op met de klantenservice.
Het reinigingsproces wordt niet uitgevoerd	Reinigingsbeker niet goed geïnstalleerd.	Draai de reinigingsbeker met behoorlijke kracht naar rechts totdat deze niet verder kan worden vastgedraaid.
Het apparaat kan geen verbinding maken met de app	De connectiviteit op het apparaat is gedeactiveerd.	De verbinding activeren
Het apparaat toont een onbekende kleurcode	Storing van het apparaat.	Koppel de voeding minstens 10 sec en start het apparaat opnieuw op.
		Neem contact op met de klantenservice.

Als u er niet uitkomt met uw storing of defect neem dan contact op met de Franke servicedesk, installateur of verkoper.

Onderhoud

Algemeen onderhoud

- ▶ Reinig de kraan alleen met kraanreiniger van Franke. Bezoek onze Franke webshop.





Gebruik geen reinigingsmiddelen die een oplosmiddel of zuur bevatten, zoals kalkverwijderaars, huishoudazijn of reinigingsmiddelen met azijnzuur. Deze bestanddelen beschadigen het oppervlak. De kraan wordt mat en krijgt krassen.

- ▶ Kalkaanslag kan worden voorkomen door de kraan na gebruik af te drogen.
- ▶ Als er kalkaanslag ontstaat, verwijder deze dan met een reinigingsmiddel op basis van citroenzuur.
- ▶ Gebruik voor onderhoud of reparatie altijd originele onderdelen van Franke. Dit garandeert de veiligheid en de goede werking van het product en waarborgt eventuele garantieclaims.
- ▶ Vervanging of reparatie van onderdelen mag alleen door de servicedienst van Franke worden uitgevoerd.


Reinigen

Om hygiënische en gezondheidsredenen moet de Franke Mythos Water Hub elke 6 maanden worden gereinigd. We raden aan het apparaat in de volgende volgorde te reinigen:

1. Zorg ervoor dat de kraan tijdens het schoonmaken goed boven de gootsteen uitgelijnd is.
2. Verwijder de voorklep.
3. Als er een reinigingsproces nodig is, gaan de LED's op de gebruikersinterface branden.
4. Kantel de filterkop naar voren, draai het filterpatroon ongeveer 90 graden naar links en trek het naar beneden. Hierdoor komt het los van de filterkop en kan het worden verwijderd.
Let op: Tijdens dit proces worden de kleppen voor inkomend kraanwater en uitgaand gefilterd water in de filterkop automatisch gesloten. Het kan gebeuren dat een kleine hoeveelheid expansiewater uit de filterkop lekt als gevolg van drukpieken. Houd hier rekening mee en plaats een geschikte bak onder de filterkop.
5. Plaats één reinigingstablet (Franke raadt aan om "Bevi Tab Aqua", aqua-reinigingstabletten te gebruiken) in de reinigingsbeker.
6. Plaats de reinigingsbeker in de filterkop en draai de beker ongeveer 90 graden naar rechts totdat deze niet verder kan worden vastgedraaid. Kantel de filterkop naar achteren.
7. Druk op de knop Reiniging (C)  op het apparaat gedurende 5 seconden in totdat de LED (C) blauw knippert om het reinigingsprogramma te starten.
8. Het reinigingsprogramma duurt ongeveer 75 minuten. Ondertussen wordt er een aftelling weergegeven op de gebruikersinterface. Eerst lichten alle LED's blauw op en gaan dan geleidelijk één voor één uit.
Opmerking: Onderbreek het proces niet door op een knop te drukken of het apparaat los te koppelen. Anders wordt het proces afgebroken. Om het apparaat weer gebruiksklaar te maken, moet een spoelprogramma van 40 minuten worden gestart. Druk hiervoor op de reinigingsknop (C) . De drie knoppen aan de rechterkant beginnen blauw te knipperen. Wanneer het proces is voltooid, gaan alle LED's branden. Verwijder de reinigingsbeker voordat u gaat spoelen en plaats een filterpatroon (nieuw of een gebruikt exemplaar met resterende filtergeldigheid).
9. Na het reinigingsprogramma gaan de LED's op de gebruikersinterface branden.
10. Kantel de filterkop naar voren, draai de reinigingsbeker ongeveer 90 graden naar links en trek hem naar beneden. Hierdoor komt het los van de filterkop en kan het worden verwijderd.
Let op: Tijdens dit proces worden de kleppen voor inkomend kraanwater en uitgaand gefilterd water in de filterkop automatisch gesloten. Het kan gebeuren dat een kleine hoeveelheid expansiewater uit de filterkop lekt als gevolg van drukpieken. Houd hier rekening mee en plaats een geschikte bak onder de filterkop.
Let op: De schoonmaakbeker is nodig voor de regelmatige schoonmaakprocedure en moet worden bewaard.
11. Plaats het filterpatroon (nieuw of een gebruikt exemplaar met resterende filtergeldigheid) in de filterkop en draai het filterpatroon ongeveer 90 graden naar rechts totdat het niet verder kan worden vastgedraaid. Kantel de filterkop naar achteren.
12. Nadat een geldig filterpatroon is geplaatst, drukt u kort (<2 s) op de filterknop (B) op het apparaat.

De LED's op de gebruikersinterface gaan branden.

13. Installeer de voorklep.

 Het wordt aanbevolen om de ventilator van het apparaat één keer per jaar schoon te maken met een borstel of een stofzuiger.

Kraanbeluchter ontkalken

Gebruik altijd een ontkalkingsmiddel op basis van citroenzuur. Andere middelen beschadigen het materiaal!

Het los- en vastdraaien kan worden vergemakkelijkt door een elastiek om de huls van de kraanbeluchter te wikkelen. Zorg ervoor dat de huls van de kraanbeluchter niet door het gebruik van gereedschap wordt beschadigd.

Kalkaanslag verschijnt op en naast de beluchter van de kraan.

- ▶ Schroef de huls van de kraanbeluchter los.

- ▶ Reinig de beluchter van de kraan met een geschikt ontkalkingsmiddel.
- ▶ Plaats de kraanbeluchter in de huls.
- ▶ Plaats de pakking op de kraanbeluchter en schroef de huls handvast.

Controleer de details in de "Installatiehandleiding", pagina 13.


Reparaties

Het apparaat mag alleen worden gerepareerd door Franke of door gekwalificeerd personeel dat is opgeleid door Franke. Bij het openen van Franke Mythos Water Hub door ongekwalificeerd personeel vervalt de garantie.

Gebruik voor een veilige werking alleen de door de fabrikant gespecificeerde reserveonderdelen. Anders komen alle garantie- en aansprakelijkheidsclaims tegen de fabrikant te vervallen.

Werking en vervanging van filters

Een betrouwbare werking van het systeem kan alleen worden bereikt als het filterpatroon regelmatig wordt vervangen. De verversingscycli zijn afhankelijk van de toepassing en het bijbehorende waterverbruik.

 We raden aan het filterelement niet later dan 12 maanden te vervangen, afhankelijk van het gebruik.

Als het filter niet wordt vervangen, vervalt de garantie.

 Als het apparaat langer dan vier weken niet wordt gebruikt, moet het filterpatroon worden vervangen.

Herverwerking van gebruikte filterpatronen is niet mogelijk. Gebruikte filterpatronen kunnen zonder gevaar worden weggegooid bij het huishoudelijk afval.

Stappen voor filtervervangning

We raden aan het filterpatroon in de volgende volgorde te vervangen (zie de details in de "Installatiehandleiding", pagina 12):

1. Zorg ervoor dat de kraan goed is uitgelijnd boven de gootsteen.
2. Verwijder de voorklep.

3. Als er een nieuw filterpatroon nodig is, gaan de LED's op de gebruikersinterface branden.
4. Kantel de filterkop naar voren, draai het filterpatroon ongeveer 90 graden naar links en trek het naar beneden. Hierdoor komt het los van de filterkop en kan het worden verwijderd.
Let op: Tijdens dit proces worden de kleppen voor inkomend kraanwater en uitgaand gefilterd water in de filterkop automatisch gesloten. Het kan gebeuren dat een kleine hoeveelheid expansiewater uit de filterkop lekt als gevolg van drukpieken. Houd hier rekening mee en plaats een geschikte bak onder de filterkop.
5. Plaats het filterelement in de filterkop en draai het filterelement ongeveer 90 graden naar rechts totdat het niet verder kan worden vastgedraaid. Kantel de filterkop naar achteren.
6. Het apparaat werkt alleen met een Franke RFID-filter, anders werkt het apparaat niet meer. Filterknop (B) 
7. Nadat het filter is vervangen, herkent het apparaat het nieuwe filter en wordt de rode knop op het apparaat groen. De knop op de kraan gaat naar de modus Gereed (witte LED)
8. Het lampje op de elektronische knop wordt oranje; druk op de elektronische knop om het spoelprogramma te starten. Dit duurt ongeveer 2-3 minuten.

Let op: Het spoelwater kan eerst melkachtig of troebel zijn. Dit komt door de verspreide lucht en zal snel verdwijnen.

9. Installeer de voorklep.

Filterinstelling voor waterhardheid

- ▶ Houd de knop 10 sec. ingedrukt. LED begint te knipperen.
- ▶ Draai naar achteren voor de overeenkomstige instelling van de waterhardheid.
- ▶ Druk 2 sec. op de knop om de selectie te bevestigen. LED knippert 3x kort ter bevestiging van de instelling.

LED-kleur	Waarschuwingen voor filtervervang
Oranje	1 maand voor filtervervang, LED brandt constant oranje (50%), aan einde looptijd LED oranje pulserend
Rood/Oranje	Geen filter/RFID-tag niet gedetecteerd

Gebruik en vervanging van de CO₂-cilinder

Nadat er ongeveer 60 liter koolzuurhoudend water is getapt, wordt de waterstraal zwakker en het koolzuurgehalte lager.

Onder 3 bar geeft het apparaat een signaal op het toetsenbord en op de kraan om de CO₂-cilinder te vervangen.

Als deze helemaal leeg is, kan er geen koolzuurhoudend water uit het apparaat worden getapt.



Het systeem ondersteunt CO₂-cilinders zonder extra smaak met 425 g en een trapezodale schroefdraad. Hij is compatibel met de standaardcilinders die verkrijgbaar zijn op de grote marktplaatsen.

- ▶ CO₂-cilinders mogen uitsluitend door bevoegd personeel onderhouden of gerepareerd worden.

Aan het einde van de levensduur, als bijvoorbeeld de verzegeling onvoldoende is, moet het lokaal worden weggegooid volgens de geldende voorschriften of beter worden ingeleverd bij het lokale statiegeldsysteem voor flessen.

CO₂-cilinder vervangingsstappen

We raden aan het CO₂-patroon in de volgende volgorde te vervangen (zie de details in de "Installatiehandleiding", pagina 12):

1. Verwijder de voorklep.
2. Als er een nieuwe CO₂-cilinder nodig is, zullen de LED's op de gebruikersinterface oplichten.
3. Kantel de CO₂-aansluiting naar voren en schroef de gebruikte CO₂-cilinder langzaam los door hem naar links te draaien. Hierdoor wordt het ontgrendeld van het CO₂-drukreduceerventiel en kan het verwijderd worden.

Let op: De lege CO₂-cilinder kan worden ingeleverd bij uw plaatselijke inleverstation voor een hervulling.

4. Haal de nieuwe CO₂-cilinder uit de verpakking en controleer op eventuele beschadigingen aan de kop van de CO₂-fles.
5. Verwijder de beschermkap van de nieuwe CO₂-cilinder en schroef de CO₂-cilinder in het CO₂-drukreduceerventiel door deze naar rechts te draaien tot hij niet verder aangedraaid kan worden. Kantel de CO₂-aansluiting naar achteren.

Let op: Het is belangrijk dat de CO₂-cilinder goed aangedraaid wordt zodat er een strakke afdichting ontstaat. Er kan wat gas ontsnappen en er kan een sissend geluid hoorbaar zijn. Blijf aandraaien tot het niet verder kan. Er mag geen gas meer ontsnappen.
6. Nadat de CO₂-cilinder is gemonteerd, gaan de LED's op de gebruikersinterface groen branden.
7. Installeer de voorklep.

LED-kleur	Waarschuwingen voor het vervangen van een CO ₂ -cilinder
Groen	Bij een druk van <3 bar knippert de LED groen

Verwijdering van het product

We raden aan het product in de volgende volgorde te verwijderen (zie de details in de "Installatiehandleiding", pagina 14):

1. Zorg ervoor dat de kraan goed is uitgelijnd boven de gootsteen.
2. Haal de stekker uit het stopcontact.
3. Schakel de watertoevoer uit en sluit de hoekventielen.
4. Verwijder de voorklep.
5. Kantel de CO₂-aansluiting naar voren en schroef de gebruikte CO₂-cilinder langzaam los door hem naar links te draaien. Hierdoor wordt het ontgrendeld van het CO₂-drukreducieventiel en kan het verwijderd worden.
6. Installeer de voorklep.
7. Koppel de communicatiekabel (D), flexibele waterslang (6, blauw label) en de stangadapter (11) los aan het uiteinde van de wateraansluiting van de unit (C).



Waarschuwing: Gevaar voor verbranding! Het veiligheidsventiel (3) met de flexibele waterslang (5, rode label) mag nooit worden losgekoppeld van het apparaat!

8. (Alleen voor All-in-One apparaat) Demonteer de veiligheidsklep (3) van de muur en koppel de expansiewaterafvoerslang (2) los.
9. De eenheid met het aangesloten veiligheidsventiel kan nu veilig uit de kast worden verwijderd.



Let op: De Franke Mythos Water Hub moet altijd in een geschikte verpakking worden vervoerd. Als een apparaat naar Franke wordt teruggestuurd, moet het zonder CO₂-cilinder worden verzonden.

Afvalverwijdering



Het symbool op het product of op de verpakking geeft aan dat het toestel niet bij het huisvuil mag worden weggegooid.

Door het toestel op de juiste manier weg te gooien, draagt u bij tot het voorkomen van schadelijke gevolgen voor het milieu en de gezondheid.

Meer informatie over het recyclen van het toestel kunt u opvragen bij de bevoegde instantie, de plaatselijke afvalverwerkingsdienst of de verkoper van het toestel.

Breng het weg te gooien toestel naar een gespecialiseerd inzamelpunt voor elektronische en elektrische apparaten.

In overeenstemming met het artikel van wetsbesluit nr. 15 van 25 juli, implementatie van richtlijn 2002/96/EG betreffende de vermindering van het gebruik van gevaarlijke stoffen die worden gebruikt in elektrische en elektronische apparaten, en in afvalverwijdering.

Het symbool van de doorgestreepte vuilnisbak op het toestel geeft aan dat het product aan het einde van zijn levensduur niet als huisvuil mag worden weggegooid.

Het toestel moet dus aan het einde van zijn levensduur naar een geschikt recyclingcentrum voor elektronisch en elektrotechnisch afval worden gebracht of bij de aankoop van een nieuw toestel van een gelijkwaardig type bij de dealer worden ingeleverd.

Een correcte gescheiden afvalinzameling van het afgedankte toestel voor latere recycling, verwerking en milieuvriendelijke afvalverwijdering helpt een mogelijk negatieve impact op het milieu en de gezondheid te voorkomen en vergemakkelijkt de recycling van de materialen die bij de constructie van het toestel zijn gebruikt.

Indice

Informazioni sul presente manuale	97
Informazioni sulla sicurezza	97
Informazioni sul prodotto	101
Caratteristiche del prodotto	101
Panoramica	103
Franke Mythos Water Hub	105
Strumenti richiesti per l'installazione	106
Pulizia e igiene durante l'installazione	106
Installazione	107
Norme generali per l'installazione	107
Fasi dell'installazione	107
Procedura di avviamento	108
Funzionamento del rubinetto	109
Funzionamento della manopola elettronica	109
Selezione dell'intensità del LED	110
Interfaccia utente	111
App Franke @Home	112
Risoluzione dei problemi	112
Manutenzione	115
Manutenzione generale	115
Pulizia	115
Disincrostazione dell'aeratore del rubinetto	116
Riparazioni	116
Funzionamento e sostituzione del filtro	116
Funzionamento e sostituzione del cilindro di CO₂	117
Rimozione del prodotto	118
Smaltimento	118



Informazioni sul presente manuale

Il presente manuale contiene informazioni importanti riguardanti la sicurezza e la corretta installazione e messa in funzione del prodotto.

FRANKE si riserva il diritto di apportare modifiche al prodotto senza preavviso. Tutte le informazioni sono corrette all'emissione.

- ▶ Leggere attentamente il manuale dell'utente prima di utilizzare il dispositivo.

- ▶ Conservare il manuale dell'utente.
- ▶ Utilizzare il dispositivo descritto nel presente manuale dell'utente solo secondo l'uso previsto.

Simbolo	Significato
	Simbolo di avvertenza. Avvertenza contro il rischio di lesioni.
	Operazioni. Specifica un'azione da eseguire.

Informazioni sulla sicurezza

Uso previsto

- Installare il prodotto come descritto nel presente manuale e in conformità alle normative applicabili riguardanti l'installazione, la sicurezza e la fornitura idrica locale.
- L'impianto è progettato per un utilizzo all'interno in ambito domestico, solitamente in cucina. Può anche essere utilizzato in luoghi semi-pubblici, come una cucina per lo staff in negozi, uffici o altri esercizi commerciali, purché siano rispettate le limitazioni di prestazione.
- L'utente è responsabile di tutti i requisiti relativi alla pulizia e alla manutenzione.
- Qualsiasi utilizzo che va oltre l'uso previsto è considerato improprio.

Uso non previsto

- Non è consentito installare Franke Mythos Water Hub nelle seguenti circostanze:
 - In aree in cui vi è un aumento del rischio di contaminazione, ad esempio in ambienti polverosi, non ventilati o umidi o nelle aree intorno a porte e finestre.
 - Su superfici irregolari o in pendenza o nelle immediate vicinanze dei servizi igienici.

- Nelle vie di fuga.
- Direttamente accanto a una fonte di calore, ad esempio un termosifone (lasciare almeno 20 cm di distanza) e in aree esposte alla luce solare diretta per lunghi periodi di tempo.
- In luoghi in cui risulta difficile eseguire la pulizia e la manutenzione dell'unità.
- In luoghi senza una adeguata ventilazione.
- All'esterno.

Limitazione di responsabilità

- La responsabilità per i difetti non coprirà l'usura e il logorio normale o i danni causati da un uso errato o negligente, eccessivo, attrezzature non idonee o da influenze esterne particolari che non rappresentano l'uso previsto.
- Inoltre, Franke non si ritiene responsabile per danni o lesioni derivanti da quanto segue:
 - Installazione errata.
 - Non conformità alle istruzioni e alle informazioni sulla sicurezza contenute nel presente manuale.
 - Manutenzione e/o installazione eseguite da personale non qualificato.

- Manutenzione non corretta (in particolare sostituzione e pulizia non regolari del filtro).
- Modifiche non autorizzate.
- Modifiche tecniche.
- Utilizzo di parti di ricambio non consigliate dal costruttore.
- Utilizzo di parti aggiuntive non rilasciate dal costruttore.
- L'utente è responsabile dell'installazione, manutenzione e utilizzo corretti del prodotto. La garanzia decade se il prodotto e/o i componenti elettrici sono danneggiati a causa di un montaggio scorretto, un uso improprio o qualsiasi altro tipo di uso scorretto.

Note sulla sicurezza



Avvertenza: Nel circuito di raffreddamento dell'unità vi è un refrigerante senza CFC. È infiammabile e potrebbero verificarsi delle perdite se il circuito di raffreddamento è danneggiato.

- Assicurarsi che nessuna parte del circuito di raffreddamento sia danneggiata.
- Se il circuito di raffreddamento dovesse danneggiarsi, evitare fiamme libere e fonti di accensione e assicurarsi una buona ventilazione.
- Non collegare una unità difettosa alla rete elettrica.



Avvertenza: In caso di inalazione di CO₂, è possibile morire di soffocamento.

- La dimensione minima della stanza in cui l'impianto viene installato deve essere di almeno 5 m². Se l'altezza del soffitto della stanza è inferiore a 2 m, questo valore aumenta.
- Se si utilizzano cilindri più grandi, lo spazio libero sul pavimento deve essere proporzionale al volume.
- L'utilizzo di un cilindro di CO₂ esterno è responsabilità dell'utente.



Avvertenza: Parti sotto tensione all'interno del dispositivo!

- Solo il personale addestrato e qualificato ha l'autorizzazione di aprire il dispositivo.
- Installare il prodotto come descritto nel presente manuale e in conformità alle normative applicabili riguardanti l'installazione, la sicurezza e la fornitura idrica locale.
- Non utilizzare il prodotto per scopi diversi da quelli previsti come descritto nel presente manuale.
- Le modifiche al dispositivo sono autorizzate solo da Franke o da personale qualificato formato da Franke.
- Per garantire un funzionamento sicuro, utilizzare solo i pezzi di ricambio specificati dal costruttore. Altrimenti, ciò comporta la perdita della garanzia e della responsabilità nei confronti del costruttore.
- Questo apparecchio non è destinato all'uso da parte di persone (inclusi i bambini) con capacità fisiche, sensoriali o mentali ridotte, a meno che non siano supervisionati o istruiti nel suo utilizzo da parte di una persona responsabile della loro sicurezza.
- Questo apparecchio può essere utilizzato da bambini di età superiore agli 8 anni e da persone con capacità fisiche, sensoriali o mentali ridotte o senza esperienza e conoscenza, purché supervisionate o istruite riguardo l'utilizzo dell'apparecchio in modo sicuro e che comprendano i rischi coinvolti. La pulizia e la manutenzione dell'utente non devono essere effettuate da bambini senza supervisione.
- I bambini devono essere supervisionati per assicurarsi che non si mettano a giocare con l'apparecchio.
- Tenere la spina e il cavo fuori dalla portata dei bambini.
- Le persone che non hanno ancora familiarità con il Franke Mythos Water Hub devono ricevere istruzioni su come


utilizzarlo in modo sicuro e devono essere informate sui potenziali pericoli associati soprattutto all'uso del rubinetto dell'acqua bollente.


- Per i soggetti immunocompromessi o per i neonati, si consiglia generalmente di far bollire l'acqua. Quando si utilizza un filtro con decalcificazione (filtro Pro M Connect), l'acqua nel filtro sarà arricchita di sodio e potrebbe causare problemi alle persone sensibili al sodio o ai neonati. In caso di necessità o dubbi, rivolgersi a un medico o contattare il servizio clienti.
- Restrizioni d'uso per individui vulnerabili: Secondo le raccomandazioni della German Society for Hospital Hygiene e dell'Istituto Robert Koch, non è consigliabile bere acqua dalle macchine distributrici di acqua nelle strutture sanitarie e nelle case di riposo per anziani, a causa delle possibili carenze immunitarie dei pazienti causate da malattie, da terapie o dall'età. Analogamente, il consumo di acqua del rubinetto e quindi anche l'uso dell'acqua dalle macchine distributrici di acqua potabile è generalmente da evitare per le persone affette da immunodeficienza.
- Il dispositivo è progettato per un funzionamento all'interno di una stanza chiusa (solitamente una cucina), ad esempio sotto un lavandino. Può essere collegato solo a una fornitura idrica dotata di una qualità dell'acqua potabile costante secondo le specifiche locali. Negli impianti per acqua sanitaria con sciacquatrici a pressione, le variazioni di pressione possono causare problemi con la pressione del flusso.
- Il dispositivo può essere collegato solo a una connessione di rete protetta da un interruttore differenziale salvavita (GFCI).
- Utilizzare sempre il set di tubi flessibili consegnato con il dispositivo. Quello attuale, disponibile al momento dell'installazione, non può essere riutilizzato.
- In caso di cambiamenti sfavorevoli della qualità dell'acqua all'interno dell'impianto domestico a causa dei lavori di costruzione nell'edificio, è necessario assicurarsi che l'unità venga pulita e disinfettata dall'utente prima rimetterla in servizio. Eventuali detriti (ad esempio, particelle di ruggine) presenti nella tubatura dell'acqua potrebbero danneggiare il funzionamento dell'unità e devono essere evitati.
- Nella posizione di installazione, il Franke Mythos Water Hub dovrà essere protetto da danni meccanici, calore e luce diretta del sole, da fiamme libere e dal pericolo di gelo.
- Il dispositivo dovrà essere posizionato in verticale.
- Collegare la spina a una presa conforme alla normativa attuale, posizionata in un luogo accessibile.
- Per gli apparecchi di Classe I, controllare che l'alimentazione elettrica domestica garantisca una corretta messa a terra.
- Il dispositivo richiede un ricambio dell'aria permanente per garantire che il luogo di installazione non si riscaldi a causa dell'aria calda di scarico. Fornire un'apertura nel pannello posteriore dell'armadio o un'apertura simile nella piastra base.
- Il cavo di alimentazione deve essere posato in modo tale che non possano verificarsi danni. Se il cavo o la spina sono danneggiati, provvedere alla loro sostituzione da parte di un esperto. Se il cavo del segnale al rubinetto è danneggiato, sostituire l'intero rubinetto.
- Sostituire un cavo di alimentazione danneggiato con uno identico da Franke o da personale qualificato formato da Franke.
- Controllare le linee di alimentazione al rubinetto e al dispositivo una volta all'anno. Una perdita in quei punti causerà

immediatamente guasti idraulici. In caso di necessità, contattare il servizio clienti.

- Nell'unità è possibile utilizzare tutti i cilindri di CO₂ standard senza aggiunta di aromi con un volume di 425 gr e filettatura trapezoidale (TR 21×4). La superficie di tenuta effettiva del cilindro di CO₂ dovrebbe essere pulita e priva di graffi o ammaccature. Quando si avvita il cilindro, assicurarsi sempre che venga fissato saldamente. Quando si avvita, potrebbe sentirsi un leggero sibilo e una piccola quantità di CO₂ potrebbe fuoriuscire, il che è normale.
- I cilindri di CO₂ sono sotto pressione. Proteggerli da un eccessivo surriscaldamento provocato dalla luce diretta del sole o da altre fonti di calore. Conservare il cilindro di CO₂ in un ambiente dove non può verificarsi il surriscaldamento dei cilindri. Nel caso in cui si dovesse utilizzare un cilindro di CO₂ esterno, attenersi strettamente alle istruzioni date dal fornitore. Il cilindro di CO₂ non deve essere mai posato in orizzontale.
- In caso di perdite di CO₂ nell'ambiente, far ventilare la stanza e uscire per un po' di tempo in modo da garantire un adeguato ricambio di aria. Anche se venisse rilasciata nell'aria la quantità totale presente all'interno di un cilindro da 425 gr, non è sufficiente a raggiungere concentrazioni pericolose per la vita.
- Durante il trasporto dell'unità, disinstallare il cilindro di CO₂.
- Non utilizzare acqua osmotizzata o altamente filtrata nel sistema. Potrebbe causare problemi nel controllo di livello.
- Non è consentito il funzionamento di Franke Mythos Water Hub senza un filtro Connect. Se Franke Mythos Water Hub è collegato a una rete idrica con un addolcitore d'acqua e la durezza dell'acqua è inferiore a 7 °dKH, è possibile utilizzare un filtro per

acqua dolce (filtro Franke Clear Water Connect) invece di un filtro standard con decalcificazione (filtro Franke Pro M Connect).

 **Attenzione:** Non utilizzare mai utensili seghettati per evitare danni. Ove necessario, usare sempre gli strumenti adeguati per serrare il raccordo.

 Mantenere sempre le etichette di sicurezza e le note sul prodotto in condizioni leggibili. Sostituire immediatamente le etichette di sicurezza e le note danneggiate!


Nella posizione di installazione, il Franke Mythos Water Hub deve essere protetto da danni meccanici, calore e luce diretta del sole, da fiamme libere e dal pericolo di gelo.

I lavandini piastrellati e in pietra non sono resistenti all'acqua bollente; la differenza di temperatura può causare delle crepe. Aprire sempre il rubinetto dell'acqua fredda quando si versa l'acqua bollente e versarla, preferibilmente, direttamente nello scarico.

A causa del continuo miglioramento dei nostri prodotti e/o impianti, le illustrazioni contenute nel presente documento potrebbero differire dall'apparecchio consegnato.

Se disponibile, scaricare l'ultima versione del manuale tramite il nostro sito web: **www.franke.com**


Cartuccia del filtro

 È obbligatorio usare un filtro Franke al fine di proteggere il prodotto dai depositi di calcare. È obbligatorio cambiare il filtro in base alla tabella della durezza dell'acqua.

Dopo essere stato conservato a una temperatura di 0 °C, il filtro deve essere prima tenuto a temperatura ambiente per 24 ore prima di essere installato.

La cartuccia del filtro non deve essere aperta o danneggiata.

Risciacquare attentamente la cartuccia del filtro e l'impianto dopo un periodo di fermo prolungato e/o durante i lavori di manutenzione (2 litri di acqua dopo 1 settimana di fermo; 10 litri di acqua dopo 4 settimane di fermo).

 Sostituire la cartuccia del filtro nel caso in cui, dopo la messa in funzione, non è stata utilizzata per 3 mesi.

Dichiarazione di conformità

Il produttore dichiara che questo dispositivo con funzionalità radio wireless è conforme alla direttiva 2014/53/UE.

Il testo completo della dichiarazione di conformità UE è disponibile al seguente link cercando il codice prodotto:

<https://www.franke.com/en/product-documentation/>

Questo codice si trova sull'etichetta situata all'interno del prodotto.

Bande di frequenza	Potenza massima trasmessa
2,4 GHz	100 mW max.

Dichiarazione di conformità PSTI

Il produttore dichiara che questo prodotto è conforme ai requisiti di sicurezza applicabili nella Scheda 1 del Regolamento sulla sicurezza dei prodotti e sulle infrastrutture di

telecomunicazione 2023 (requisiti di sicurezza per i relativi prodotti collegabili) ("Requisiti di sicurezza").

La Dichiarazione di conformità (SOC) è reperibile al seguente link:

<https://catalog.franke.com/franke/psti/water-hub/>



Condizioni ambientali

Collegare il dispositivo solo a una fornitura idrica con una qualità dell'acqua potabile costante in conformità alle normative locali e con una pressione costante tra 1 e 10 bar a una temperatura dell'acqua tra i 5 °C e i 30 °C. La temperatura ambiente deve essere compresa tra i 10 °C e i 32 °C (valutazione climatica: SN) con umidità relativa dell'aria di massimo 75% e un'altitudine massima di installazione di 2.000 metri sul livello del mare.

Garanzia

Scansionare il codice QR per leggere le linee guida sulla Garanzia:



Informazioni sul prodotto

Franke Mythos Water Hub Sparkling può filtrare, raffreddare e rendere gassata l'acqua del rubinetto. Offre l'opzione dell'acqua filtrata, refrigerata e gassata da un singolo rubinetto. Mythos Water Hub All-in-One può inoltre far bollire l'acqua del rubinetto. Offre l'opzione dell'acqua filtrata, bollente, refrigerata e gassata da un singolo rubinetto.

Caratteristiche del prodotto

Filtro

Per garantire una buona qualità dell'acqua e per proteggere il prodotto da depositi di calcare, collegare un filtro al Franke Mythos Water Hub. Il filtro riduce i portatori di aromi indesiderati e le impurità nell'acqua potabile prima che venga erogata

mediante un processo a flusso continuo. Il materiale del filtro lega gli ioni di metalli pesanti come piombo, rame e cadmio. Il carbone attivo integrato riduce la torbidità indesiderata, le impurità organiche, gli odori e i sapori, nonché i residui di cloro nel filtrato. A seconda della mineralizzazione e del grado di durezza dell'acqua del rubinetto locale, è necessario utilizzare un tipo di filtro diverso.

Capacità

Franke Mythos Water Hub è dotato di un cilindro di CO₂ da 425 gr che eroga circa 60 litri di acqua gassata. Facoltativamente, è possibile aggiungere un cilindro di CO₂ esterno per esigenze più elevate. In quel caso, il riduttore della pressione del cilindro di CO₂ esterno deve essere regolato a 5 bar. La pressione in ingresso sull'unità non deve mai superare i 6 bar. Il serbatoio dell'unità contiene 2,2 litri di acqua refrigerata, 0,6 litri di acqua gassata e altri 4 litri di acqua bollita pressurizzata. La portata dell'acqua varia in base alla pressione della fornitura idrica e al tipo di rubinetto. Quando viene erogata acqua refrigerata o gassata, Franke Mythos Water Hub rabocca immediatamente con acqua fredda del rubinetto.

Metodo di raffreddamento

La temperatura dell'acqua gassata dipende dalla temperatura dell'acqua raffreddata nel serbatoio. L'intervallo di temperatura dell'acqua refrigerata e gassata viene regolato internamente in base alla temperatura ottimale impostata.

Metodo di ebollizione (solo per l'impianto Franke Mythos Water Hub All-in-One)

È possibile regolare l'intervallo di temperatura dell'acqua bollente tra i 80, 90 e 100 °C. Se la temperatura viene regolata su 105 °C, il volume del rubinetto è di circa 2,6 litri sopra i 99 °C. Per quantità di uscita maggiori, la temperatura dell'acqua calda sarà inferiore, mentre l'acqua fredda scorre nella caldaia durante il processo di prelievo dell'acqua e inizia a miscelarsi con l'acqua calda.



Franke Mythos Water Hub non dispone di un'uscita separata dell'acqua bollente per collegare una valvola miscelatrice. Se l'impianto domestico non dispone di una fornitura di acqua calda collegabile direttamente al rubinetto, non è possibile prelevare acqua calda regolando il miscelatore monocomando del rubinetto. In alternativa, la temperatura dell'acqua bollente può essere impostata tra i 80, 90 e 100 °C tramite l'utilizzo dell'applicazione.

Carbonatazione

Il contenuto di CO₂ dell'acqua gassata va da circa 5,0 a 5,5 g/l in condizioni ottimali. Non è possibile regolare questo valore, ma è possibile ottenere una miscelazione con acqua refrigerata per raggiungere un grado di carbonatazione inferiore. Dopo il prelievo dell'acqua gassata, viene eseguito un breve ciclo di follow-up di acqua naturale refrigerata per eliminare dalla tubazione la CO₂ rimanente. Questa funzione evita il gocciolamento del rubinetto, causato fisicamente dall'espansione della CO₂.

Modalità vacanza

È possibile attivare la Modalità vacanza. Dunque, il dispositivo riduce la temperatura di ebollizione a 60 °C e la temperatura dell'acqua refrigerata e gassata a 15 °C.

Nota: Il sapore e l'aspetto dell'acqua trattata dipendono da molti fattori, come ad esempio la mineralizzazione e il grado di durezza dell'acqua del rubinetto locale.

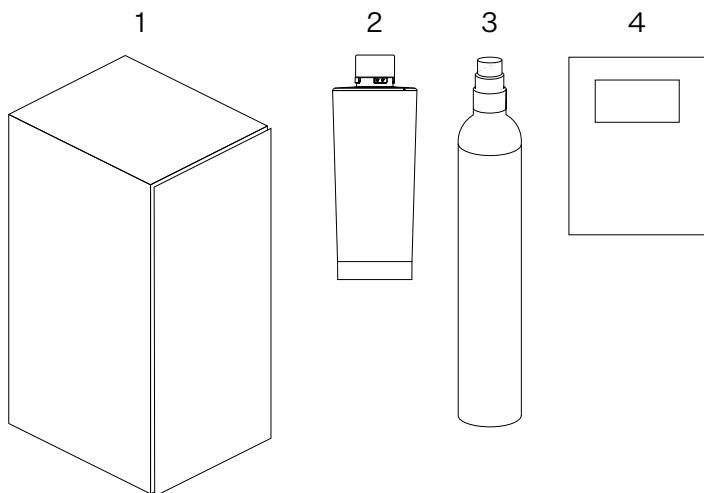
Nota: Un leggero gocciolamento del rubinetto è normale, soprattutto in caso di acqua gassata.

Nota: Se si è in vacanza per più di due settimane, si consiglia di spegnere l'unità. Ciò viene eseguito scollegando il dispositivo o portandolo sulla modalità vacanza.

Nota: Se per circa 14 giorni non viene erogata acqua trattata, si consiglia di far scorrere un po' d'acqua con tutte le opzioni di acqua trattata (filtrata, filtrata/refrigerata, filtrata/refrigerata/gassata, filtrata/bollita) per un minuto ciascuna. Ciò riempirà il serbatoio con acqua dolce e garantirà una qualità ottimale dell'acqua.

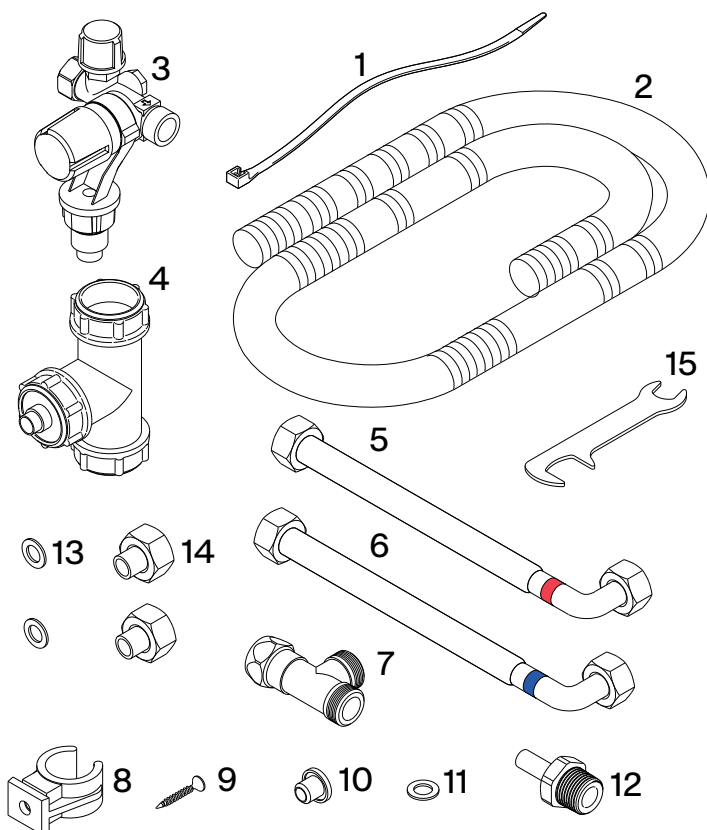
Panoramica

Il pacchetto di Franke Mythos Water Hub contiene i seguenti componenti:



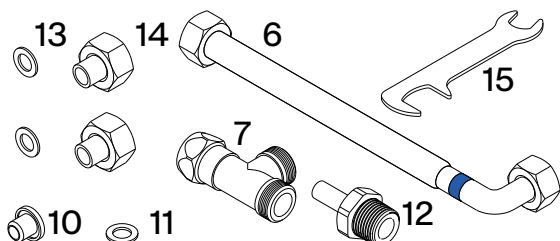
1. Dispositivo
2. Cartuccia del filtro dell'acqua
3. Cilindro di CO₂
4. Kit di installazione

Contenuto di Mythos Water Hub All-in-One

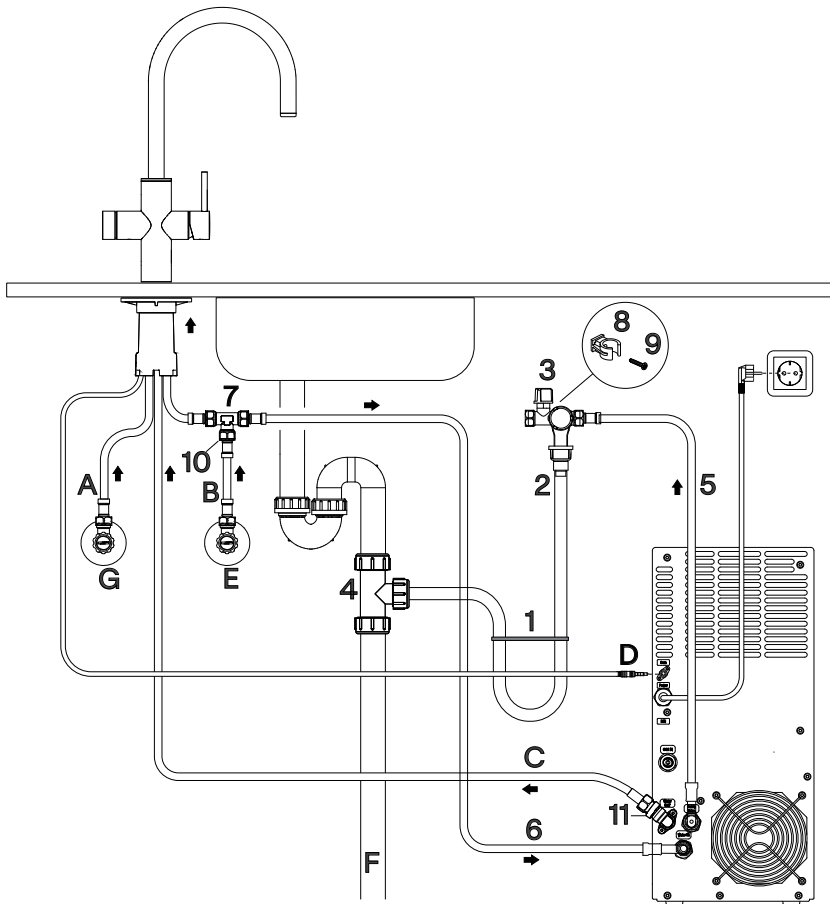


1. Fascetta
2. Tubo flessibile dell'acqua d'espansione
3. Valvola di sicurezza piatta ingresso/uscita
4. Scarico con giunto a T
5. Tubo flessibile dell'acqua (etichetta rossa, 1 m, M15, G1/2")
6. Tubo flessibile dell'acqua (etichetta blu, 1 m, G3/8" G3/8")
7. Raccordo a T 3/8"
8. Morsetto 20/22 mm
9. Vite 4 x 25 pz
10. Filtro a cappello in metallo UE
11. Guarnizione piatta G3/8"
12. Adattatore a stelo ASA 0806M
13. Guarnizione piatta G1/2" (solo per versione nel Regno Unito)
14. Adattatore 1/2"F - 3/8"M (solo per versione nel Regno Unito)
15. Chiave a testa aperta per lamiera da 20/13 mm

Contenuto di Mythos Water Hub Sparkling

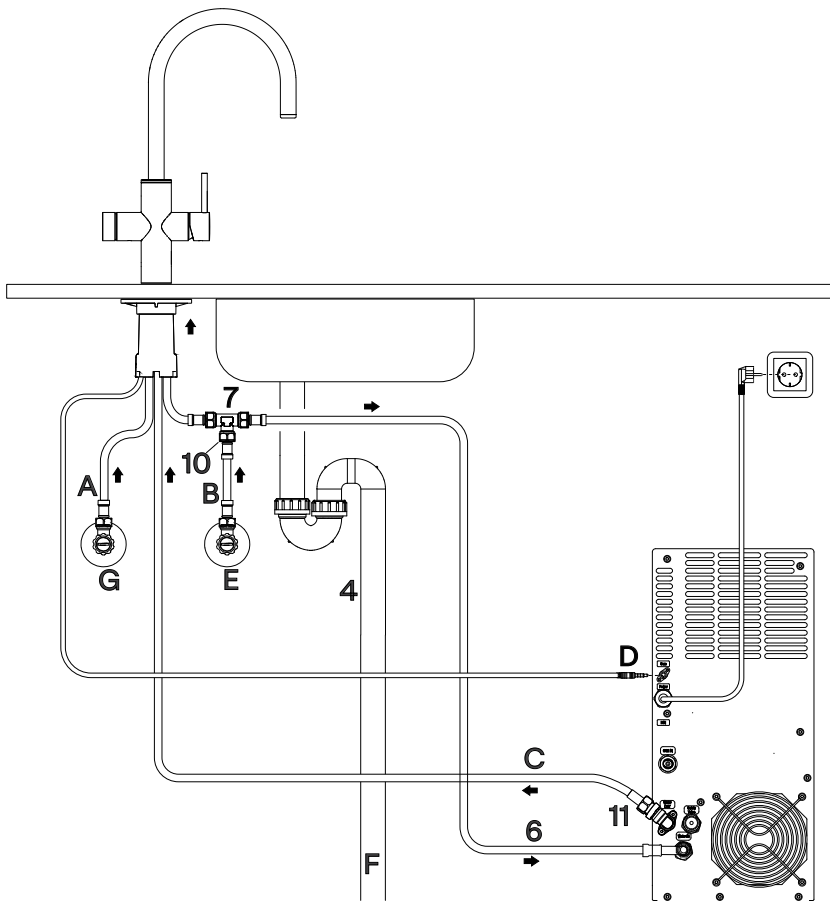


Mythos Water Hub All-in-One



- A Rubinetto acqua calda
 - B Rubinetto acqua fredda
 - C Rubinetto acqua trattata
 - D Cavo di comunicazione
 - E Installazione domestica dell'acqua fredda
 - F Installazione domestica dello scarico
 - G Installazione domestica dell'acqua calda
1. Fascetta
 2. Tubo flessibile dell'acqua d'espansione
 3. Valvola di sicurezza piatta ingresso/uscita
 4. Scarico con giunto a T
 5. Tubo flessibile dell'acqua (etichetta rossa, 1 m, M15, G1/2")
 6. Tubo flessibile dell'acqua (etichetta blu, 1 m, G3/8", G3/8")
 7. Raccordo a T 3/8"
 8. Morsetto 20/22 mm
 9. Vite 4 x 25 pz
 10. Filtro a cappello in metallo UE
 11. Adattatore a stelo ASA 0806M

Mythos Water Hub Sparkling



Franke Mythos Water Hub

Collegare il Franke Mythos Water Hub solo ai rubinetti elettronici designati da Franke con una versione software compatibile.

Controllare i dettagli nel "Manuale per l'installazione", pagina 6.

Collegamenti

Per l'installazione di Franke Mythos Water Hub sono necessari un collegamento alla rete idrica e un circuito di alimentazione separato protetto da un interruttore differenziale salvavita (GFCI) con un adeguato collegamento alla rete dotato di fusibile di almeno 10 A e un'alimentazione di tensione permanente di 220-240 VCA / 50 Hz. Le valvole ad angolo devono già essere installate.

Caratteristiche tecniche generali

Tipi di erogazione dell'acqua	Acqua filtrata refrigerata
	Acqua filtrata gassata
	Acqua filtrata a temperatura ambiente
	Acqua filtrata bollente
Funzionamento	Funzionamento tramite rubinetto elettronico
Parametrizzazione	Parametrizzazione tramite app (BLE)
Dimensioni minime di installazione	Altezza > 440 mm
	Larghezza > 200 mm
	Profondità ≥ 550 mm
Peso netto (vuoto)	20 kg
Peso netto (pieno)	27 kg
Tensione di alimentazione	220-240 VCA / 50 Hz
Carico	7,5 A
Spina	Versione UE = Tipo 303A in conformità a CEE7 Versione UK = Tipo G /BS 1363 British 3 pin
Consumo massimo di energia	All in One: 1.725 W (±10%) Sparkling: 230 W
Consumo di potenza in standby	All in One: 19 W (raffreddamento ed ebollizione attivi) Sparkling: 5,5 W (raffreddamento attivo)
Livello di pressione sonora (installazione libera)	37 ± 4 dB in funzionamento 0 dB in standby
Classificazione IP	IPx1
Certificazioni	CE-UKCA

Acqua filtrata refrigerata

Volume del serbatoio	2,2 l
Principio di raffreddamento	configurazione "tank-in-tank"
Gamma di controllo della temperatura	circa 4-10 °C, non regolabile
Portata senza compensatore	circa 2,5 l/min @ 3 bar
Tempo di raffreddamento	ΔT = 10 K in 8 minuti (da 20 °C a 10 °C) (da 25 °C a 5 °C: in circa 35 minuti)

Acqua filtrata gassata

Volume del serbatoio	0,6 l
Principio di raffreddamento	configurazione "tank-in-tank"
Carbonatazione	Impianto di carbonatazione con pompa Booster a iniezione
Gamma di controllo della temperatura	circa 4-10 °C, non regolabile
Portata	circa 2 l/min @ 3 bar
Livello di carbonatazione	contenuto di CO ₂ di circa 5,0-5,5 g/l

Acqua bollente filtrata (solo All in One)

Volume del serbatoio	caldaia pressurizzata da 4,0 l
Gamma di controllo della temperatura	80/90/100 °C, regolabile tramite applicazione
Portata	circa 2 l/min @ 3 bar
Tempo di ebollizione	da 15 °C a 100 °C: in circa 15 minuti
Classe di efficienza energetica del riscaldamento dell'acqua	A

Filtro (controllare il manuale di istruzioni incluso)

Tipo di filtro	Filtro di protezione (filtro Franke Pro M Connect o filtro Franke Clear Water Connect)
Diametro del filtro della cartuccia	95 mm
Altezza del filtro della cartuccia	245 mm
Testa del filtro	A baionetta
Capacità del filtro	Circa 1.700 litri a 10 °dH

Strumenti richiesti per l'installazione

- 1 x chiave da 24 mm,
- 1 x chiave da 22 mm,
- 1 x chiave da 20 mm,
- 1 x chiave da 19 mm,
- 1 x chiave da 13 mm,
- taglierina per tappeti,
- cacciavite a croce (o cacciavite e punta PZ),
- sega a mano,
- metro a nastro,
- matita.

A seconda dell'infrastruttura esistente, potrebbero essere necessari utensili aggiuntivi, ad esempio cacciavite a taglio per la valvola ad angolo.



Non utilizzare mai utensili seghettati per evitare danni. Ove necessario, usare sempre gli strumenti adeguati per serrare il raccordo.

Pulizia e igiene durante l'installazione

Durante l'installazione evitare rigorosamente la contaminazione delle parti che conducono acqua (ad es. guarnizioni, collegamenti dei tubi, filettature, ecc.). Raccomandiamo di pulire accuratamente le mani e di evitare il contatto della pelle con superfici che verranno successivamente a contatto con l'acqua potabile.

Installazione

Norme generali per l'installazione

Collocamento del Franke Mythos Water Hub

Assicurarsi che ci sia sufficiente spazio nell'armadio in cucina e un'agevole accessibilità per i lavori di assistenza e manutenzione. È necessario avere abbastanza spazio dietro l'unità per permettere la fuoriuscita dell'aria calda dallo scarico (min. 5-10 cm). Dunque, Franke consiglia una profondità di min. 550 mm, una larghezza di min. 200 mm e un'altezza di min. 440 mm per l'armadio.

Ventilazione dell'armadio della cucina

Per garantire buone prestazioni di Franke Mythos Water Hub, l'armadio della cucina in cui è installata l'unità deve essere sufficientemente ventilato. Fornire un'apertura di circa 20 x 40 cm (800 cm²) nel pannello posteriore dell'armadio o un'apertura simile nella piastra base con almeno 5 cm di gioco al pavimento e sui lati.

Consigliamo di installare Franke Mythos Water Hub nell'ordine seguente:

1. Preparare l'installazione.
2. Installare la valvola di sicurezza (solo per l'unità All in One).
3. Collegare la fornitura idrica.
4. Collegare il dispositivo.



Installare la valvola di sovrappressione il più in alto possibile nell'armadio della cucina (solo per l'unità All-in-One).



Durante l'installazione, serrare attentamente tutti i collegamenti.

Fasi dell'installazione



Durante il trasporto del Franke Mythos Water Hub sul luogo dell'installazione, il liquido di raffreddamento potrebbe entrare nelle tubazioni. Per assicurarsi che il liquido di raffreddamento torni indietro, accendere il dispositivo solo dopo una pausa di almeno 2 ore.

Nota: Durante questa fase, è possibile preparare l'installazione, ma non inserire l'alimentazione elettrica del dispositivo.

Controllare i dettagli nel "Manuale per l'installazione", pagina 3-10.

Preparare l'installazione (solo per l'unità All in One) ("Manuale per l'installazione", pagina 3-6)

1. Verificare che vengano rispettati tutti i requisiti di installazione, ad esempio, spazio, collegamenti, etc.
2. Chiudere la fornitura idrica e le valvole ad angolo. Se non disponibile, contrassegnare il collegamento esistente dell'acqua fredda e dell'acqua calda.
3. Installare il rubinetto.

Installare la valvola di sicurezza (solo per l'unità All in One) ("Manuale per l'installazione", pagina 6-7)

1. Chiudere il rubinetto d'intercettazione della valvola di sicurezza (3). Verificare ruotando il rubinetto verso destra. La valvola di espansione del gruppo sicurezza è tarata in fabbrica a 8 bar. **Avviso:** Per motivi di sicurezza, potrebbe fuoriuscire dell'acqua dalla tubazione di sfiato nella fase di riscaldamento durante il funzionamento.
2. Collegare il tubo flessibile dell'acqua (5, etichetta rossa) alla valvola di sicurezza (3). **Avviso:** Installare il gruppo sicurezza contro la direzione del flusso indicata dalla freccia sul lato posteriore del gruppo sicurezza.
3. Collegare il tubo flessibile dell'acqua d'espansione (2) alla valvola di sicurezza (3). **Avviso:** Assicurarsi che il tubo flessibile sia inserito completamente e che non vi sia spazio tra la valvola di sicurezza e il tubo flessibile da cui potrebbe fuoriuscire dell'acqua.
4. Montare la valvola di sicurezza (3) nel punto più alto sotto il ripiano dell'armadio e la vite a testa piatta (9). **Avviso:** Posizionare la valvola di sicurezza (3) chiaramente sopra il collegamento allo scarico. Ciò garantisce il flusso dell'acqua solo nello scarico e che non ritorni nel gruppo sicurezza. La distanza all'unità deve essere < 1 m in modo da poter utilizzare il tubo flessibile dell'acqua fornito in dotazione.
5. Collegare lo scarico con giunto a T (4) allo scarico. Collegare l'altra estremità del tubo flessibile dell'acqua d'espansione (2) allo scarico con giunto a T (4). **Avviso:** Posizionare lo scarico della valvola di sicurezza dopo il sifone. Se necessario, accorciare il tubo flessibile dell'acqua

d'espansione con un coltello. Assicurarsi che il taglio sia dritto. Assicurarsi che il tubo flessibile sia inserito completamente.

Avviso: Formare una chiusura idraulica con il tubo dell'acqua d'espansione (2) e legarla con la fascetta (1).

Collegare la fornitura idrica ("Manuale per l'installazione", pagina 7-8)

1. Collegare il raccordo a T (7) e il filtro a cappello (10) all'installazione dell'acqua fredda (E) e all'installazione dell'acqua calda (B).
Per il Regno Unito: collegare l'adattatore (18-19) tra l'installazione dell'acqua fredda (E) e il raccordo a T (7).
Avviso: È estremamente importante installare il filtro a cappello.
2. Collegare il tubo flessibile dell'acqua (6, etichetta blu) al raccordo a T (7).
3. Collegare il collegamento dell'acqua calda (A) del rubinetto all'installazione dell'acqua calda (G).
Per il Regno Unito: collegare l'adattatore (18-19) tra l'installazione dell'acqua fredda (E) e il raccordo a T (7).
4. Collegare il collegamento dell'unità (C) del rubinetto all'adattatore a stelo (11).

Collegare il Franke Mythos Water Hub ("Manuale per l'installazione", pagina 8)

1. Collegare il tubo flessibile dell'acqua (6, etichetta blu) all'unità (collegamento "Water IN").
2. Collegare il tubo flessibile dell'acqua (5, etichetta rossa) all'unità (collegamento "Valvola di sicurezza").
Avviso: Assicurarsi che il tubo flessibile non blocchi alcun collegamento.
3. Collegare l'adattatore a stelo (11) all'unità (collegamento "Water OUT").
Avviso: Assicurarsi che il tubo flessibile non blocchi alcun collegamento.
4. Collegare il cavo di comunicazione (D) del rubinetto all'unità (collegamento "Com").
Avviso: Assicurarsi che la spina sia inserita completamente.
Avviso: Verificare che vi sia abbastanza spazio per tutti i componenti e assicurarsi che i tubi non siano piegati, attorcigliati o troppo tirati. Devono essere instradati senza deviazioni. Non posizionare prese multiple o alimentatori portatili sulla parte posteriore dell'unità.

Installazione del filtro ("Manuale per l'installazione", pagina 9-10)

1. Rimuovere il coperchio anteriore.
2. Per rimuovere la coppetta di lavaggio, inclinare la testa del filtro in avanti e ruotare la coppetta di circa 90 gradi verso sinistra.
Avviso: La coppetta di lavaggio è necessaria per la procedura di pulizia regolare e deve essere conservata.
3. Inserire la cartuccia del filtro nella testa del filtro e ruotare la cartuccia del filtro di circa 90 gradi verso destra fino al punto massimo di serraggio. Inclinare la testa del filtro all'indietro.
4. Non installare ancora il cilindro di CO₂.
5. Aprire la rete idrica, aprire le valvole ad angolo e controllare l'integrità della tenuta dell'installazione. Non devono verificarsi perdite d'acqua da nessun punto.

Nota: Si consiglia di utilizzare solo filtri con tag RFID (ad esempio filtro Pro M Connect), altrimenti il dispositivo smetterà di funzionare.

Procedura di avviamento



Durante l'avviamento, risciacquare una volta il Franke Mythos Water Hub. Questa procedura viene eseguita automaticamente durante il processo.

Per preparare l'unità all'uso, si consiglia di eseguire l'avviamento nell'ordine seguente:

1. Assicurarsi che il rubinetto sia allineato perfettamente sopra il lavandino.
2. Controllare manualmente il collegamento dell'acqua calda e dell'acqua fredda per assicurarsi che la fornitura idrica funzioni.
3. Inserire il cavo dell'alimentazione.
Avviso: Assicurarsi che il cavo dell'alimentazione non sia piegato, bloccato o danneggiato.
4. Il primo avviamento dura circa 20 secondi.
Avviso: Non interrompere il processo premendo alcun pulsante o scollegando il cavo.
5. Dopo l'avviamento del dispositivo, i LED sul rubinetto si accenderanno.
Premere brevemente il pulsante Reset / Standby sull'unità (<2 s) per avviare il primo programma di risciacquo.
6. Il primo programma di risciacquo dura circa 5-6 minuti.
Avviso: Non interrompere il processo premendo alcun pulsante o scollegando il cavo. Altrimenti, è necessario un riavvio completo. Scollegare il dispositivo dall'alimentazione e il processo deve essere riavviato dal passaggio 3.

7. Dopo il primo programma di risciacquo, i LED presenti sulla manopola si accenderanno.
Avviso: Il rubinetto deve già essere riempito di acqua, ad esempio il risciacquo iniziale deve essere completato prima di attivare l'erogazione di CO₂.

Installazione del cilindro CO₂ ("Manuale per l'installazione", pagina 12)

1. Rimuovere il cappuccio di protezione dal cilindro di CO₂, inclinare il collegamento CO₂ in avanti e avvitare il cilindro di CO₂ nella valvola di riduzione della pressione di CO₂ ruotandolo verso destra fino al punto massimo di serraggio. Inclinare il collegamento CO₂ all'indietro.

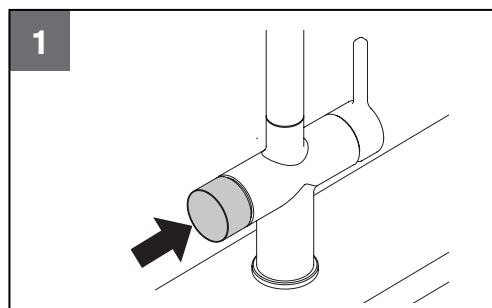
Avviso: Il cilindro di CO₂ deve essere serrato accuratamente in modo da formare una tenuta ermetica. Potrebbe verificarsi una piccola perdita di gas e potrebbe sentirsi un sibilo. Continuare a serrare fino al punto massimo di serraggio. Non dovrebbe sentirsi più alcuna fuoriuscita di gas.

2. Dopo l'assemblaggio della bombola di CO₂, i LED sull'interfaccia utente si accenderanno passando dal rosso al verde.
3. Installare il coperchio anteriore.
4. L'unità si raffredda e si riscalda in circa 25 minuti, trascorsi i quali il dispositivo è pronto per l'uso.
Avviso: La qualità finale della carbonatazione verrà stabilita dopo aver utilizzato il prodotto per alcuni giorni.

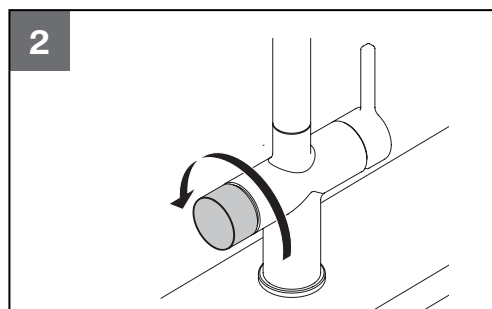
Funzionamento del rubinetto

Funzionamento della manopola elettronica

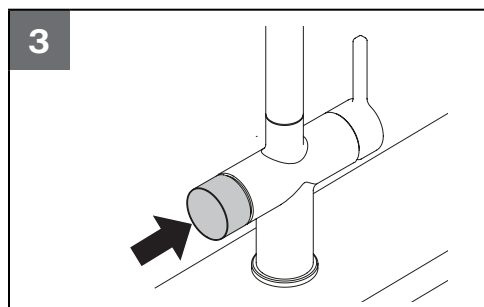
- ▶ La manopola elettronica in modalità standby non è soggetta al movimento rotatorio.
- ▶ Per attivare la manopola elettronica, premere brevemente 1 volta (fig. 1).



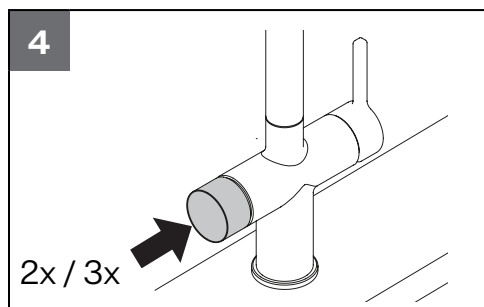
- ▶ Ruotare la manopola elettronica in avanti o all'indietro per scegliere il tipo di acqua che si desidera - il colore del LED cambia con il movimento (fig. 2).



- ▶ Per il flusso continuo dell'acqua scelta, tenere premuta la manopola elettronica (fig. 3).
 Disattivazione: Rilasciare la manopola.



- ▶ Per la quantità di acqua scelta di 0,5, 1 o 2 litri, premere brevemente la manopola elettronica secondo le informazioni riportate nella tabella seguente (fig. 4).
 Disattivazione: Premere brevemente 1 volta.



- ▶ Tenere l'oggetto da riempire vicino al rubinetto in modo che l'oggetto circondi l'apertura dell'erogazione del rubinetto. Ciò eviterà che l'acqua schizzi.

Colore del LED	Funzione	Funzionamento			Display LED	
		Premere	Tenere premuto	Premere 2 volte		Premere 3 volte
Bianco	Modalità Standby*	Attivare la manopola premendo il LED 1 volta			-	Luci
Rosso	Acqua bollente		Flusso continuo dell'acqua fino al rilascio della manopola	Erogazione di 1 l di acqua (con interruzione se si preme ulteriormente)	Erogazione di 2 l di acqua (con interruzione se si preme ulteriormente)	
Blu	Acqua fredda filtrata					In funzionamento
Turchese	Acqua filtrata					
Verde	Acqua fredda "gassata"		Flusso continuo dell'acqua fino al rilascio della manopola	Erogazione di 0,5 l di acqua (con interruzione se si preme ulteriormente)	Erogazione di 1 l di acqua (con interruzione se si preme ulteriormente)	
Verde chiaro	Acqua fredda "gassata" "media" regolabile tramite app					

*Nessuna funzione con movimento rotatorio

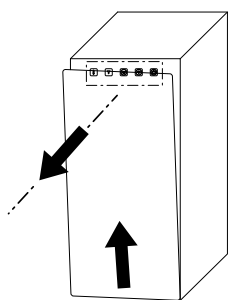
Selezione dell'intensità del LED

Dopo 60 secondi di non utilizzo del rubinetto, entrerà automaticamente in modalità notte, intensità del LED al 50%.

Per cambiare le impostazioni della modalità notte, attenersi alle seguenti istruzioni.

1. Attivare il rubinetto premendo la manopola elettronica una volta.
2. Premere la manopola elettronica 5 volte.
3. Il LED inizia a lampeggiare.
4. Ruotare la manopola sull'impostazione preferita ruotandola in avanti o all'indietro:
 1. Intensità al 50%, impostazione predefinita,
 2. Intensità al 10%,
 3. Completamente spento.
5. Tenere premuta la manopola elettronica per 2 secondi per confermare. Il LED lampeggia 3 volte per la conferma.

Interfaccia utente



- A. Livello di CO₂
- B. Durata del filtro
- C. Pulizia
- D. Connettività
- E. Reset / Modalità vacanza



Livello di CO₂

LED di stato	Significato
Fisso: Verde	CO ₂ > 3 bar
Lampeggiante: Rosso	CO ₂ < 3 bar / cilindro di CO ₂ vuoto



Durata del filtro

(solo per i filtri con etichetta RFID)

LED di stato	Significato
Fisso: Verde	Tempo rimanente del filtro > 10%
Lampeggiante: Rosso	Tempo rimanente del filtro ≤ 10%
Fisso: Rosso	Tempo rimanente del filtro ≤ 0% o ultimo cambio del filtro > 6-12 mesi a seconda della durezza dell'acqua, ad esempio cambio filtro richiesto



Pulizia

LED di stato	Significato
Fisso: Verde	Nessuna pulizia richiesta
Lampeggiante: Rosso	La pulizia viene richiesta se l'ultima pulizia > 6 mesi
Lampeggiante: Blu (conto alla rovescia)	Processo di pulizia in esecuzione

Per avviare il programma di pulizia, premere il pulsante per 5 secondi.



Connettività

LED di stato	Significato
Fisso: Bianco	Connessione attiva
Lampeggiante: Blu	Modalità accoppiamento connessione

Franke Mythos Water Hub può essere collegato all'applicazione mobile Franke @Home.

- ▶ Per la prima connessione all'applicazione mobile, premere il pulsante per 5 secondi finché tutti i LED non lampeggiano in blu e seguire le istruzioni dell'applicazione.



Reset / Modalità vacanza

LED di stato	Significato
Fisso: Verde	Modalità funzionamento attiva
Lampeggiante: Verde	Il dispositivo si riavvia
Lampeggiante: Rosso	Modalità vacanza attivata

- ▶ Per ripristinare / riavviare l'unità, premere il pulsante per 5 secondi.
- ▶ Per avviare la modalità vacanza, premere il pulsante brevemente per meno di 2 secondi.
- ▶ Per riattivare l'unità dalla modalità vacanza, premere un pulsante qualsiasi.



In caso di errore, tutti i pulsanti lampeggiano in rosso.

Scollegare l'alimentazione per almeno 10 secondi e riavviare il dispositivo. Se questa azione non risolve il problema, contattare il servizio clienti.

App Franke @Home

Con l'app Franke @Home è possibile monitorare lo stato del Franke Mythos Water Hub e personalizzare i parametri di funzionamento (ad es. la temperatura dell'acqua bollente).

App Store



Google Play



Risoluzione dei problemi

Guasto	Possibile causa	Soluzione
Perdita di acqua nel punto di collegamento del rubinetto	Tubo di collegamento dell'acqua fredda/calda allentato	Serrare con una chiave aperta.
	Tubo di collegamento della tenuta del raccordo acqua fredda/calda difettoso o danneggiato.	Sostituire la tenuta.
Perdita di acqua nel punto di collegamento allo scarico	Profondità di inserimento troppo piccola oppure il tubo non è stato tagliato diritto.	Controllare la profondità di inserimento del tubo flessibile e il tagliante.
	Installazione ad angolo della valvola di sicurezza.	Controllare che la valvola di sicurezza si installa orizzontalmente e che non vi sia spazio rispetto al tubo di scarico.
Perdita di acqua nei punti di collegamento del dispositivo	Tubo di collegamento dell'acqua fredda/calda/trattata allentato.	Serrare con una chiave aperta.
	Tubo di collegamento della tenuta del raccordo acqua fredda/calda/trattata difettoso o danneggiato.	Sostituire la tenuta.
Perdita di acqua in corrispondenza di un tubo flessibile	Tubo flessibile fragile o rotto.	Sostituire il tubo flessibile che perde.
Perdita di acqua nel dispositivo	Perdita nel dispositivo.	Scollegare il dispositivo e contattare il servizio clienti.
La valvola di sicurezza perde	Espansione durante il riscaldamento dell'acqua	Nessun guasto, funzionamento normale.
	Gocciolamento continuo a causa dello sporco.	Azionare manualmente la manopola sulla valvola di espansione per eliminare le particelle di sporco. Sostituire la valvola di sicurezza.

Guasto	Possibile causa	Soluzione
Sibili provenienti dall'unità	Il cilindro di CO ₂ non è stretto correttamente.	Ruotare il cilindro di CO ₂ verso destra con decisione fino al punto massimo di serraggio. Utilizzare un nuovo cilindro di CO ₂ in quanto la superficie di tenuta potrebbe essere danneggiata.
	Il riduttore della pressione interna è guasto o danneggiato.	Contattare il servizio clienti.
Il rubinetto non eroga acqua	Le valvole angolari dell'installazione della fornitura idrica sono chiuse.	Aprire le valvole angolari, controllare il funzionamento dell'acqua calda e fredda.
	La valvola principale dell'acqua è chiusa.	Aprire la valvola principale dell'acqua.
	I tubi flessibili sono piegati.	Raddrizzare i tubi piegati.
	Il rubinetto è ostruito.	Ispezionare il rubinetto e pulire l'aeratore.
Non è possibile prelevare acqua filtrata, refrigerata, gassata, bollente	Filtro non installato correttamente.	Ruotare la cartuccia del filtro verso destra con decisione fino al punto massimo di serraggio.
	Nessun collegamento tra il rubinetto e il dispositivo.	Collegare saldamente il connettore del cavo di comunicazione.
	Il kit di installazione non è installato correttamente.	Verificare la corretta installazione del kit di installazione.
Non è possibile prelevare acqua bollente	Il dispositivo è stato utilizzato senza filtro in zone con un elevato contenuto di calcare nell'acqua potabile.	Contattare il servizio clienti.
	La caldaia è guasta.	Contattare il servizio clienti.
La CO ₂ viene estratta dal rubinetto anziché dall'acqua	La pompa ad alta pressione è guasta.	Contattare il servizio clienti.
L'acqua prelevata contiene poca o nessuna CO ₂	Il cilindro di CO ₂ è vuoto oppure non è collegato.	Sostituire o collegare correttamente il cilindro di CO ₂ .
		Scaricare circa 1 litro di acqua gassata se il cilindro di CO ₂ prima era vuoto.
		Controllare i tubi di collegamento per una corretta installazione.
		Se si utilizza un cilindro di CO ₂ esterno, il riduttore della pressione deve essere regolato a 5 bar.
	Utilizzare solo i cilindri di CO ₂ standard da 425 gr e una filettatura trapezoidale (TR 21 X 4).	
L'acqua non viene sufficientemente raffreddata e dunque non riesce ad assorbire abbastanza CO ₂ .	Attendere che l'unità di raffreddamento raffreddi l'acqua a un livello sufficiente.	
Il riduttore di pressione all'interno del dispositivo è guasto.	Contattare il servizio clienti.	

Guasto	Possibile causa	Soluzione
L'acqua refrigerata e gassata prelevata è troppo calda	In brevissimo tempo è stata prelevata molta acqua.	Attendere che l'unità di raffreddamento raffreddi l'acqua a un livello sufficiente.
	Il raffreddamento è guasto (il compressore non è in funzione).	Contattare il servizio clienti.
	Surriscaldamento del dispositivo.	Assicurare una ventilazione sufficiente nell'armadio e ridurre la temperatura ambiente.
Il dispositivo funziona a prestazioni inferiori.	Il collegamento della rete dell'acqua calda viene utilizzato per l'ingresso dell'acqua del dispositivo.	Assicurarsi che il collegamento della rete dell'acqua fredda venga utilizzato per l'ingresso del dispositivo.
Non è possibile accendere il dispositivo	La spina di alimentazione non è inserita.	Inserire la spina di alimentazione in una presa a muro protetta da un interruttore differenziale salvavita (GFCI).
	La spina di alimentazione o il cavo sono danneggiati o difettosi.	Contattare il servizio clienti.
	Assenza di alimentazione.	Controllare il fusibile della spina e, se presente, l'interruttore differenziale salvavita (GFCI). Contattare l'installatore dell'impianto elettrico.
	Sensore perdita attivo.	Scollegare il dispositivo e contattare il servizio clienti.
	Problema software.	Scollegare l'alimentazione per almeno 10 secondi e riavviare il dispositivo.
	Corto circuito all'interno del dispositivo.	Scollegare il dispositivo e contattare il servizio clienti.
Il processo di pulizia non è in esecuzione	Coppetta di lavaggio non installata correttamente.	Ruotare la coppetta di lavaggio verso destra con decisione fino al punto massimo di serraggio.
Impossibile connettere il dispositivo all'applicazione	La connettività sul dispositivo è disattivata.	Attivare la connessione
Il dispositivo mostra un codice colore sconosciuto	Guasto del dispositivo.	Scollegare l'alimentazione per almeno 10 secondi e riavviare il dispositivo.
		Contattare il servizio clienti.

Se non si è in grado di gestire il malfunzionamento o il difetto, contattare il servizio assistenza Franke, l'installatore o il rivenditore.

Manutenzione

Manutenzione generale

- ▶ Pulire il rubinetto solo con il detergente per rubinetti Franke. Visitare il nostro negozio online Franke.



Non utilizzare agenti detergenti che contengono solventi o acidi, come anticalcare, aceto domestico o agenti detergenti con acido acetico. Queste sostanze potrebbero danneggiare la superficie. Il rubinetto si opacizza e si graffia.

- ▶ È possibile prevenire i depositi di calcare asciugando il rubinetto dopo l'utilizzo.
- ▶ In caso di depositi di calcare, rimuoverli utilizzando un detergente a base di acido citrico.
- ▶ Per gli interventi di manutenzione o riparazione, utilizzare sempre ricambi originali Franke. Ciò garantisce la sicurezza e il corretto funzionamento del prodotto e salvaguarda eventuali richieste di garanzia.
- ▶ La sostituzione o la riparazione delle parti deve essere effettuata solo dall'assistenza Franke.


Pulizia

Per motivi di igiene e salute, pulire il Franke Mythos Water Hub ogni 6 mesi. Consigliamo di pulire l'unità nell'ordine seguente:


1. Assicurarsi che il rubinetto sia allineato perfettamente sul lavandino durante il processo di pulizia.
2. Rimuovere il coperchio anteriore.
3. Se è necessario un processo di pulizia, i LED sull'interfaccia utente si accenderanno.
4. Inclinare la testa del filtro in avanti, ruotare la cartuccia del filtro di circa 90 gradi verso sinistra e tirarla giù. Questa azione la sbloccherà dalla testa del filtro e ne consentirà la rimozione.
Avviso: Durante questo processo, le valvole dell'acqua di rubinetto in entrata e dell'acqua filtrata in uscita nella testa del filtro si chiudono automaticamente. Può succedere che una piccola quantità di acqua d'espansione fuoriesca dalla testa del filtro a causa dei picchi di pressione. Tenere presente questa possibilità e posizionare un contenitore adatto sotto la testa del filtro.

5. Inserire una pastiglia di pulizia (Franke consiglia di utilizzare "Bevi Tab Aqua", pastiglie di pulizia ad acqua) nella vaschetta di pulizia.

Avviso: L'utilizzo di pastiglie detergenti alternative potrebbe comportare una pulizia non corretta del dispositivo.

6. Inserire la coppetta di lavaggio nella testa del filtro e ruotare la coppetta di circa 90 gradi verso destra fino al punto massimo di serraggio. Inclinare la testa del filtro all'indietro.
7. Premere il pulsante per la pulizia (C)  presente sull'unità per 5 secondi fino a quando il LED (C) non lampeggia in blu per eseguire il programma di pulizia.
8. Il programma di pulizia dura circa 75 minuti. Nel frattempo, verrà mostrato un conto alla rovescia sull'interfaccia utente. Inizialmente, tutti i LED si illuminano di blu e poi si spengono gradualmente uno per uno.

Avviso: Non interrompere il processo premendo un pulsante o scollegando il dispositivo.

Diversamente, il processo si interromperà. Per rendere l'unità nuovamente pronta all'uso, è necessario avviare un programma di risciacquo di 40 minuti. A tale scopo, premere il pulsante Pulizia (C) . I tre pulsanti sul lato destro iniziano a lampeggiare in blu. Quando il processo è completo, tutti i LED si accendono.

Prima del processo di lavaggio, rimuovere la vaschetta di pulizia e inserire una cartuccia del filtro (nuova o usata con validità del filtro rimanente).

9. Dopo il programma di pulizia, i LED sull'interfaccia utente si accenderanno.
10. Inclinare la testa del filtro in avanti, ruotare la coppetta di lavaggio di circa 90 gradi verso sinistra e tirarla giù. Questa azione la sbloccherà dalla testa del filtro e ne consentirà la rimozione.
Avviso: Durante questo processo, le valvole dell'acqua di rubinetto in entrata e dell'acqua filtrata in uscita nella testa del filtro si chiudono automaticamente. Può succedere che una piccola quantità di acqua d'espansione fuoriesca dalla testa del filtro a causa dei picchi di pressione. Tenere presente questa possibilità e posizionare un contenitore adatto sotto la testa del filtro.

Avviso: La coppetta di lavaggio è necessaria per

la procedura di pulizia regolare e deve essere conservata.

11. Inserire la cartuccia del filtro (nuova o usata con validità del filtro rimanente) nella testa del filtro e ruotare la cartuccia del filtro di circa 90 gradi verso destra fino al punto massimo di serraggio. Inclinare la testa del filtro all'indietro.
12. Dopo aver inserito una cartuccia del filtro valida, premere brevemente il pulsante del filtro (B) sull'unità (<2 s). I LED sull'interfaccia utente si accenderanno.
13. Installare il coperchio anteriore.



Si consiglia di pulire il ventilatore dell'unità una volta all'anno con una spazzola o con un aspirapolvere.

Disincrostazione dell'aeratore del rubinetto

Usare sempre un detergente disincrostante a base di acido citrico. L'utilizzo di altre sostanze potrebbe danneggiare il materiale.

L'allentamento e il serraggio possono essere facilitati avvolgendo una fascia elastica attorno al manicotto dell'aeratore del rubinetto. Assicurarsi che il

manicotto dell'aeratore del rubinetto non venga danneggiato dall'uso di utensili.

I depositi di calcare appariranno sopra e sul lato dell'aeratore del rubinetto.

- ▶ Svitare il manicotto dell'aeratore del rubinetto.
- ▶ Pulire l'aeratore del rubinetto usando un detergente disincrostante adatto.
- ▶ Posizionare l'aeratore del rubinetto nel manicotto.
- ▶ Posizionare la guarnizione sull'aeratore del rubinetto e avvitare manualmente il manicotto.

Controllare i dettagli nel "Manuale per l'installazione", pagina 13.

Riparazioni

Il dispositivo deve essere riparato solo da Franke o da personale qualificato formato da Franke. L'apertura del Franke Mythos Water Hub da parte di personale non qualificato comporta la decadenza della garanzia.

Per garantire un funzionamento sicuro, utilizzare solo i pezzi di ricambio specificati dal costruttore.

Altrimenti, ciò comporta la perdita della garanzia e della responsabilità nei confronti del costruttore.

Funzionamento e sostituzione del filtro

È possibile raggiungere un funzionamento affidabile dell'impianto solo se la cartuccia del filtro viene sostituita regolarmente. I cicli di ricambio dipendono dall'applicazione e dal consumo di acqua associato.



Consigliamo di sostituire il filtro della cartuccia entro e non oltre i 12 mesi a seconda dell'utilizzo.

La mancata sostituzione del filtro comporterà la decadenza della garanzia.



Se il dispositivo non viene utilizzato per più di quattro settimane, la cartuccia filtrante deve essere sostituita.

Non è possibile riciclare le cartucce del filtro usate. Le cartucce del filtro usate possono essere smaltite senza pericolo nei rifiuti domestici.


Passaggi per la sostituzione del filtro

Consigliamo di sostituire la cartuccia del filtro nell'ordine seguente (controllare i dettagli nel "Manuale per l'installazione", pagina 12):

1. Assicurarsi che il rubinetto sia allineato perfettamente sopra il lavandino.
2. Rimuovere il coperchio anteriore.
3. Quando è necessario inserire una nuova cartuccia del filtro, i LED sull'interfaccia utente si accenderanno.
4. Inclinare la testa del filtro in avanti, ruotare la cartuccia del filtro di circa 90 gradi verso sinistra e tirarla giù. Questa azione la sbloccherà dalla testa del filtro e ne consentirà la rimozione.

Avviso: Durante questo processo, le valvole dell'acqua di rubinetto in entrata e dell'acqua filtrata in uscita nella testa del filtro si chiudono automaticamente. Può succedere che una piccola quantità di acqua d'espansione fuoriesca dalla testa del filtro a causa dei picchi di

pressione. Tenere presente questa possibilità e posizionare un contenitore adatto sotto la testa del filtro.

5. Inserire la cartuccia del filtro nella testa del filtro e ruotare la cartuccia del filtro di circa 90 gradi verso destra fino al punto massimo di serraggio. Inclinare la testa del filtro all'indietro.
6. Il dispositivo funziona solo con un filtro Franke RFID, altrimenti il dispositivo smetterà di funzionare.
Pulsante filtro (B) 
7. Dopo aver cambiato il filtro, l'unità riconosce il nuovo filtro e il pulsante rosso sull'unità diventa verde. La manopola sul rubinetto entra in modalità Ready (LED bianco).
8. Premere la manopola elettronica per avviare il programma di risciacquo. Il programma dura circa 2-3 minuti.
Avviso: Inizialmente l'acqua di risciacquo potrebbe essere lattiginosa o torbida. Ciò è dovuto all'aria che si disperde e diventerà trasparente molto velocemente.
9. Installare il coperchio anteriore.

Impostazioni del filtro per la durezza dell'acqua

- ▶ Tenere premuta la manopola per 10 secondi. Il LED inizia a lampeggiare.
- ▶ Ruotare all'indietro per l'impostazione della durezza dell'acqua corrispondente.
- ▶ Premere il pulsante per 2 secondi per la conferma della selezione. Il LED lampeggia brevemente per 3 volte per la conferma dell'impostazione.

Colore del LED	Avvertenze per il cambio del filtro
Arancione	1 mese prima del cambio del filtro, il LED si illumina costantemente in arancione (50%), al termine della durata il LED arancione lampeggia
Rosso/Arancione	Nessun filtro/etichetta RFID rilevata

Funzionamento e sostituzione del cilindro di CO₂

Dopo aver prelevato circa 60 litri di acqua gassata, il getto d'acqua diventa più debole e il contenuto di anidride carbonica diminuisce.

Al di sotto dei 3 bar il dispositivo mostra sulla tastiera e sul rubinetto un segnalazione di sostituire il cilindro di CO₂.

Se è completamente vuoto, non è possibile prelevare acqua gassata dall'unità.



L'impianto supporta cilindri di CO₂ senza aroma aggiuntivo da 425 gr e una filettatura trapezoidale. È compatibile con i cilindri standard disponibili sui mercati principali.

- ▶ I cilindri di CO₂ dovranno essere sottoposti a manutenzione o riparati solo da personale autorizzato.

Alla fine del ciclo di vita, se ad esempio la tenuta non è sufficiente, dovrà essere smaltito localmente secondo le normative in vigore o meglio essere restituito tramite il sistema locale di deposito bottiglie.

Passaggi per la sostituzione del cilindro di CO₂

Consigliamo di sostituire la cartuccia di CO₂ nell'ordine seguente (controllare i dettagli nel "Manuale per l'installazione", pagina 12):

1. Rimuovere il coperchio anteriore.
2. Quando è necessario un nuovo cilindro di CO₂, i LED sull'interfaccia utente si accenderanno.
3. Inclinare in avanti il collegamento della CO₂ e svitare lentamente il cilindro di CO₂ usato ruotandolo verso sinistra. Questa azione lo sbloccherà dalla valvola di riduzione della pressione di CO₂ e ne consentirà la rimozione.
Avviso: È possibile restituire il cilindro di CO₂ vuoto presso la stazione di restituzione locale per una ricarica.
4. Rimuovere la nuova bombola di CO₂ dalla sua confezione e verificare eventuali danni sulla testa della bombola di CO₂.
5. Rimuovere il cappuccio di protezione dal nuovo cilindro di CO₂ e avvitare il cilindro di CO₂ nella valvola di riduzione della pressione di CO₂ ruotandolo verso destra fino al punto massimo di serraggio. Inclinare all'indietro il collegamento CO₂ all'indietro.

Avviso: È importante che il cilindro di CO₂ deve essere serrato accuratamente in modo da formare una tenuta ermetica. Potrebbe verificarsi una piccola perdita di gas e potrebbe sentirsi un sibilo. Continuare a serrare fino al punto massimo di serraggio. Non dovrebbe sentirsi più alcuna fuoriuscita di gas.

6. Dopo l'assemblaggio della bombola di CO₂, i LED sull'interfaccia utente si accenderanno in verde.
7. Installare il coperchio anteriore.

Colore del LED	Avvertenze per la sostituzione del cilindro di CO ₂
Verde	Se la pressione è inferiore a 3 bar, il LED lampeggia in verde.

Rimozione del prodotto

Consigliamo di rimuovere il prodotto nell'ordine seguente (controllare i dettagli nel "Manuale per l'installazione", pagina 14):

1. Assicurarsi che il rubinetto sia allineato perfettamente sopra il lavandino.
2. Scollegare il cavo dell'alimentazione.
3. Chiudere la fornitura idrica e le valvole ad angolo.
4. Rimuovere il coperchio anteriore.
5. Inclinare in avanti il collegamento della CO₂ e svitare lentamente il cilindro di CO₂ usato ruotandolo verso sinistra. Questa azione lo sbloccherà dalla valvola di riduzione della pressione di CO₂ e ne consentirà la rimozione.
6. Installare il coperchio anteriore.
7. Disconnettere il cavo di comunicazione (D), il tubo flessibile dell'acqua (6, etichetta blu)

e l'adattatore a stelo (11) all'estremità del collegamento idrico dell'unità (C).



Avvertenza: Pericolo di scottatura! Non scollegare mai la valvola di sicurezza (3) con il tubo flessibile dell'acqua (5, etichetta rossa) dall'unità!

8. (Solo per il dispositivo All-in-One) Smontare la valvola di sicurezza (3) dal muro e scollegare il tubo flessibile di scarico dell'acqua d'espansione (2).
9. Ora è possibile rimuovere con sicurezza dall'armadio l'unità con la valvola di sicurezza collegata.



Avviso: Trasportare il Franke Mythos Water Hub senza in un imballaggio adeguato. Se si restituisce un dispositivo a Franke, deve essere spedito senza un cilindro di CO₂.

Smaltimento



Il simbolo presente sul prodotto o sull'imballaggio indica che il dispositivo non deve essere smaltito insieme ai rifiuti domestici.

Smaltendo l'apparecchio in modo corretto si contribuisce ad evitare conseguenze dannose per l'ambiente e la salute.

Ulteriori informazioni sul riciclaggio del dispositivo sono disponibili presso l'autorità competente, il servizio locale di smaltimento rifiuti o il venditore del dispositivo.

Smaltire l'apparecchio, che è da gettare, presso un punto di raccolta rifiuti specializzato per dispositivi elettrici ed elettronici.

Ai sensi dell'articolo del D.Lgs. n. 15 del 25 luglio, Attuazione della Direttiva 2002/96/CE relativa alla riduzione delle sostanze pericolose utilizzate nelle apparecchiature elettriche ed elettroniche e nello smaltimento dei rifiuti.

Il simbolo del bidone della spazzatura barrato riportato sull'apparecchio indica che il prodotto al termine della sua vita utile non deve essere smaltito come rifiuto domestico.

Di conseguenza, quando l'apparecchio ha raggiunto la fine della sua vita utile, l'utente dovrà consegnarlo presso un idoneo centro di riciclaggio di rifiuti elettronici ed elettrotecnici, oppure restituirlo al rivenditore al momento dell'acquisto di un nuovo apparecchio di tipo equivalente.

La corretta raccolta differenziata dell'apparecchio rottamato per il successivo riciclaggio, trattamento e smaltimento ecocompatibile aiuta a prevenire un impatto potenzialmente negativo sull'ambiente e sulla salute e facilita il riciclaggio dei materiali utilizzati durante la costruzione dell'apparecchio.

Índice

Acerca de este manual	120
Información de seguridad	120
Cartucho filtrante	123
Información sobre el producto	124
Características del producto	124
Resumen	126
Mythos Water Hub de Franke	128
Herramientas necesarias para la instalación	129
Limpieza e higiene durante la instalación	129
Instalación	130
Puntos generales para la instalación	130
Pasos de la instalación	130
Puesta en marcha	131
Funcionamiento del grifo	132
Funcionamiento del mando electrónico	132
Selección de la intensidad del LED	133
Interfaz de usuario	134
Aplicación Franke @Home	135
Solución de problemas	135
Mantenimiento	138
Mantenimiento general	138
Limpieza	138
Desincrustar el aireador del grifo	139
Reparaciones	139
Funcionamiento y sustitución del filtro	139
Funcionamiento y sustitución del cilindro de CO₂	140
Retirada del producto	141
Eliminación	141



Acerca de este manual

Este manual contiene información importante sobre la instalación y puesta en marcha seguras y correctas del producto.

FRANKE se reserva el derecho a realizar modificaciones en el producto sin previo aviso. Toda la información es correcta en el momento de su publicación.

- ▶ Leer atentamente el manual del usuario antes de utilizar el aparato.

- ▶ Conservar el manual de usuario.
- ▶ Utilice el aparato descrito en este manual sólo de acuerdo con el uso previsto.

Símbolo	Significado
	Símbolo de advertencia. Advertencia contra los riesgos de lesiones.
	Paso a la acción. Especifica una acción a realizar.

Información de seguridad

Uso previsto

- Instale el producto tal y como se describe en este manual y de acuerdo con las normas de instalación, seguridad y suministro de agua locales aplicables
- El sistema está diseñado para su uso en interiores en una cocina privada en los hogares, por lo general en el entorno de la cocina. También puede utilizarse en lugares semipúblicos, como la cocina del personal de tiendas, oficinas u otros establecimientos comerciales, si se respetan las limitaciones de rendimiento.
- El usuario es responsable de todos los requisitos de limpieza y mantenimiento.
- Cualquier uso distinto del previsto se considera uso indebido.

Uso no previsto

- No está permitida la instalación de Franke Mythos Water Hub:
 - En zonas donde exista un mayor riesgo de contaminación, por ejemplo, en entornos polvorientos, sin ventilación o húmedos o en zonas alrededor de puertas y ventanas.
 - En superficies desiguales o inclinadas o en las inmediaciones de aseos.


- En rutas de escape.
- Directamente junto a una fuente de calor, por ejemplo, un calefactor (a una distancia mínima de 20 cm) y en zonas con luz solar directa durante un largo período de tiempo.
- En lugares que dificulten la limpieza y el mantenimiento de la unidad.
- En lugares sin ventilación suficiente.
- Al aire libre.

Limitación de responsabilidad


- La responsabilidad por defectos no cubrirá el desgaste habitual ni los daños que se produzcan como consecuencia de una manipulación defectuosa o descuidada, un uso excesivo, un equipamiento inadecuado o debido a influencias externas especiales que no representen el uso previsto.
- Además, Franke no se hace responsable de los daños o lesiones derivados de lo siguiente:
 - Instalación incorrecta.
 - Incumplimiento de las instrucciones e indicaciones de seguridad de este manual.

- Mantenimiento y/o instalación por personal no cualificado.
- Mantenimiento inadecuado (en especial, no cambiar y limpiar el filtro con regularidad).
- Modificaciones no autorizadas.
- Modificaciones técnicas.
- Utilización de piezas de recambio no recomendadas por el fabricante.
- Utilización de piezas adicionales no autorizadas por el fabricante.
- El usuario es responsable de la correcta instalación, mantenimiento y uso del producto. La garantía quedará anulada si el producto y/o los componentes eléctricos resultan dañados por un montaje incorrecto, un uso inadecuado o cualquier otro tipo de uso indebido.

Notas de seguridad

 **Advertencia:** El circuito de refrigeración de la unidad contiene un refrigerante sin CFC. ¡Es inflamable y puede tener fugas si se daña el circuito de refrigeración!

- Asegúrese de que ninguna pieza del circuito de refrigeración esté dañada.
- Si en algún momento se daña el circuito del refrigerante, evite el fuego abierto y las fuentes de ignición y asegúrese de que haya una buena ventilación.
- No conecte a la red un aparato defectuoso.

 **Advertencia:** ¡Existe peligro de muerte por asfixia si se inhala CO₂!

- El tamaño mínimo de la habitación en la que se instale el sistema debe ser de al menos 5 m². Si la habitación tiene una altura de techo inferior a 2 m, este valor aumenta.
- Si se utilizan cilindros más grandes, el espacio libre en el suelo debe ser proporcional al volumen.
- El uso de un cilindro externo de CO₂ es responsabilidad del usuario.

 **Advertencia:** ¡Piezas activas en el interior del aparato!

- El aparato sólo puede ser abierto por personal formado y cualificado.
- Instale el producto tal y como se describe en este manual y de acuerdo con la normativa aplicable en materia de instalación, seguridad y suministro de agua local.
- No utilice el producto para fines distintos de los previstos en este manual.
- Las modificaciones en o sobre el aparato sólo están permitidas por Franke o por personal cualificado formado por Franke.
- Para garantizar un funcionamiento seguro, utilice únicamente las piezas de recambio especificadas por el fabricante. De lo contrario, se anulará toda reclamación de garantía y responsabilidad contra el fabricante.
- Este aparato no está diseñado para ser utilizado por personas (incluidos niños) con capacidades físicas, sensoriales o mentales reducidas, a menos que sean supervisadas o instruidas en su uso por una persona responsable de su seguridad.
- Este aparato puede ser utilizado por niños a partir de 8 años y por personas con capacidades físicas, sensoriales o mentales reducidas o con falta de experiencia y conocimientos, si han recibido supervisión o instrucciones sobre el uso del aparato de forma segura y comprenden los peligros que conlleva. La limpieza y el mantenimiento del usuario no deben ser realizados por niños sin supervisión.
- Los niños deben ser vigilados para evitar que jueguen con el aparato.
- Mantener el enchufe y el cable fuera del alcance de los niños.
- Las personas que aún no estén familiarizadas con el Mythos Water Hub

de Franke deben recibir instrucciones sobre cómo utilizarlo de forma segura y ser informadas de los peligros potenciales asociados especialmente al uso del grifo de agua hirviendo.

- Para las personas inmunodeprimidas o los bebés, se suele recomendar hervir el agua. Al utilizar un filtro con descalcificación (filtro Pro M Connect), el agua del filtro estará enriquecida con sodio y puede causar problemas a las personas sensibles al sodio o a los bebés. En caso necesario o de duda, póngase en contacto con un médico o con el servicio de atención al cliente.
- Restricciones de uso para personas vulnerables: Según las recomendaciones de la Sociedad Alemana de Higiene Hospitalaria y el Instituto Robert Koch, no se recomienda beber agua de dispensadores de agua en centros sanitarios y residencias de ancianos, debido a posibles deficiencias inmunitarias de los pacientes causadas por la enfermedad, la terapia o la edad. Del mismo modo, las personas inmunodeprimidas deben evitar el consumo de agua del grifo y, por tanto, también el uso de agua procedente de dispensadores de agua potable.
- El aparato está diseñado para funcionar en interiores, en una habitación cerrada (normalmente una cocina), por ejemplo, debajo de un fregadero. Sólo puede conectarse a un suministro de agua con una calidad de agua potable constante de acuerdo con las especificaciones locales. En los sistemas de agua potable con enjuagadoras a presión, las variaciones de presión pueden provocar problemas con la presión de salida.
- El aparato sólo puede conectarse a una toma de corriente con protección GFCI.
- Utilice siempre el juego de mangueras suministrado con el aparato. El actual, disponible en la instalación, no puede reutilizarse.
- En caso de que se produzcan cambios adversos en la calidad del agua dentro de la instalación doméstica debido a trabajos de construcción en el edificio, debe garantizarse que la unidad sea limpiada y desinfectada por el usuario antes de volver a ponerla en funcionamiento. Cualquier residuo (por ejemplo, partículas de óxido) de la tubería de agua puede perjudicar el funcionamiento de la unidad y debe evitarse.
- En el lugar de instalación, Franke Mythos Water Hub, deberá protegerse de daños mecánicos, calor y luz solar directa, llamas abiertas y peligro de heladas.
- El dispositivo se colocará en posición vertical.
- Conecte el enchufe a una toma que cumpla la normativa vigente, situada en un lugar accesible.
- Para los aparatos de clase I, compruebe que la red eléctrica doméstica garantiza una toma de tierra adecuada.
- El dispositivo requiere un intercambio de aire permanente para garantizar que el lugar de instalación no pueda calentarse debido al aire de escape caliente. Debe preverse una abertura en el panel trasero del armario o una abertura similar en la placa base.
- El cable de alimentación se colocará de forma que no pueda sufrir daños. Si el cable o el enchufe están dañados, deben ser sustituidos por un especialista. Si el cable de señal de la toma está dañado, debe sustituirse toda la toma.
- Un cable de alimentación dañado debe ser sustituido por uno idéntico por Franke o por personal cualificado formado por Franke.
- Compruebe una vez al año los conductos de suministro de manguera al grifo y al aparato. Una fuga en esos puntos provocará inmediatamente daños por agua. Si es necesario, póngase en

contacto con el servicio de atención al cliente.

- En la unidad pueden utilizarse todas las botellas de CO₂ estándar sin sabor adicional con un volumen de 425 g y rosca trapezoidal (TR 21×4). La superficie de sellado real del cilindro de CO₂ debe estar limpia y sin arañazos ni abolladuras. Al enroscar el cilindro, asegúrese siempre de que quede bien ajustado. Al enroscar, puede producirse un ligero silbido y salir una pequeña cantidad de CO₂, lo cual es normal.
- Los cilindros de CO₂ están bajo presión. Protéjalos del sobrecalentamiento por la luz solar directa u otras fuentes de calor. Almacene el cilindro de CO₂ en un entorno donde no pueda producirse el calentamiento de los cilindros. En caso de utilizar un cilindro externo de CO₂, deberán seguirse estrictamente las instrucciones del proveedor. El cilindro de CO₂ nunca debe colocarse horizontalmente.
- Si el CO₂ se escapa a la habitación, ventile la habitación y déjela durante algún tiempo para garantizar un suministro suficiente de aire fresco. Incluso la cantidad total contenida en un cilindro de 425 g no es suficiente para alcanzar concentraciones en el aire que pongan en peligro la vida si se escapa.
- Si transporta la unidad, deberá desinstalar el cilindro de CO₂.
- No utilice agua de ósmosis ni agua muy filtrada en el sistema. Puede provocar problemas en el control de nivel.
- No está permitido utilizar el Mythos Water Hub de Franke sin filtro Connect. Si el Franke Mythos Water Hub está conectado a un suministro de agua con un descalcificador y la dureza del agua es inferior a 7 °dKH, se podría utilizar un filtro de agua dulce (filtro Franke Clear Water Connect) en lugar de un filtro estándar con descalcificación (filtro Franke Pro M Connect).



Precaución: No utilice nunca herramientas dentadas para evitar daños. En caso necesario, utilice siempre las herramientas adecuadas para apretar el acoplamiento.



Mantenga siempre legibles las etiquetas de seguridad y las notas sobre el producto. ¡Sustituya inmediatamente las etiquetas y notas de seguridad dañadas!

- En el lugar de instalación, Franke Mythos Water Hub debe protegerse de daños mecánicos, calor y luz solar directa, llamas abiertas y peligro de heladas.
- Los fregaderos de azulejos y piedra no resisten el agua hirviendo; la diferencia de temperatura puede hacer que se agrieten. Abra siempre el grifo de agua fría cuando vierta agua hirviendo y, preferiblemente, vierta el agua hirviendo directamente en el desagüe.
- Como resultado de la mejora continua de nuestros productos y/o sistemas, las ilustraciones de este documento pueden diferir del aparato suministrado.
- Si está disponible, puede descargar la última versión del manual a través de nuestro sitio web: **www.franke.com**


Cartucho filtrante



El uso de un filtro Franke es obligatorio para proteger el producto contra los depósitos de cal. Es obligatorio cambiar el filtro en función de la tabla de dureza del agua.

- Tras el almacenamiento a una temperatura de 0 °C, el filtro debe almacenarse primero durante 24 horas a temperatura ambiente antes de instalarlo.
- El cartucho filtrante no debe abrirse ni dañarse.
- El cartucho filtrante y el sistema deben lavarse de forma intensiva tras un periodo de parada prolongado y/o durante los

trabajos de mantenimiento (2 litros de agua de lavado tras 1 semana de parada; 10 litros de agua de lavado tras 4 semanas de parada).

 El cartucho filtrante debe sustituirse si, tras la puesta en servicio, no ha estado en funcionamiento durante 3 meses.

Declaración de conformidad

El fabricante declara que este dispositivo con funcionalidad de radio inalámbrica se ajusta a la Directiva 2014/53/UE.

El texto completo de la declaración UE de conformidad está disponible en el siguiente enlace indicando el código del producto:

<https://www.franke.com/en/product-documentation/>

Este código se puede encontrar en la etiqueta ubicada dentro del producto.

Bandas de frecuencia	Potencia máxima transmitida
2,4 GHz	Máx. 100 mW

Declaración de cumplimiento de PSTI

El fabricante declara que este producto cumple los requisitos de seguridad aplicables del anexo 1 de la normativa sobre seguridad de productos e infraestructura de telecomunicaciones (Product Security and Telecommunications Infrastructure), en cuanto a los requisitos de seguridad para productos conectables relevantes, de 2023 («Requisitos de seguridad»).

Información sobre el producto

Franke Mythos Water Hub Sparkling puede filtrar, enfriar y carbonizar el agua del grifo. Ofrece la opción de agua filtrada, refrigerada y carbonatada desde un único grifo. Mythos Water Hub All-in-One también puede hervir agua del grifo. Ofrece la opción de agua filtrada, hervida, refrigerada y carbonatada desde un único grifo.

La Declaración de Cumplimiento (SOC) se puede encontrar en el siguiente enlace:

<https://catalog.franke.com/franke/psti/water-hub/>



Condiciones ambientales

El aparato sólo puede conectarse a un suministro de agua con una calidad de agua potable constante según las especificaciones locales y una presión de flujo constante de entre 1 y 10 bares a una temperatura del agua de entre 5 °C y 30 °C. La temperatura ambiente debe estar entre 10 °C y 32 °C (clasificación climática: SN) con una humedad relativa del aire máxima del 75 % y una altitud máxima de instalación de 2000 m sobre el nivel del mar. 75% y una altitud máxima de instalación de 2000 m sobre el nivel del mar.

Garantía

Escanee el código QR para acceder a las directrices de la garantía:



Características del producto

Filtro

Para garantizar una buena calidad del agua y proteger el producto contra los depósitos de cal, debe conectarse un filtro al Mythos Water Hub de Franke. El filtro reduce los portadores de sabores no

deseados y las impurezas del agua potable antes de que se dispense mediante un proceso de flujo continuo. El material filtrante fija iones de metales pesados como el plomo, el cobre y el cadmio. El carbón activado integrado reduce la turbidez no deseada, las impurezas orgánicas, los olores y sabores, así como los residuos de cloro en el filtrado. Dependiendo del grado de mineralización y dureza del agua del grifo local, deberá utilizarse un tipo de filtro diferente.

Capacidad


Franke Mythos Water Hub está equipado con un cilindro de CO₂ de 425 g que suministra aproximadamente 60 litros de agua carbonatada. Opcionalmente, se puede añadir un cilindro externo de CO₂ para mayores exigencias. En ese caso, el reductor de presión de la botella externa de CO₂ debe ajustarse a 5 bares. La presión de entrada en la unidad nunca debe superar los 6 bares. El depósito de la unidad contiene 2,2 litros de agua refrigerada, 0,6 litros de agua carbonatada y otros 4 litros de agua hervida a presión. El caudal varía en función de la presión del suministro de agua y del tipo de grifo. Cuando se dispensa agua fría o carbonatada, Franke Mythos Water Hub rellena inmediatamente con agua fría del grifo.

Método de enfriamiento

La temperatura del agua carbonatada depende de la temperatura del agua enfriada en el depósito. El rango de temperatura del agua refrigerada y carbonatada se ajusta internamente a la temperatura óptima establecida.

Método de ebullición (sólo para el sistema Mythos Water Hub All-in-One de Franke)

El intervalo de temperatura del agua hirviendo puede ajustarse entre de 80, 90 a 100 °C. Si la temperatura se ajusta a 105 °C, el volumen del grifo es de aprox. 2,6 litros por encima de 99 °C. Para cantidades de salida superiores, la temperatura del agua caliente será inferior mientras el agua fría fluye hacia la caldera durante el proceso de extracción de agua y comienza a mezclarse con el agua caliente.

 Franke Mythos Water Hub no tiene una salida de agua hirviendo separada para conectar una válvula mezcladora. Si la instalación de la casa no dispone de un suministro principal de agua caliente que pueda conectarse directamente al grifo, no es posible extraer agua caliente ajustando el mezclador monomando del grifo. Alternativamente, la temperatura del agua hirviendo puede ajustarse entre 80, 90 y 100 °C mediante la aplicación.

Carbonatación

El contenido de CO₂ del agua carbonatada es de aproximadamente 5,0 a 5,5 g/l en condiciones óptimas. Este valor no puede ajustarse, pero es posible realizar una mezcla con agua refrigerada para alcanzar un menor grado de carbonatación. Tras la extracción del agua carbonatada, se realiza un breve recorrido de agua sin gas refrigerada para eliminar el CO₂ restante de la línea. Esta función evita el goteo del grifo que se produce físicamente debido a la expansión del CO₂.

Modo vacaciones

Se puede activar un modo de vacaciones (véase el apartado 6.2). Por lo tanto, el dispositivo reduce la temperatura de ebullición a 60 °C y la temperatura del agua enfriada y carbonatada a 15 °C.

Nota: El sabor y el aspecto del agua acondicionada dependen de muchos factores, como el grado de mineralización y dureza del agua del grifo local.

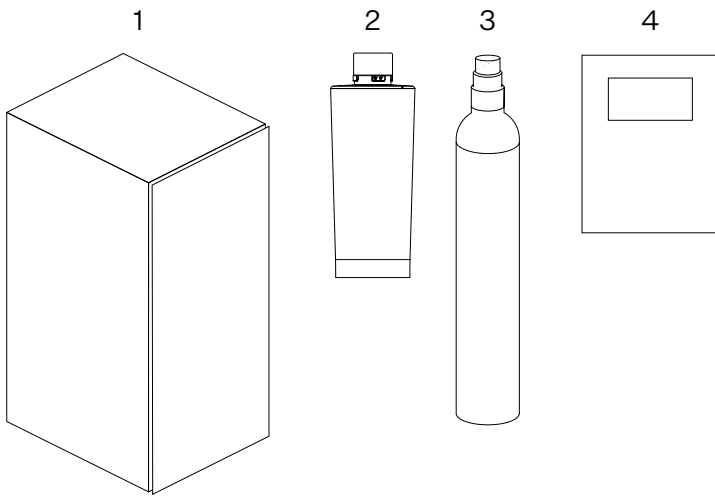
Nota: Es normal que el grifo gotee un poco, sobre todo con agua carbonatada.

Nota: Si se va de vacaciones más de dos semanas, se recomienda apagar la unidad. Esto se hace desenchufando el aparato o poniéndolo en modo vacaciones.

Nota: Si no se dispensa agua acondicionada durante aproximadamente 14 días, recomendamos enjuagar todas las opciones de agua acondicionada (filtrada, filtrada / refrigerada, filtrada / refrigerada / carbonatada, filtrada / hirviendo) durante un minuto cada una. Esto rellenará el depósito con agua fresca y garantizará una calidad óptima del agua.

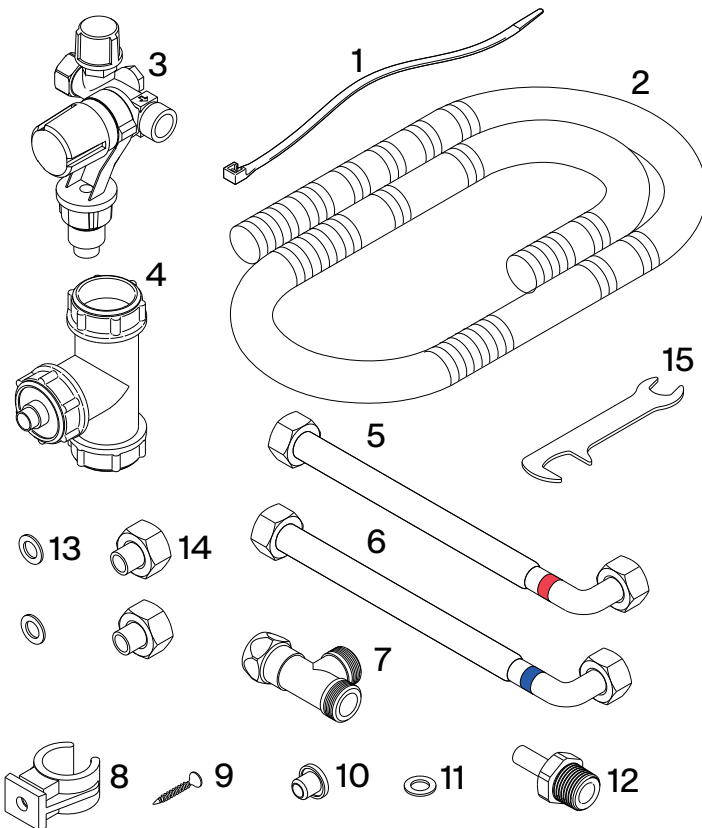
Resumen

El paquete de Franke Mythos Water Hub contiene los siguientes componentes:



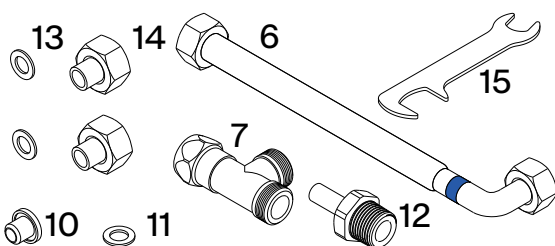
1. Dispositivo
2. Cartucho de filtro de agua
3. Cilindro de CO₂
4. Kit de instalación

Contenido de Mythos Water Hub All-in-One

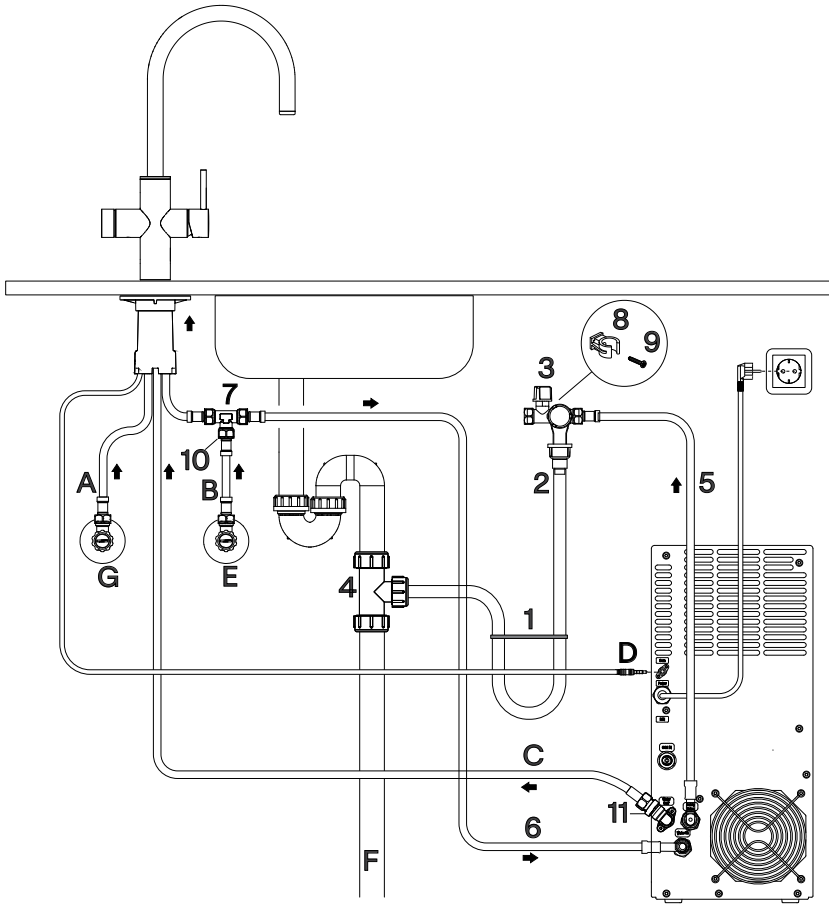


1. Lazo
2. Manguera de agua de expansión
3. Válvula de seguridad plana entrada/salida
4. Drenaje con junta en T
5. Manguera flexible de agua (etiqueta roja, 1 m, M15, G1/2")
6. Manguera flexible de agua (etiqueta azul, 1 m, G3/8", G3/8")
7. Pieza en T 3/8
8. Abrazadera 20/22 mm
9. Atornillar 4 × 25 ud.
10. Sombrero de filtro metálico UE
11. Junta plana G3/8
12. Adaptador de vástago ASA 0806M
13. Junta plana G1/2" (sólo para versión UK)
14. Adaptador 1/2"F - 3/8"M (sólo para versión UK)
15. Llave fija para chapa 20/13 mm

Contenido de Mythos Water Hub Sparkling

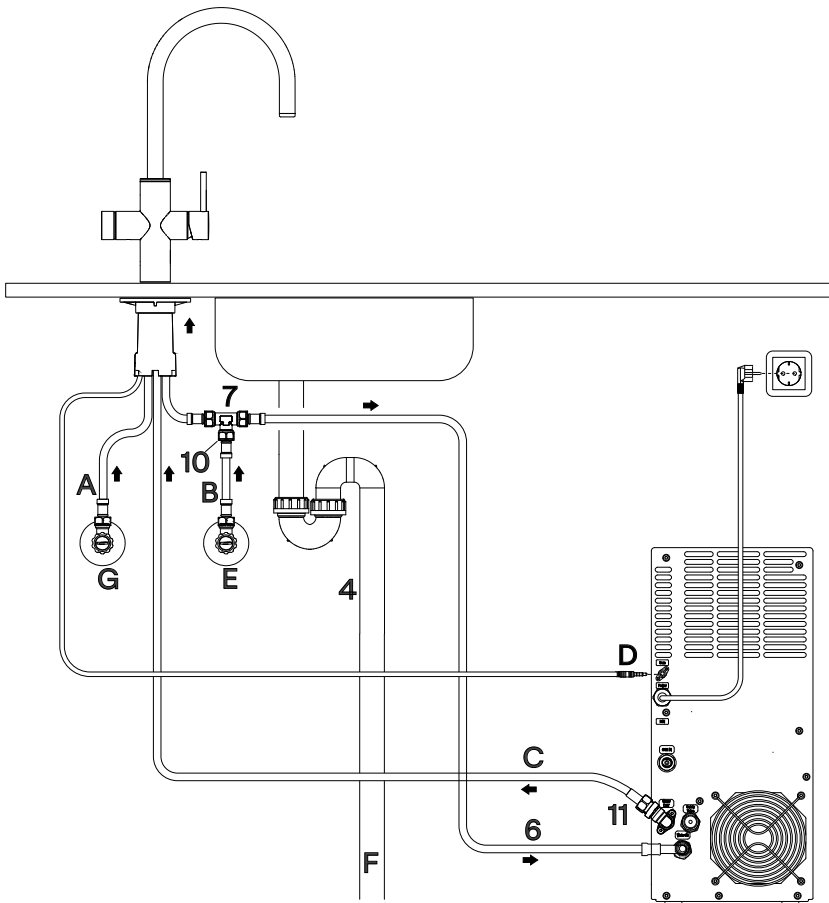


Mythos Water Hub All-in-One



- A Agua caliente del grifo
 - B Agua fría del grifo
 - C Agua acondicionada del grifo
 - D Cable de comunicación
 - E Instalación de una caseta de agua fría
 - F Instalación de desagües
 - G Instalación de agua caliente sanitaria
1. Lazo
 2. Manguera de agua de expansión
 3. Válvula de seguridad plana entrada/salida
 4. Drenaje en T
 5. Manguera flexible de agua (etiqueta roja, 1 m, M15, G1/2")
 6. Manguera flexible de agua (etiqueta azul, 1 m, G3/8", G3/8")
 7. Pieza en T 3/8
 8. Abrazadera 20/22 mm
 9. Atornillar 4 x 25 uds.
 10. Sombrerete de filtro metálico UE
 11. Adaptador de vástago ASA 0806M

Mythos Water Hub Sparkling



Mythos Water Hub de Franke

Franke Mythos Water Hub sólo puede conectarse a grifos electrónicos designados de Franke con una versión de software compatible.

Compruebe los detalles en el "Manual de instalación", página 6.

Conexiones

Para la instalación del Mythos Water Hub de Franke se necesita una toma de agua de la red y un circuito de alimentación separado con protección GFCI, con una conexión de red adecuada con un fusible de al menos 10 A y un suministro de tensión permanente de 220-240 VCA / 50 Hz. Las válvulas de ángulo deben estar ya instaladas.

Especificaciones generales

Tipos de dispensadores de agua	Agua fría filtrada
	Agua carbonatada filtrada
	Agua ambiente filtrada
	Agua hirviendo filtrada
Funcionamiento	Funcionamiento mediante grifo electrónico
Parametrización	Parametrización vía app (BLE)
Dimensiones mínimas de instalación	Altura > 440 mm
	Anchura > 200 mm
	Profundidad ≥ 550 mm
Peso neto (vacío)	20 kg
Peso neto (lleno)	27 kg
Tensión de alimentación	220-240 VCA / 50 Hz
Carga	7,5A
Enchufe	Versión UE = Tipo 303A según CEE7
	Versión para el Reino Unido = Tipo G / BS 1363 3 Pines británico
Consumo máximo	All in One: 1725 W (±10%)
	Sparkling: 230 W
Consumo de energía en modo de espera	All in One: 19 W (refrigeración y ebullición activadas)
	Sparkling: 5,5 W (refrigeración activada)
Nivel de presión sonora (en reposo)	37 ± 4 dB en modo de funcionamiento 0 dB en modo de espera
Grado de protección IP	IPx1
Certificaciones	CE-UKCA

Agua fría filtrada

Volumen del depósito	2,2 l
Principio de refrigeración	configuración de tanque en tanque
Rango de control de temperatura	aprox. 4-10 °C, no ajustable
Caudal sin compensador	aprox. 2,5 l/min a 3 bar
Tiempo de enfriamiento	ΔT = 10 K en 8 minutos (de 20°C a 10°C)
	(de 25 °C a 5 °C: aprox. 35 minutos)

Agua carbonatada filtrada

Volumen del depósito	0,6 l
Principio de refrigeración	configuración de tanque en tanque
Carbonatación	Sistema de carbonatación con bomba de inyección
Rango de control de temperatura	aprox. 4-10 °C, no ajustable
Caudal	aprox. 2 l/min a 3 bar
Nivel de carbonatación	contenido aproximado de CO ₂ 5,0-5,5 g/l

Agua hirviendo filtrada (sólo All-in-One)

Volumen del depósito	4.0 l, caldera presurizada
Rango de control de temperatura	80/90/100 °C, ajustable mediante aplicación
Caudal	aprox. 2 l/min a 3 bar
Tiempo de ebullición	15 °C a 100 °C: aprox. 15 minutos
Clase de eficiencia energética del calentamiento del agua	A

Filtro (consulte el manual de instrucciones incluido)

Tipo de filtro	Filtro de protección (filtro Franke Pro M Connect o filtro Franke Clear Water Connect)
Diámetro del cartucho filtrante	95 mm
Altura del cartucho filtrante	245 mm
Cabezal del filtro	Bayoneta
Capacidad del filtro	Aprox. 1700 litros a 10 °dH

Herramientas necesarias para la instalación

- 1 x llave de 24 mm,
- 1 x llave de 22 mm,
- 1 x llave de 20 mm,
- 1 x llave de 19 mm,
- 1 x llave de 13 mm,
- cuchillo para alfombras,
- destornillador de estrella (o destornillador y broca PZ),
- sierra de mano,
- cinta métrica,
- lápiz.

Dependiendo de la infraestructura existente, pueden ser necesarias herramientas adicionales, por ejemplo, un destornillador de ranura para la válvula de esquina.



No utilice nunca herramientas dentadas para evitar daños. En caso necesario, utilice siempre las herramientas adecuadas para apretar el acoplamiento.

Limpieza e higiene durante la instalación

Durante la instalación debe evitarse estrictamente la contaminación de las piezas portadoras de agua (por ejemplo, juntas, conexiones de mangueras, roscas, etc.). Se recomienda una limpieza a fondo de las manos y evitar el contacto de la piel con superficies que posteriormente estarán en contacto con el agua potable.

Instalación

Puntos generales para la instalación

Colocación de Franke Mythos Water Hub

Garantice espacio suficiente en el armario de la cocina y fácil accesibilidad para las tareas de servicio y mantenimiento. Debe haber espacio suficiente en la parte posterior de la unidad para que salga el aire caliente del tubo de escape (mín. 5-10 cm). Por ello, Franke recomienda una profundidad de mín. 550 mm, una anchura de mín. 200 mm y una altura de mín. 440 mm para el armario.

Ventilación del mueble de cocina

Para un buen funcionamiento de Franke Mythos Water Hub, el mueble de cocina en el que se instale la unidad debe estar suficientemente ventilado. Por lo tanto, debe preverse una abertura de aprox. 20 x 40 cm (800 cm²) en el panel trasero del armario o aberturas similares en la placa base con al menos 5 cm de espacio libre hasta el suelo y en los laterales.

Recomendamos instalar Franke Mythos Water Hub en el siguiente orden:

1. Prepare la instalación.
2. Instale la válvula de seguridad (sólo para la unidad All-in-One).
3. Conecta el suministro de agua.
4. Conecta el dispositivo.



Instale la válvula limitadora de presión lo más alto posible en el armario de la cocina (sólo para la unidad All-in-One).



Durante la instalación, apriete bien cada conexión.

Pasos de la instalación



Al transportar el Mythos Water Hub de Franke al lugar de instalación, es posible que se haya derramado líquido refrigerante en los conductos. Para asegurarse de que el líquido refrigerante se ha recuperado, el aparato sólo puede encenderse tras una pausa de al menos 2 horas.

Nota: La instalación puede prepararse, pero la alimentación eléctrica del aparato no debe conectarse en esta fase.

Compruebe los detalles en el "Manual de instalación", página 3-10.

Prepare la instalación (sólo para la unidad All-in-One) ("Manual de instalación", página 3-6)

1. Compruebe si se cumplen todos los requisitos de instalación, por ejemplo, espacio, conexiones, etc.
2. Cierre la llave de paso y las válvulas angulares. Si no está disponible, marque la conexión de agua fría y caliente existente.
3. Instalar el grifo.

Instale la válvula de seguridad (sólo para la unidad All-in-One) ("Manual de instalación", página 6-7)

1. El grifo de cierre de la válvula de seguridad (3) debe estar cerrado. Compruébelo girando el grifo hacia la derecha. La válvula limitadora de expansión del grupo de seguridad viene calibrada de fábrica a 8 bar.
Aviso: Por razones de seguridad, es posible que salga agua del conducto de purga al calentarse durante el funcionamiento.
2. Conecte el tubo flexible de agua (5, etiqueta roja) a la válvula de seguridad (3).
Aviso: Instale el grupo de seguridad en sentido contrario a la dirección de flujo indicada por la flecha en la parte posterior del grupo de seguridad.
3. Conecte la manguera de agua de expansión (2) a la válvula de seguridad (3).
Aviso: Asegúrese de que la manguera esté completamente insertada y de que no haya ningún hueco entre la válvula de seguridad y la manguera por el que pueda salir agua.
4. Monte la válvula de seguridad (3) en el punto más alto por debajo de la cubierta en el armario y atornille la abrazadera (9).
Aviso: La válvula de seguridad (3) debe colocarse claramente por encima de la conexión al desagüe. Esto garantiza que el agua fluya sólo hacia el desagüe y no vuelva al grupo de seguridad. La distancia a la unidad debe ser < 1 m para utilizar la manguera de agua flexible incluida.
5. Conecte el drenaje en T (4) al desagüe. Conecte el otro extremo de la manguera de agua de expansión (2) al drenaje de la junta en T (4).

Aviso: El drenaje de la válvula de seguridad debe colocarse después del sifón. Si es necesario, la manguera de agua de expansión se puede acortar con un cuchillo. Asegúrese de que el borde de corte esté recto. Asegúrese de que la manguera esté completamente insertada.

Aviso: Forme un cierre hidráulico con la manguera de agua de expansión (2) y fíjela con la cinta de sujeción (1).

Conecte el suministro de agua ("Manual de instalación", página 7-8)

1. Conecte la pieza en T (7) y el filtro de sombrerete (10) a la instalación de agua fría (E) y a la conexión de agua fría (B).

Para el Reino Unido: conecte el adaptador (18-19) entre la instalación de agua fría (E) y la pieza en T (7).

Aviso: Es extremadamente importante instalar el filtro de sombrerete.

2. Conecte el tubo flexible de agua (6, etiqueta azul) a la pieza en T (7).
3. Conecte la conexión de agua caliente (A) del grifo a la instalación de agua caliente (G).
Para el Reino Unido: conecte el adaptador (18-19) entre la instalación de agua fría (E) y la pieza en T (7).
4. Conecte la conexión unitaria (C) del grifo al adaptador del vástago (11).

Conecte Franke Mythos Water Hub ("Manual de instalación", página 8)

1. Conecte el tubo flexible de agua (6, etiqueta azul) a la unidad (conexión "Water IN").

2. Conecte el tubo flexible de agua (5, etiqueta roja) a la unidad (conexión "Válvula de seguridad").

Aviso: Asegúrese de que la manguera no bloquee ninguna otra conexión.

3. Conecte el adaptador de vástago (11) a la unidad (conexión "SALIDA de agua").

Aviso: Asegúrese de que la manguera no bloquee ninguna otra conexión.

4. Conecte el cable de comunicación (D) del grifo a la unidad (conexión "Com").

Aviso: Asegúrese de que el enchufe está completamente insertado.

Aviso: Compruebe que hay espacio suficiente para todos los componentes y asegúrese de que las mangueras no estén dobladas, retorcidas o tirantes. Deben colocarse sin dobleces. No coloque tomas de corriente múltiples o fuentes de alimentación portátiles en la parte trasera de la unidad.

Instalación del filtro ("Manual de instalación", página 9-10)

1. Retire la cubierta frontal.
2. Para extraer el vaso de limpieza, incline el cabezal del filtro hacia delante y gire el vaso de limpieza unos 90 grados hacia la izquierda.
Aviso: El vaso de limpieza es necesario para el procedimiento de limpieza regular y debe conservarse.
3. Inserte el cartucho filtrante en el cabezal del filtro y gírelo unos 90 grados hacia la derecha hasta que no se pueda apretar más. Incline el cabezal del filtro hacia atrás.
4. No instale todavía el cilindro de CO₂.
5. Abra el suministro de agua de la red, abra las válvulas angulares y compruebe la estanqueidad de la instalación. El agua no debe filtrarse por ningún punto.

Nota: Se recomienda utilizar solo un filtro con etiqueta RFID (es decir, un filtro Pro M Connect), de lo contrario, el dispositivo dejará de funcionar.

Puesta en marcha



Durante la puesta en marcha, Franke Mythos Water Hub debe enjuagarse una vez; esto se realiza automáticamente durante el proceso.

Para preparar la unidad para su uso, se recomienda la puesta en marcha en el siguiente orden:

1. Asegúrese de que el grifo esté correctamente alineado sobre el fregadero.
2. Compruebe la conexión de agua fría y caliente con la manivela manual para asegurarse de que el suministro de agua funciona.
3. Conecte el cable de alimentación.
Aviso: Asegúrese de que el cable de alimentación no esté doblado, atrapado o dañado.
4. El primer proceso de arranque dura unos 20 segundos.
Aviso: No interrumpa el proceso pulsando ningún botón ni desenchufando el aparato.
5. Después de que el dispositivo se ponga en marcha, los LED del grifo se iluminarán. Pulse brevemente el botón Reset (Reinicio) / Standby (En espera) del aparato (<2 s) para ejecutar el primer programa de lavado.
6. El primer programa de lavado dura aproximadamente 5-6 minutos.
Aviso: No interrumpa el proceso pulsando ningún botón ni desenchufando el aparato. De lo contrario, se requiere un reinicio completo.

Hay que desenchufar el aparato y reiniciar el proceso desde el paso 3.

- Después del primer programa de lavado, se encenderán los LED del mando.

Aviso: El grifo debe estar ya lleno de agua, es decir, debe haberse completado la descarga inicial antes de activar el suministro de CO₂.

Instalación del cilindro de CO₂ ("Manual de instalación", página 12)

- Retire la tapa protectora del cilindro de CO₂, incline la conexión de CO₂ hacia delante y enrosque el cilindro de CO₂ en la válvula reductora de presión de CO₂ girándolo hacia la derecha hasta que no se pueda apretar más.

Incline la conexión de CO₂ hacia atrás.

Aviso: El cilindro de CO₂ debe apretarse a fondo para que se forme una junta estanca. Es posible que se escape algo de gas y que se oiga un silbido. Siga apretando, hasta que no pueda más. No debe oírse salir más gas.

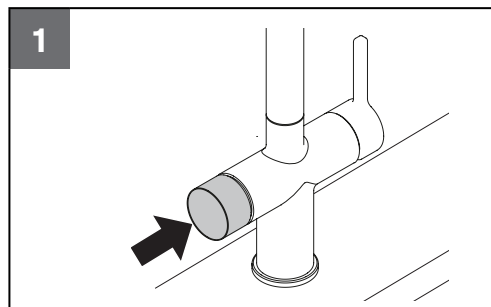
- Una vez montado el cilindro de CO₂, los LED de la interfaz de usuario se iluminarán, cambiando de rojo a verde.
- Instale la cubierta frontal.
- El aparato se enfría y se calienta durante unos 25 minutos, tras lo cual está listo para su uso.

Aviso: La calidad final de la carbonatación se establecerá tras utilizar el producto durante unos días.

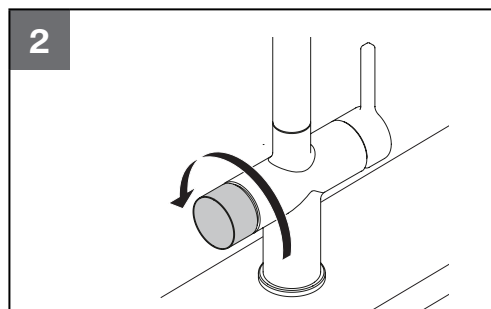
Funcionamiento del grifo

Funcionamiento del mando electrónico

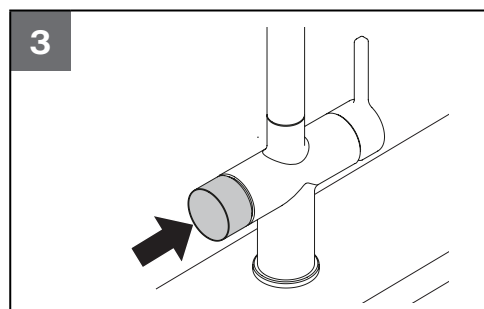
- El mando eléctrico en modo de espera no reacciona al movimiento giratorio.
- Para activar el mando electrónico pulse brevemente 1 vez (fig. 1).



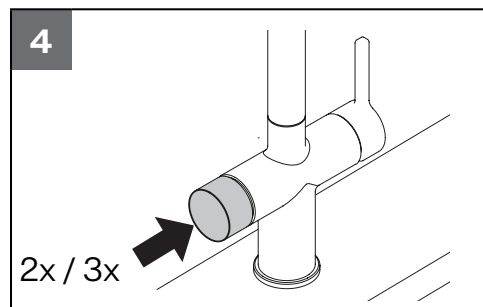
- Gire hacia delante o hacia atrás el mando electrónico para elegir el tipo de agua deseado - el color del LED cambia con el movimiento (fig. 2).



- Para un flujo continuo del agua elegida, mantenga pulsado el botón electrónico (fig. 3). Desactivación: Suelte el mando.



- Para elegir la cantidad de agua 0,5, 1 ó 2 litros pulse brevemente el mando electrónico según la información de la tabla inferior (fig. 4). Desactivación: Pulse brevemente 1 vez.



- Sujete el objeto a llenar cerca del grifo, de modo que el objeto rodee la abertura de salida del grifo. Esto evitará que el agua salpique.

Color del LED	Función	Funcionamiento			Pantalla de LEDES	
		Pulse	Mantenga pulsado	Pulse 2 veces		Pulse 3 veces
Blanco	Modo de espera*	Activar el mando pulsando 1 vez el LED			-	Luces
Rojo	Agua hirviendo		Flujo de agua continuo hasta soltar el mando	Salida de agua de 1 l (interrupción por presión adicional)	Salida de agua de 2 l (interrupción por presión adicional)	
Azul	Agua fría filtrada					
Turquesa	Agua filtrada					Ejecutar
Verde	Agua "con gas" fría		Flujo de agua continuo hasta soltar el mando	Salida de agua de 0,5 l (interrupción por presión adicional)	Salida de agua de 1 l (interrupción por presión adicional)	
Verde claro	Agua fría "con gas" "media" ajustable a través de la aplicación					

*Sin función con movimiento giratorio

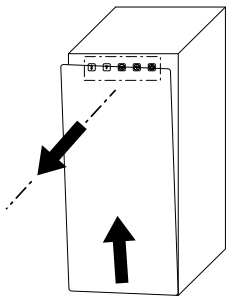
Selección de la intensidad del LED

Transcurridos 60 segundos sin utilizar el grifo, éste pasará automáticamente al estado de modo de reposo, con una intensidad del LED del 50%.

Para cambiar la configuración del modo de suspensión, siga estas instrucciones.

1. Active el grifo pulsando una vez el mando electrónico.
2. Pulse 5 veces el mando electrónico.
3. El LED empieza a parpadear.
4. Gire el mando hasta el ajuste preferido girando el mando hacia delante o hacia atrás:
 1. 50% de intensidad, predeterminada,
 2. 10% de intensidad,
 3. Apagado del todo.
5. Mantenga pulsado el mando electrónico durante 2 segundos para confirmar. El LED parpadea 3 veces para confirmar.

Interfaz de usuario



- A. Nivel de CO₂
- B. Tiempo de ejecución del filtro
- C. Limpieza
- D. Conectividad
- E. Reinicio / Modo vacaciones



Nivel de CO₂

LED de estado	Significado
Constante: Verde	CO ₂ > 3 bar
Intermitente: Rojo	CO ₂ < 3 bar / cilindro de CO ₂ vacío



Tiempo de ejecución del filtro

(sólo para filtros con etiqueta RFID)

LED de estado	Significado
Constante: Verde	Tiempo de filtrado restante > 10%
Intermitente: Rojo	Tiempo de filtrado restante ≤ 10%
Constante: Rojo	Tiempo restante de filtrado ≤ 0% o último cambio de filtro > 6-12 meses en función de la dureza del agua es decir, cambio de filtro necesario



Limpieza

LED de estado	Significado
Constante: Verde	No requiere limpieza
Intermitente: Rojo	Limpieza necesaria si la última limpieza > 6 meses
Intermitente: Azul (cuenta regresiva)	Proceso de limpieza en marcha

Para iniciar el programa de limpieza, pulse el botón durante 5 segundos.



Conectividad

LED de estado	Significado
Constante: Blanco	Conexión activa
Intermitente: Azul	Modo de emparejamiento de la conexión

Franke Mythos Water Hub se puede conectar a la aplicación móvil de Franke @Home.

- ▶ Para la primera conexión a la aplicación móvil, presione el botón durante 5 segundos hasta que todos los LED parpadeen en azul y siga las instrucciones de la aplicación.



Reinicio / Modo vacaciones

LED de estado	Significado
Constante: Verde	Modo de funcionamiento activo
Flash: Verde	Reinicio del dispositivo
Flash: Rojo	Modo vacaciones activado

- ▶ Para reiniciar la unidad, pulse el botón durante 5 segundos.
- ▶ Para iniciar el modo vacaciones, pulse brevemente el botón durante menos de 2 segundos.
- ▶ Para despertar la unidad del modo vacaciones, pulse cualquier botón.



En caso de error, todos los botones parpadean en rojo.

Desconecte la alimentación durante al menos 10 segundos y reinicie el aparato. Si esto no le ayuda, póngase en contacto con el servicio de atención al cliente.

Aplicación Franke @Home

Con la aplicación Franke @Home es posible controlar el estado del Franke Mythos Water Hub y personalizar los parámetros de funcionamiento (por ejemplo, la temperatura del agua hirviendo).

App Store



Google Play



Solución de problemas

Fallo	Posible causa	Solución
Fuga de agua en la conexión del grifo	Tubo de conexión de agua fría/caliente suelto.	Apriete con una llave de boca.
	Tubo de conexión de la junta de unión de agua fría/caliente defectuoso o dañado.	Sustituya la junta.
Fuga de agua en la conexión al desagüe	Poca profundidad de inserción o el tubo no se ha cortado recto.	Compruebe la profundidad de inserción de la manguera y el filo de corte.
	Instalación en ángulo de la válvula de seguridad.	Compruebe que la válvula de seguridad está instalada horizontalmente y que no hay ningún hueco en la manguera de desagüe.
Fugas de agua en las conexiones del aparato	Tubería de conexión de agua fría/caliente/acondicionada suelta.	Apriete con una llave de boca.
	Junta de unión de agua fría/caliente/acondicionada defectuosa o dañada.	Sustituya la junta.
Fuga de agua en una manguera	Manguera quebradiza o rota.	Sustituya la manguera con fugas.
Fuga de agua en el aparato	Fugas en el dispositivo.	Desenchufe el aparato y póngase en contacto con el servicio de atención al cliente.
La válvula de seguridad tiene fugas	Expansión durante el calentamiento del agua.	Sin fallos, funcionamiento normal.
	Caída continua debido a la suciedad.	Accione manualmente el mando de la válvula de descarga de expansión para eliminar las partículas de suciedad.
		Sustituya la válvula de seguridad.

Fallo	Posible causa	Solución
Ruidos sibilantes de la unidad	El cilindro de CO ₂ no está correctamente apretado.	Gire el cilindro de CO ₂ hacia la derecha con fuerza decente hasta que no se pueda apretar más. Utilice un cilindro de CO ₂ nuevo, ya que la superficie de sellado podría estar dañada.
	El reductor de presión interno está averiado o dañado.	Póngase en contacto con el servicio de atención al cliente.
El grifo no suministra agua	Las válvulas angulares de la instalación de suministro de agua están cerradas.	Abra las válvulas angulares, compruebe el funcionamiento del agua caliente y fría.
	La válvula principal de agua está cerrada.	Abra la válvula principal de agua.
	Las mangueras están dobladas.	Enderece las mangueras dobladas.
	El grifo está obstruido.	Inspeccione el grifo y limpie el aireador.
No se puede extraer agua filtrada, refrigerada, carbonatada o hirviendo	Filtro mal instalado.	Gire el cartucho filtrante hacia la derecha con fuerza decente hasta que no se pueda apretar más.
	No hay conexión entre el grifo y el dispositivo.	Enchufe bien el conector del cable de comunicación.
	El kit de instalación está mal instalado.	Compruebe la correcta instalación del kit de instalación.
No se puede extraer agua hirviendo	El aparato se utilizó sin filtro en zonas con alto contenido de cal en el agua potable.	Póngase en contacto con el servicio de atención al cliente.
	La caldera está averiada.	Póngase en contacto con el servicio de atención al cliente.
Sale CO ₂ del grifo en lugar de agua	La bomba de alta presión está averiada.	Póngase en contacto con el servicio de atención al cliente.
El agua extraída no contiene CO ₂ o contiene muy poco	El cilindro de CO ₂ está vacío o no está conectado.	Sustituya o conecte correctamente el cilindro de CO ₂ . Vacíe aproximadamente 1 litro de agua carbonatada si el cilindro de CO ₂ estaba vacío antes. Compruebe la correcta instalación de las mangueras de conexión.
		Si se utiliza una botella externa de CO ₂ , el reductor de presión debe ajustarse a 5 bar.
		Utilice únicamente cilindros estándar de CO ₂ de 425 g y rosca trapezoidal (TR 21×4).
	El agua no se enfría lo suficiente y, por tanto, no puede absorber suficiente CO ₂ .	Espere hasta que la unidad de refrigeración haya enfriado el agua hasta un nivel suficiente.
	El reductor de presión del aparato está averiado.	Póngase en contacto con el servicio de atención al cliente.

Fallo	Posible causa	Solución
El agua fría y carbonatada extraída está demasiado caliente	Se extrajo mucha agua en muy poco tiempo.	Espere hasta que la unidad de refrigeración haya enfriado el agua hasta un nivel suficiente.
	La refrigeración está averiada (el compresor no funciona).	Póngase en contacto con el servicio de atención al cliente.
	Sobrecalentamiento del aparato.	Asegúrese de que haya suficiente ventilación en la cabina y reduzca la temperatura ambiente.
El aparato funciona con menos rendimiento	La conexión a la red de agua caliente se utiliza para la entrada de agua del aparato.	Asegúrese de que se utiliza la conexión de red de agua fría para la entrada del aparato.
El aparato no puede encenderse	El enchufe de red no está insertado.	Inserte el enchufe de red en una toma de corriente mural con protección GFCI.
	El enchufe o el cable de alimentación están dañados o defectuosos.	Póngase en contacto con el servicio de atención al cliente.
	No hay suministro eléctrico.	Compruebe el fusible de la toma, si lo hay, y el GFCI. Póngase en contacto con su instalador de sistemas eléctricos.
	Sensor de fugas activo.	Desenchufe el aparato y póngase en contacto con el servicio de atención al cliente.
	Problema de software.	Desconecte la alimentación durante al menos 10 segundos y reinicie el aparato.
	Cortocircuito en el aparato.	Desenchufe el aparato y póngase en contacto con el servicio de atención al cliente.
El proceso de limpieza no está en marcha	El vaso de limpieza no está instalado correctamente.	Gire el vaso de limpieza hacia la derecha con fuerza decente hasta que no se pueda apretar más.
El dispositivo no puede conectarse a la aplicación	La conectividad del dispositivo está desactivada.	Activar la conexión
El dispositivo muestra un código de color desconocido	Fallo del dispositivo.	Desconecte la alimentación durante al menos 10 segundos y reinicie el aparato.
		Póngase en contacto con el servicio de atención al cliente.

Si no puede solucionar su avería o defecto póngase en contacto con el servicio de asistencia técnica, el instalador o el distribuidor de Franke.

Mantenimiento

Mantenimiento general

- ▶ Limpie el grifo sólo con el limpiador de grifos Franke. Visite nuestra tienda online Franke.



No utilice productos de limpieza que contengan disolventes o ácidos, como desincrustantes de cal, vinagre doméstico o productos de limpieza con ácido acético. Estas sustancias dañan la superficie. El grifo se volverá mate y se rayará.

- ▶ Los depósitos de cal pueden evitarse secando el grifo después de usarlo.
- ▶ Si se forman depósitos de cal, elimínelos con un producto de limpieza a base de ácido cítrico.
- ▶ Utilice siempre piezas originales Franke para el mantenimiento o la reparación. Esto garantiza la seguridad y el correcto funcionamiento del producto y salvaguarda cualquier derecho de garantía.
- ▶ La sustitución o reparación de piezas sólo puede ser realizada por el Servicio Técnico de Franke.


Limpieza


Por razones higiénicas y sanitarias, el Mythos Water Hub de Franke debe limpiarse cada 6 meses. Recomendamos limpiar la unidad en el siguiente orden:

1. Asegúrese de que el grifo esté correctamente alineado sobre el fregadero durante el proceso de limpieza.
2. Retire la cubierta frontal.
3. Si se requiere un proceso de limpieza, se encenderán los LED de la interfaz de usuario.
4. Inclíne el cabezal del filtro hacia delante, gire el cartucho filtrante unos 90 grados hacia la izquierda y tire de él hacia abajo. Esto lo desbloqueará del cabezal del filtro y permitirá extraerlo.
Aviso: Durante este proceso, las válvulas de entrada de agua del grifo y de salida de agua filtrada del cabezal del filtro se cierran automáticamente. Puede ocurrir que una pequeña cantidad de agua de expansión se escape del cabezal del filtro debido a picos de presión. Téngalo en cuenta y coloque un recipiente adecuado debajo del cabezal del filtro.
5. Insertar una pastilla de limpieza (Franke recomienda usar las pastillas de limpieza de

agua «Bevi Tab Aqua») en la cazoleta de limpieza.

Aviso: El uso de pastillas de limpieza alternativas puede provocar que el aparato no se limpie correctamente.

6. Introduzca el vaso de limpieza en el cabezal del filtro y gírelo unos 90 grados hacia la derecha hasta que ya no se pueda apretar más. Inclíne el cabezal del filtro hacia atrás.
7. Pulse el botón de limpieza (C)  del aparato durante 5 segundos hasta que el LED (C) parpadee en azul para ejecutar el programa de limpieza.
8. El programa de limpieza dura aproximadamente 75 minutos. Mientras tanto, aparecerá una cuenta atrás en la interfaz de usuario. Primero, todos los LED se iluminarán en azul y luego se apagarán gradualmente uno por uno.

Nota: No interrumpir el proceso presionando ningún botón o desenchufando el dispositivo. De lo contrario, el proceso se detendrá. Para que la unidad vuelva a estar lista para su uso, deberá iniciarse un programa de enjuague de 40 minutos. Para ello, presionar el botón Limpieza (C) . Los tres botones del lado derecho empezarán a parpadear en azul. Cuando se complete el proceso, todos los LED se encenderán.

Antes de iniciar el proceso de descarga, retirar la cazoleta de limpieza e inserte un cartucho filtrante (nuevo o uno usado con validez de filtro restante).

9. Tras el programa de limpieza, se encenderán los LED de la interfaz de usuario.
10. Inclíne el cabezal del filtro hacia delante, gire el vaso de limpieza unos 90 grados hacia la izquierda y tire de él hacia abajo. Esto lo desbloqueará del cabezal del filtro y permitirá extraerlo.

Aviso: Durante este proceso, las válvulas de entrada de agua del grifo y de salida de agua filtrada del cabezal del filtro se cierran automáticamente. Puede ocurrir que una pequeña cantidad de agua de expansión se escape del cabezal del filtro debido a picos de presión. Téngalo en cuenta y coloque un recipiente adecuado debajo del cabezal del filtro.

Aviso: El vaso de limpieza es necesario para el procedimiento de limpieza regular y debe conservarse.

11. Inserte el cartucho filtrante (nuevo o uno usado con la validez del filtro restante) en el cabezal del

filtro y gire el cartucho filtrante unos 90 grados hacia la derecha hasta que no se pueda apretar más. Incline el cabezal del filtro hacia atrás.

12. Después de insertar un cartucho de filtro válido, pulse brevemente el botón de filtro (B) de la unidad (<2 s). Los LED de la interfaz de usuario se encenderán.
13. Instale la cubierta frontal.



Se recomienda limpiar el ventilador de la unidad una vez al año con un cepillo o un aspirador.

Desincrustar el aireador del grifo

Utilice siempre un desincrustante a base de ácido cítrico. ¡Otras sustancias pueden dañar el material!

El aflojamiento y el apriete pueden facilitarse enrollando una goma elástica alrededor del manguito del aireador del grifo. Tenga cuidado de no dañar el manguito del aireador del grifo con el uso de herramientas.

Aparecerán depósitos de cal en el aireador del grifo y junto a él.

- ▶ Desenrosque el manguito del aireador del grifo.
- ▶ Limpie el aireador del grifo con un producto desincrustante adecuado.
- ▶ Coloque el aireador del grifo en el manguito.
- ▶ Coloque la junta en el aireador del grifo y enrosque el manguito apretándolo con los dedos.

Compruebe los detalles en el "Manual de instalación", página 13.

Reparaciones

El aparato sólo podrá ser reparado por Franke o por personal cualificado formado por Franke. La apertura del Mythos Water Hub de Franke por personal no cualificado anula la garantía.

Para garantizar un funcionamiento seguro, utilice únicamente las piezas de repuesto especificadas por el fabricante. De lo contrario, se anularán todas las reclamaciones de garantía y responsabilidad contra el fabricante.

Funcionamiento y sustitución del filtro

Sólo se puede conseguir un funcionamiento fiable del sistema si el cartucho filtrante se sustituye periódicamente. Los ciclos de cambio dependen de la aplicación y del consumo de agua asociado.



Recomendamos sustituir el cartucho filtrante en un plazo máximo de 12 meses en función del uso.

Si no se sustituye el filtro, se anulará la garantía.



Si el dispositivo no se ha utilizado durante más de cuatro semanas, se deberá reemplazar el cartucho del filtro.

No es posible reprocesar los cartuchos filtrantes usados. Los cartuchos filtrantes usados pueden eliminarse sin peligro en la basura doméstica.


Pasos para sustituir el filtro

Recomendamos sustituir el cartucho filtrante en el siguiente orden (consulte los detalles en el "Manual de instalación", página 12):

1. Asegúrese de que el grifo esté correctamente alineado sobre el fregadero.
2. Retire la cubierta frontal.

3. Si es necesario cambiar el cartucho filtrante, se encenderán los LED de la interfaz de usuario.
4. Incline el cabezal del filtro hacia delante, gire el cartucho filtrante unos 90 grados hacia la izquierda y tire de él hacia abajo. Esto lo desbloqueará del cabezal del filtro y permitirá extraerlo.

Aviso: Durante este proceso, las válvulas de entrada de agua del grifo y de salida de agua filtrada del cabezal del filtro se cierran automáticamente. Puede ocurrir que una pequeña cantidad de agua de expansión se escape del cabezal del filtro debido a picos de presión. Téngalo en cuenta y coloque un recipiente adecuado debajo del cabezal del filtro.

5. Inserte el cartucho filtrante en el cabezal del filtro y gírelo unos 90 grados hacia la derecha hasta que no se pueda apretar más. Incline el cabezal del filtro hacia atrás.
6. El dispositivo solo funciona con un filtro RFID de Franke, de lo contrario el dispositivo dejará de funcionar.
Botón Filtro (B) 
7. Una vez sustituido el filtro, la unidad reconocerá el nuevo filtro y el botón rojo de la unidad

cambiará a verde. El botón del grifo entrará en modo listo (LED blanco)

8. La luz del mando electrónico será de color naranja; pulse el mando electrónico para iniciar el programa de lavado. Se tarda unos 2-3 minutos.

Aviso: Al principio, el agua de la cisterna puede ser lechosa o turbia. Esto se debe a la dispersión del aire y desaparecerá rápidamente.

9. Instale la cubierta frontal.

Ajuste del filtro para la dureza del agua

- ▶ Mantenga pulsado el mando durante 10 seg. El LED empieza a parpadear.

- ▶ Gire hacia atrás para el ajuste correspondiente de la dureza del agua.
- ▶ Pulse el botón durante 2 seg. para confirmar la selección. El LED parpadea 3 veces brevemente para confirmar el ajuste.

Color del LED	Advertencias para el cambio de filtro
Naranja	1 mes antes del cambio de filtro, el LED se ilumina en naranja de forma constante (50%), al final del tiempo de funcionamiento el LED parpadea en naranja
Rojo/naranja	Sin filtro/Etiqueta RFID no detectada

Funcionamiento y sustitución del cilindro de CO₂

Una vez extraídos unos 60 litros de agua carbonatada, el chorro de agua se debilita y el contenido de dióxido de carbono disminuye. Por debajo de 3 bar, el aparato muestra una señal en el teclado y en el grifo para sustituir el cilindro de CO₂.

Si está completamente vacío, no se podrá extraer agua carbonatada de la unidad.



El sistema admite cilindros de CO₂ sin sabor adicional con 425 g y rosca trapezoidal. Es compatible con los cilindros estándar disponibles en los principales mercados.

- ▶ Los cilindros de CO₂ deberán ser mantenidos o reparados únicamente por personal autorizado.

Al final de su vida útil, si por ejemplo el sellado es insuficiente, debe eliminarse localmente de acuerdo con la normativa aplicable o, mejor aún, devolverse con el sistema local de depósito de botellas.

Pasos para la sustitución del cilindro de CO₂

Recomendamos sustituir el cartucho de CO₂ en el siguiente orden(consulte los detalles en el "Manual de instalación", página 12):

1. Retire la cubierta frontal.
2. Si se necesita un nuevo cilindro de CO₂, se encenderán los LED de la interfaz de usuario.
3. Inclíne la conexión de CO₂ hacia delante y desenrosque lentamente el cilindro de CO₂ usado girándolo hacia la izquierda. Esto lo desbloqueará de la válvula reductora de presión de CO₂ y permitirá retirarlo.

Aviso: El cilindro de CO₂ vacío puede devolverse en su estación de devolución local para que lo rellenen.

4. Retirar el nuevo cilindro de CO₂ de su embalaje y comprobar si hay algún daño en el cabezal de la botella de CO₂.
5. Retire el tapón protector del nuevo cilindro de CO₂ y enrosque el cilindro de CO₂ en la válvula reductora de presión de CO₂ girándolo hacia la derecha hasta que no se pueda apretar más. Inclíne la conexión de CO₂ hacia atrás.
Aviso: Es importante apretar bien el cilindro de CO₂ para que se forme una junta estanca. Es posible que se escape algo de gas y que se oiga un silbido. Siga apretando, hasta que no pueda más. No debe oírse salir más gas.
6. Una vez montado el cilindro de CO₂, los LED de la interfaz de usuario se iluminarán en verde.
7. Instale la cubierta frontal.

Color del LED	Advertencias para el cambio de cilindros de CO ₂
Verde	Si la presión es inferior a 3 bar, el LED parpadeará en verde.

Retirada del producto

Recomendamos desmontar el producto en el siguiente orden (consulte los detalles en el "Manual de instalación", página 14):

1. Asegúrese de que el grifo esté correctamente alineado sobre el fregadero.
2. Desenchufe el cable de alimentación.
3. Cierre la llave de paso y las válvulas angulares.
4. Retire la cubierta frontal.
5. Incline la conexión de CO₂ hacia delante y desenrosque lentamente el cilindro de CO₂ usado girándolo hacia la izquierda. Esto lo desbloqueará de la válvula reductora de presión de CO₂ y permitirá retirarlo.
6. Instale la cubierta frontal.
7. Desconecte el cable de comunicación (D), el tubo flexible de agua (6, etiqueta azul) y el adaptador del vástago (11) en el extremo de la conexión de agua de la unidad (C).



Advertencia: ¡Peligro de quemaduras! La válvula de seguridad (3) con el tubo flexible de agua (5, etiqueta roja) no debe desconectarse nunca del aparato

8. (Sólo para el dispositivo All-in-One) Desmonte la válvula de seguridad (3) de la pared y desconecte la manguera de drenaje del agua de expansión (2).
9. La unidad con la válvula de seguridad conectada puede retirarse ahora del armario de forma segura.



Aviso: El Mythos Water Hub de Franke debe transportarse siempre en un embalaje adecuado. Si se devuelve un aparato a Franke, debe enviarse sin cilindro de CO₂.

Eliminación



El símbolo en el producto o en el embalaje indica que el aparato no debe tirarse a la basura doméstica.

■ Desechar el aparato de forma adecuada ayuda a evitar consecuencias perjudiciales para el medio ambiente y la salud.

Para más información sobre el reciclaje del aparato, diríjase a la autoridad competente, al servicio local de recogida de basuras o al vendedor del aparato.

Deshágase del aparato que vaya a desechar a través de un punto de recogida de residuos especializado en aparatos electrónicos y eléctricos.

De conformidad con el artículo del Decreto Legislativo N. 15 de 25 de julio de Aplicación de la Directiva 2002/96/CE relativa a la reducción de las sustancias peligrosas utilizadas en los aparatos eléctricos y electrónicos y en la eliminación de residuos.

El símbolo del cubo de basura con barras que aparece en el aparato indica que, al final de su vida útil, el producto no debe desecharse como residuo doméstico.

En consecuencia, cuando el aparato haya llegado al final de su vida útil, el usuario deberá llevarlo a un centro adecuado de reciclaje de residuos electrónicos y electrotécnicos, o devolverlo al distribuidor al comprar un aparato nuevo de tipo equivalente.

La correcta recogida selectiva de los residuos del aparato desechado para su posterior reciclado, tratamiento y eliminación respetuosa con el medio ambiente ayuda a evitar un impacto potencialmente negativo sobre el medio ambiente y la salud y facilita el reciclado de los materiales utilizados en la construcción del aparato.

