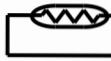


MAINBOARD⁺12

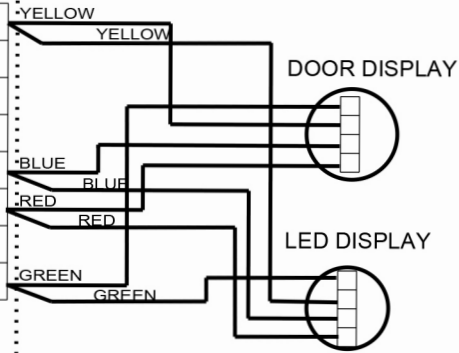
BD67

(OPTIONAL)
AMBIENT SENSOR



CN6
AT
5V

CN4
TX
RX
GND

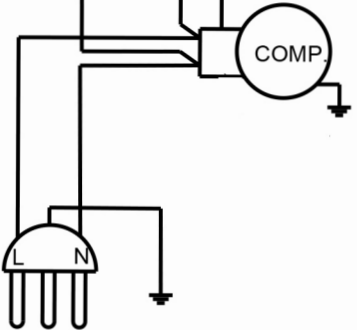


AC IONIZER

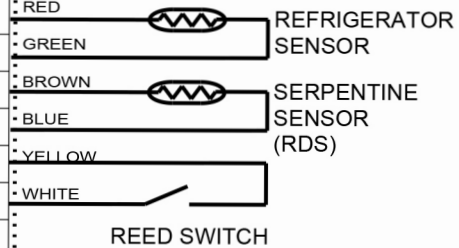
ORANGE

CN2

BLACK
BROWN
BLUE
COMP
L
CN1
N



CN7



CN8

