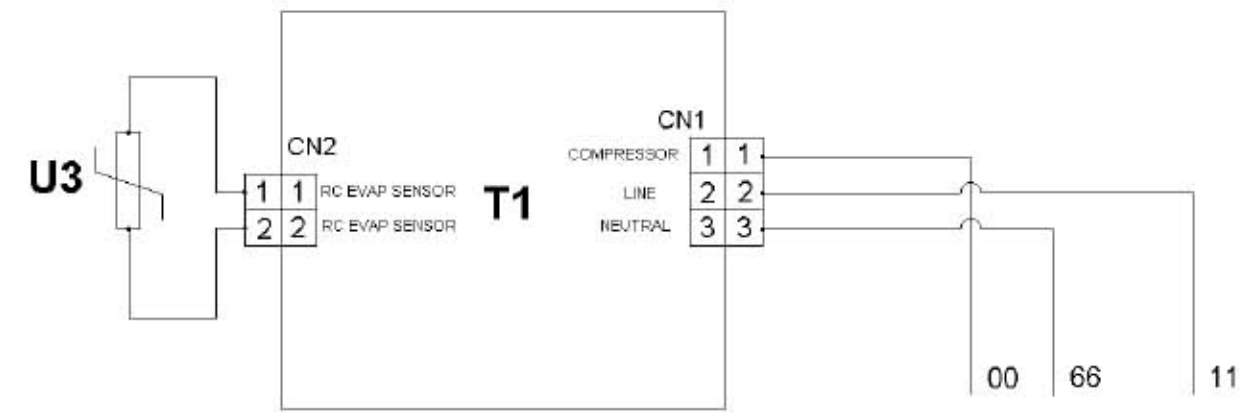


Circuit/Wiring Diagram

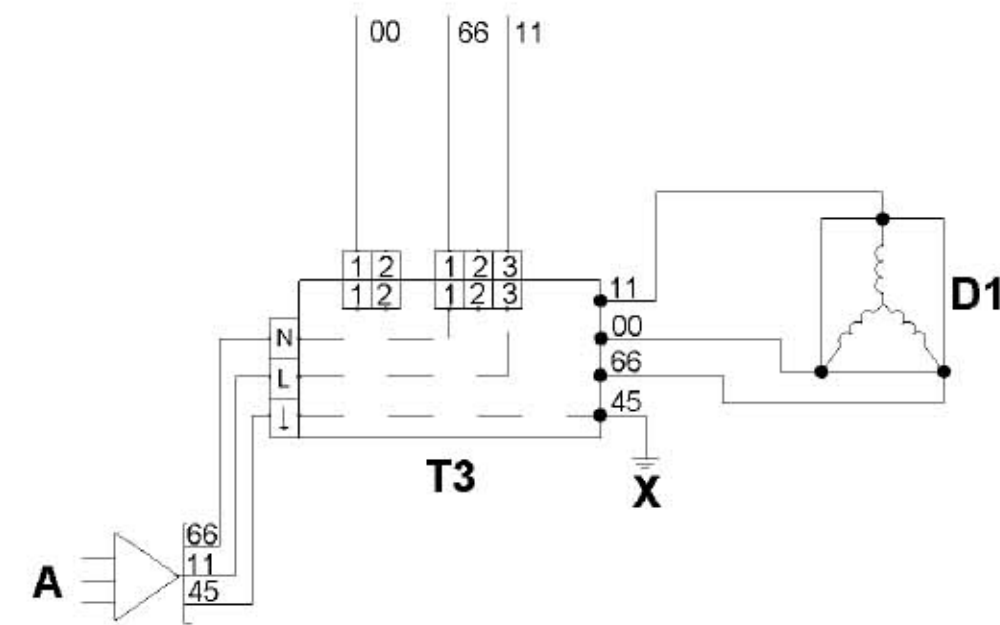
- A PLUG
- B MAIN CONNECTING BLOCK
- D COMPRESSOR
- D1 VCC COMPRESSOR
- F STARTING RELAY
- F1 P.T.C.
- G OVERLOAD PROTECTOR
- J1 RUNNING CAPACITOR
- T1 ELECTRONIC THERMOSTAT
- T3 VCC INVERTER
- U3 REFRIGERATOR EVAPORATOR SENSOR
- X COMPRESSOR EARTHING

- 00 BLACK
- 11 BROWN
- 66 BLUE
- 45 YELLOW - GREEN

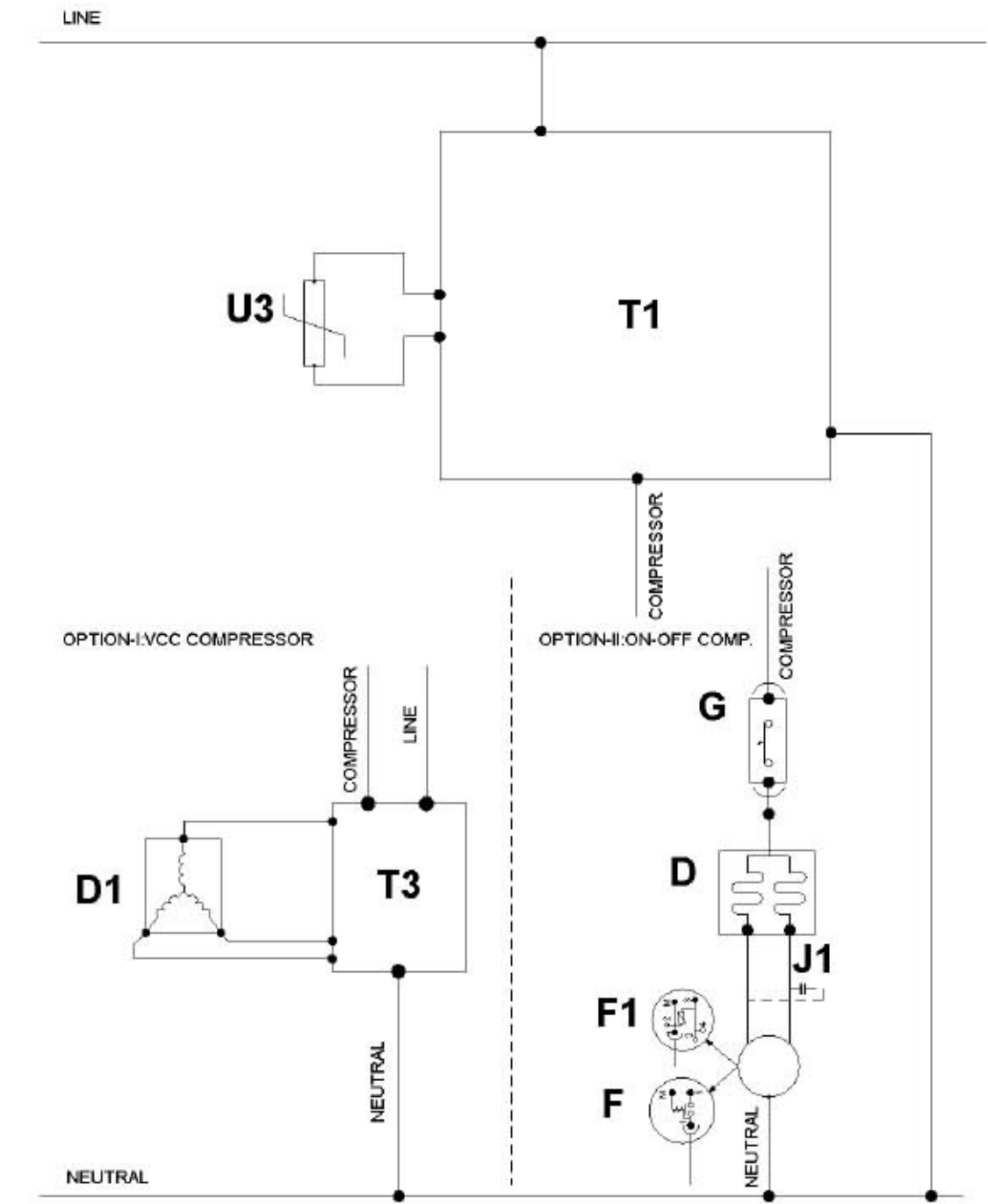
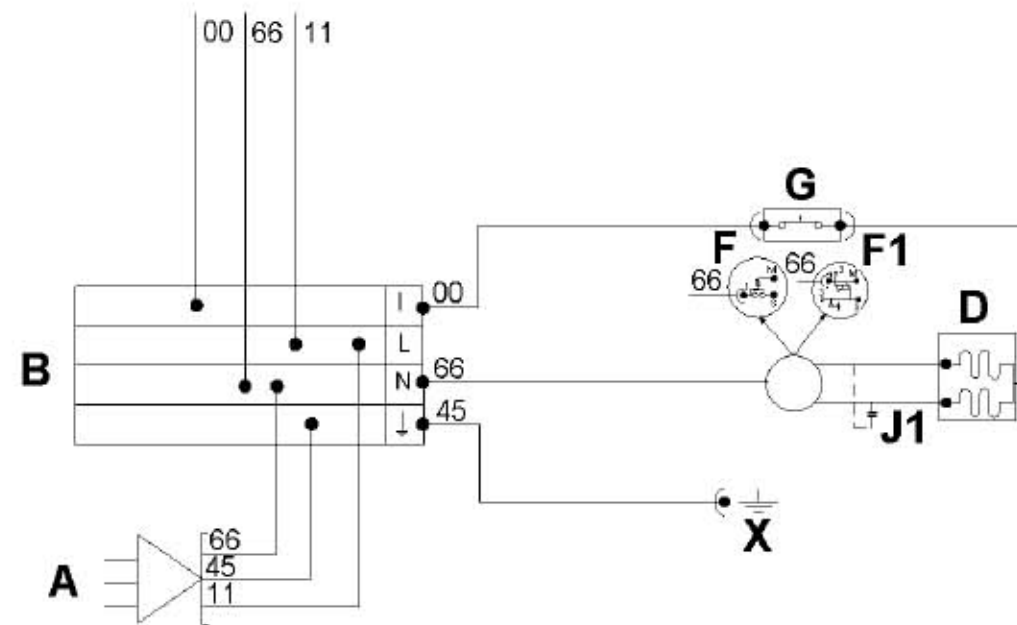
10493597en



OPTION-I:VCC COMPRESSOR



OPTION-II:ON-OFF COMPRESSOR



4000 104 93597-B