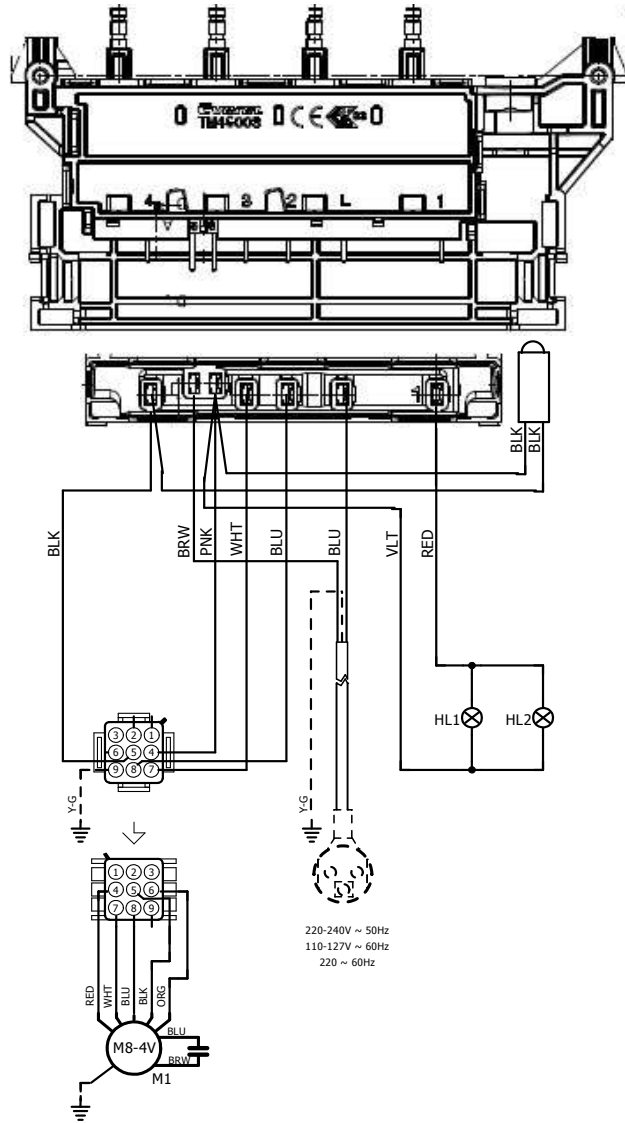
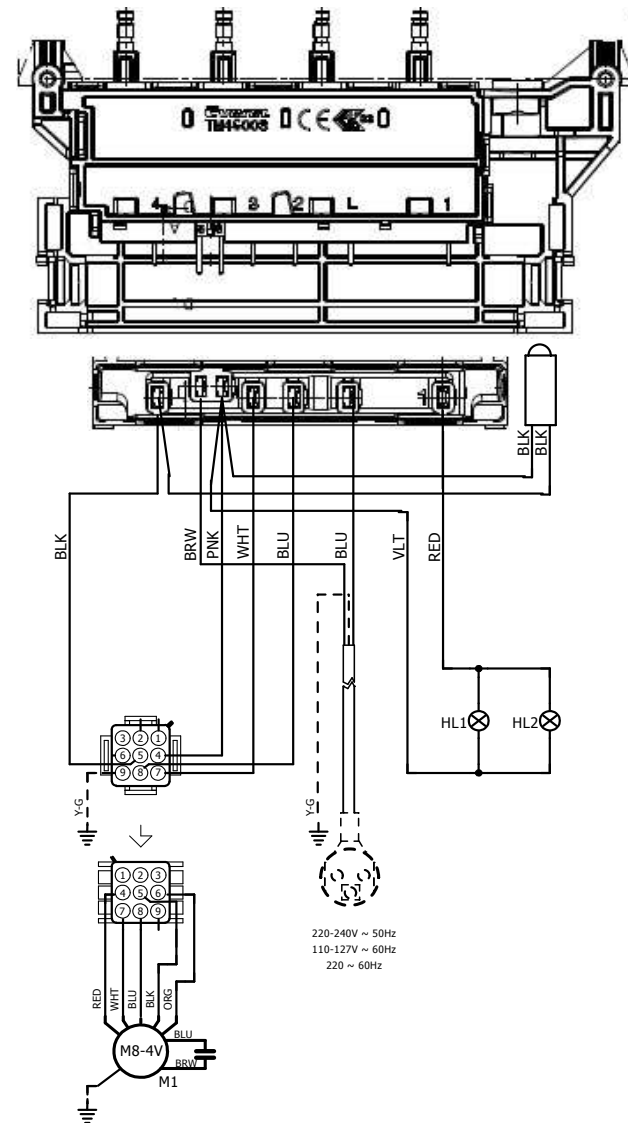


- | | | | |
|-----------|---------------------|-----------|-------------------|
| I | Schema Elettrico | NL | Schema Electrisch |
| GB | Electric Diagram | E | Esquema Eléctrico |
| F | Schéma Electrique | PT | Esquema Eléctrico |
| D | Schema Elektrisch | TR | Elektrik Şeması |
| PL | Schemat elektryczny | | |



991.0487.995 - H90-327
D0003725_01

- | | | | |
|-----------|---------------------|-----------|-------------------|
| I | Schema Elettrico | NL | Schema Electrisch |
| GB | Electric Diagram | E | Esquema Eléctrico |
| F | Schéma Electrique | PT | Esquema Eléctrico |
| D | Schema Elektrisch | TR | Elektrik Şeması |
| PL | Schemat elektryczny | | |



991.0487.995 - H90-327
D0003725_01