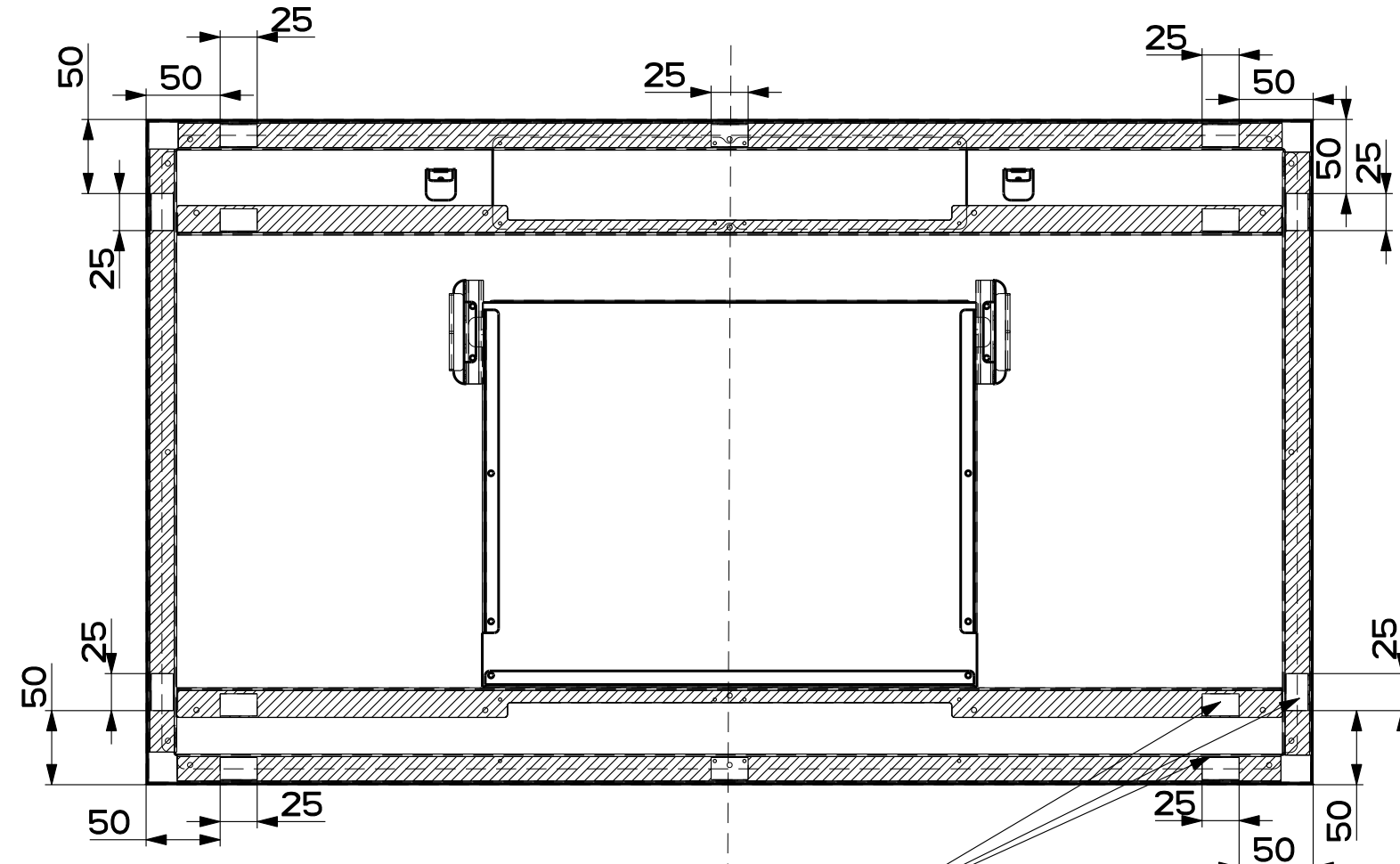


CORNICE SENZA VETRO: AREA DI INCOLLAGGIO
FRAME WITHOUT GLASS: GLUING AREA



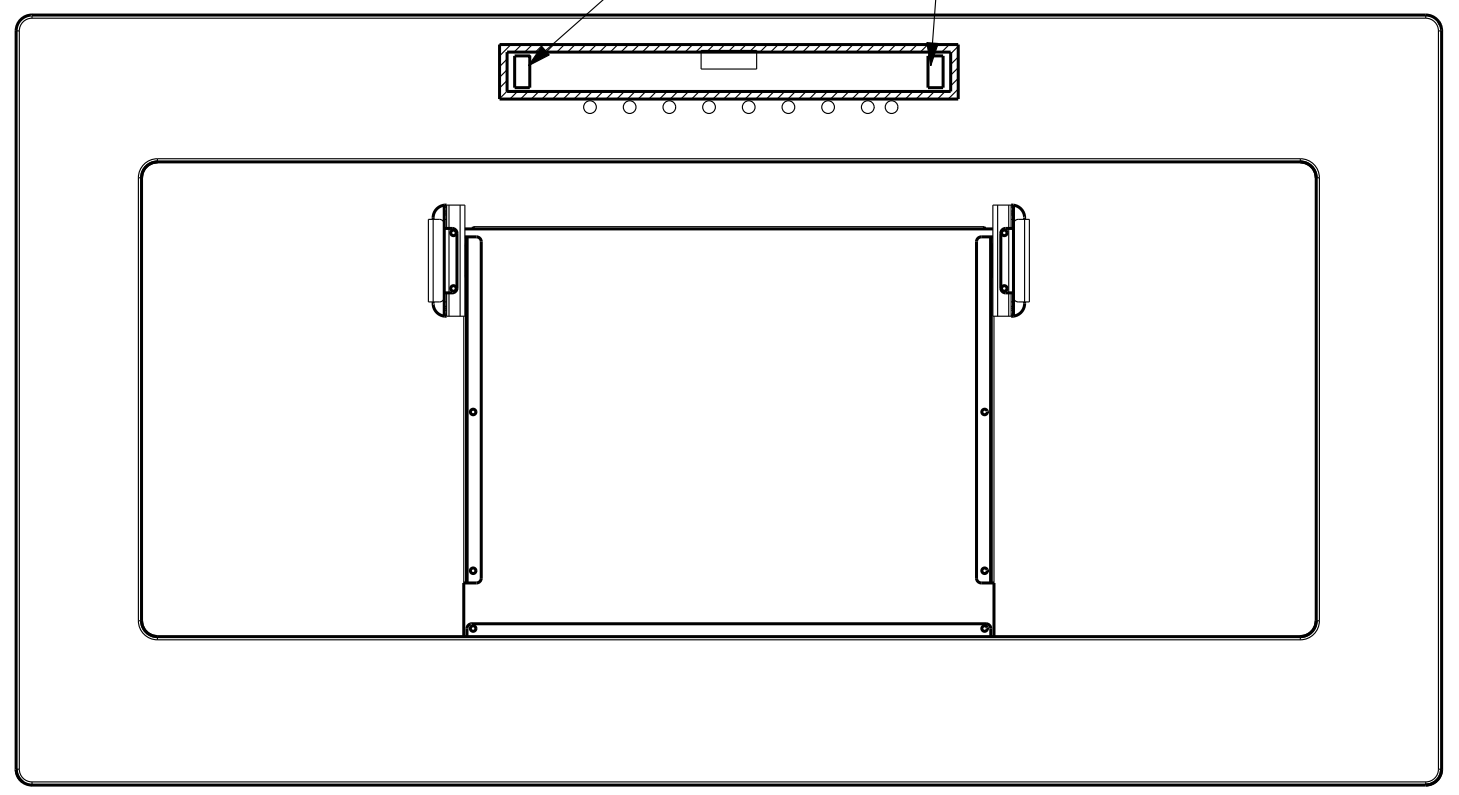
AREA DI INCOLLAGGIO - GLUING AREA
 BIADESIVO / DOUBLE TABLE

COLLANTE MS POL. TECNO

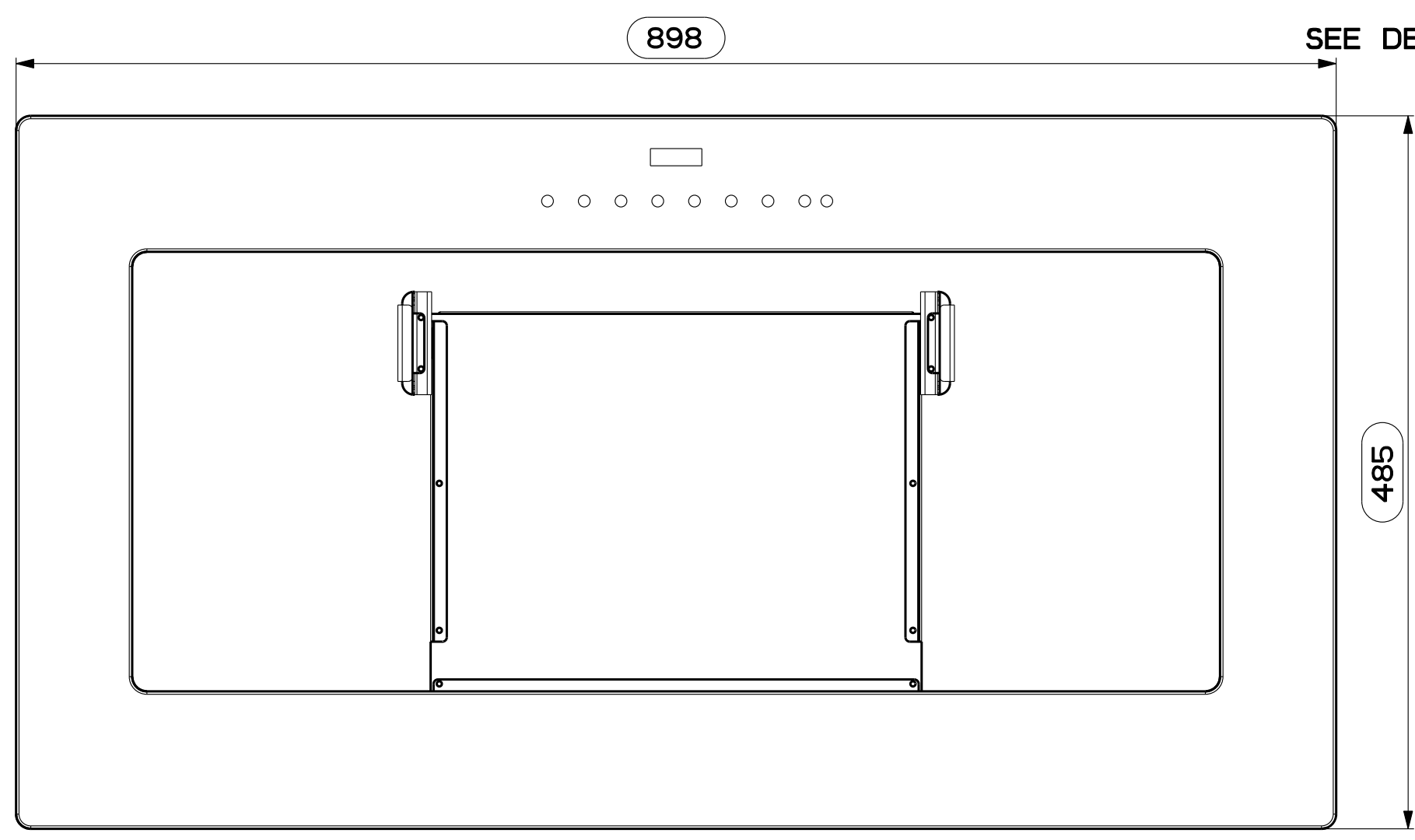
415000446 BIADESIVO 25x33 XATM6620 AVERY

MOVIMENTARE DOPO 24 ORE - MOVED AFTER 24 HOURS

415000446 BIADESIVO
 25x33 XATM6620 AVERY

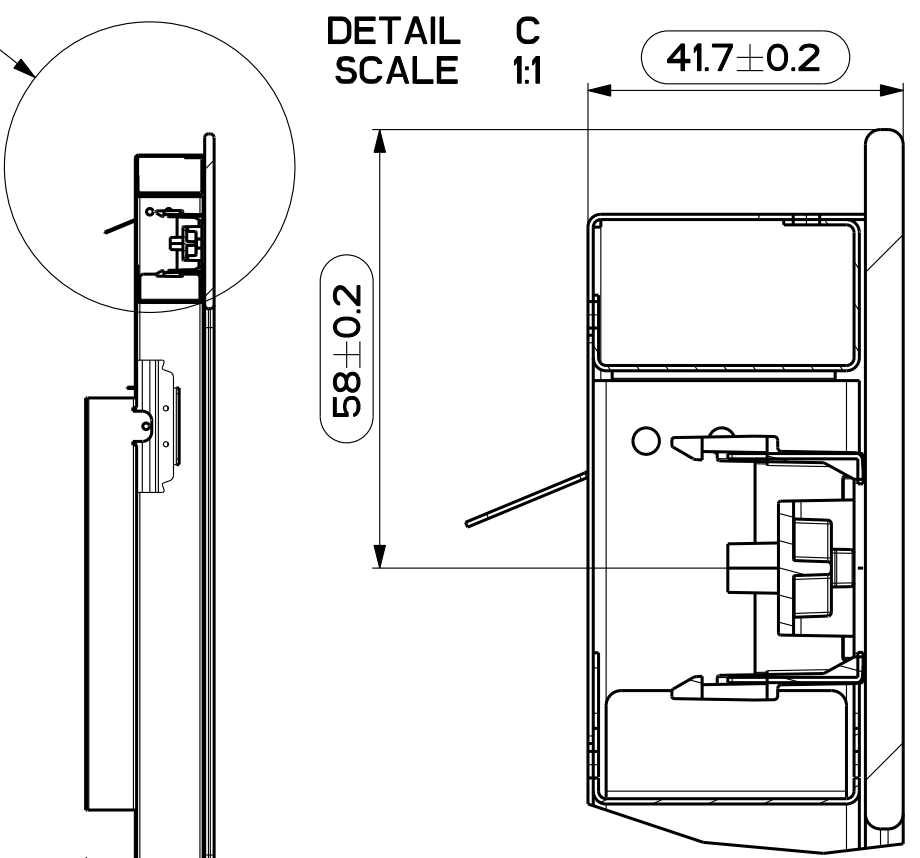


415000446 BIADESIVO
 25x33 XATM6620 AVERY



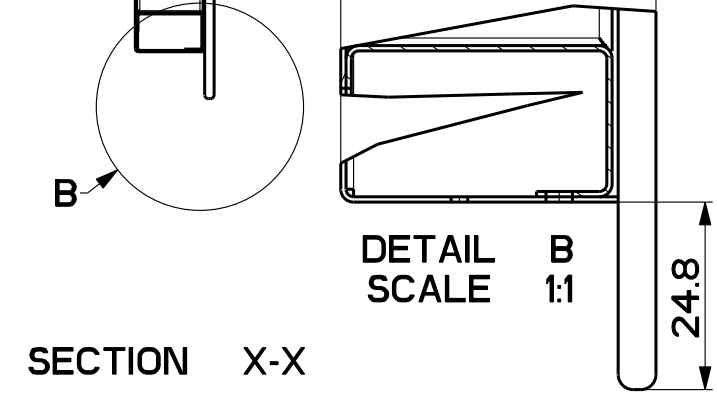
SEE DETAIL C

DETAIL SCALE C 1:1

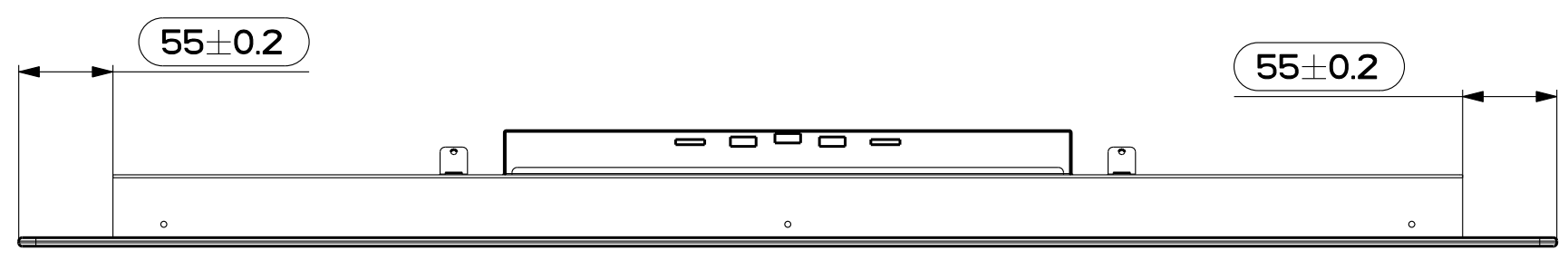
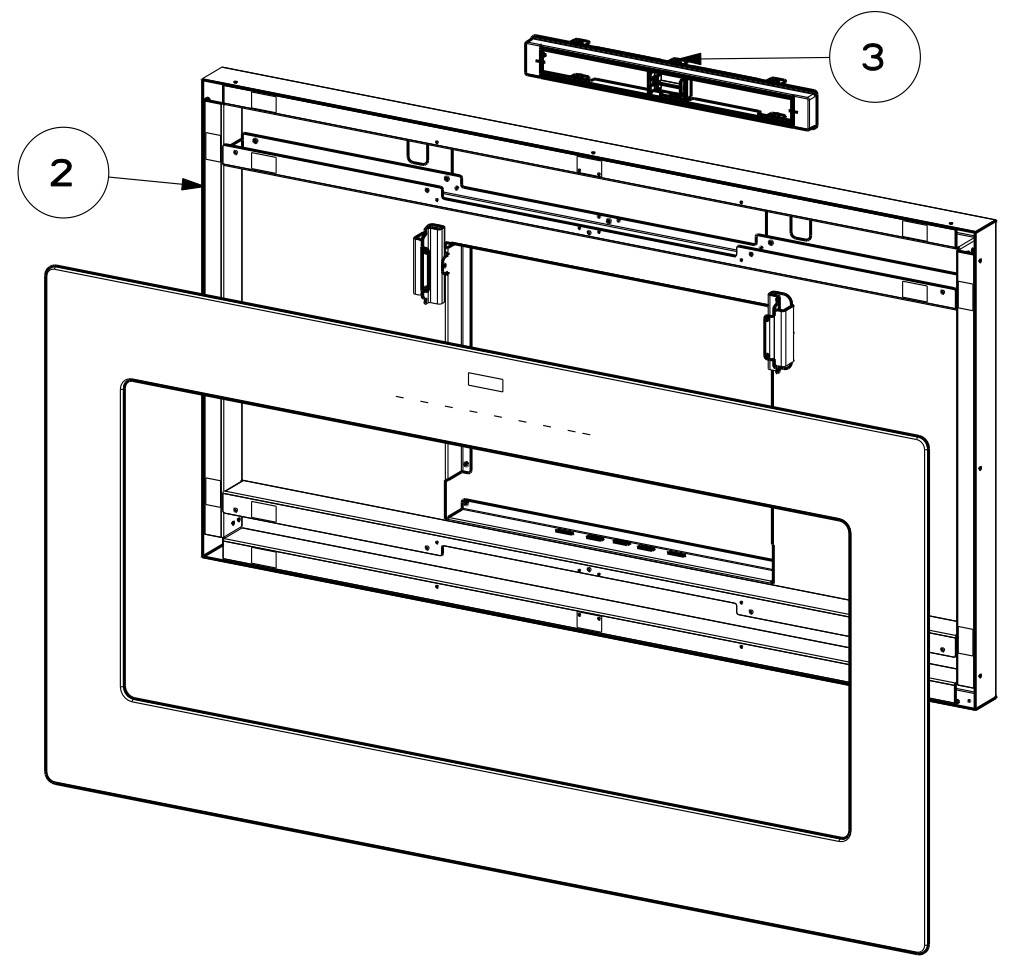


SEE DETAIL B

DETAIL SCALE B 1:1



SECTION X-X



INDEX	DRAWING N.	REV.	DESCRIPTION	Q.TY
1	47A_097	01	GLASS CONTROL FK 90 FLUSH LOW	1
2	76A_711	02	ASSEMBLY FRAME FLUSH BSH 90	1
3	K13_011	02	CONTROLS BRACKET	1

TOLERANCE CLASSES		GENERAL TOLERANCE LINEAR DIMENSION							Created by Solutions	
ISO 2768-1		0.5-3	3-6	6-30	30-120	120-400	400-1000	1000-2000	Creation date 17-Apr-2015 12:23	
FINE	-	±0.05	±0.05	±0.1	±0.15	±0.2	±0.3	±0.5	Modif.by Solutions	
MEDIUM	X	±0.1	±0.1	±0.2	±0.3	±0.5	±0.8	±1.2	Modif. date 16-Oct-2015 10:32	
COARSE	-	±0.2	±0.3	±0.5	±0.8	±1.2	±2	±3	Doc.Type ASSEM	
VERY COARSE	-	±0.5	±1	±1.5	±2.5	±4	±6	±10	Approved by Romani, Fabio	
Modification description		CHANGED EDGES FINITURE							Approval date 19-Oct-2015	
FABER		Denomination							Doc. status Released	
futurum		ASSEMBLY GLASS CONTROL FK FLUSH LOW 90							Drawing N. 47A_841	
Lang EN		Scale 1:1		Form A2		Sheet 1/1		Rev 01		